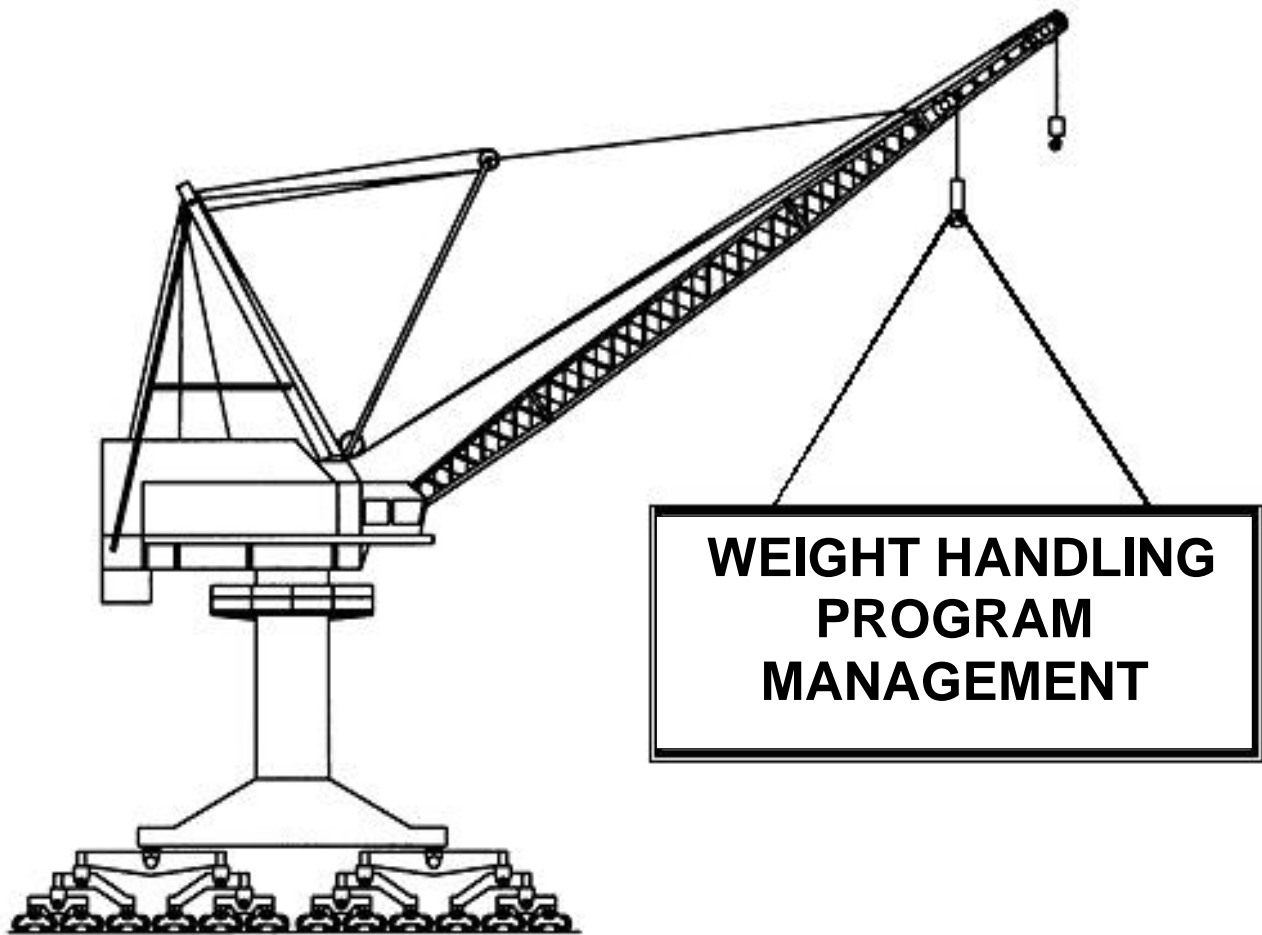


# NAVFAC

Naval Facilities Engineering Command

NAVY CRANE CENTER



## NAVFAC P-307

JUNE 2016

NAVFAC P-307 can be downloaded from <https://www.navfac.navy.mil/ncc>. To order printed copies, visit <https://nll.ahf.nmci.navy.mil> (PKI digital certificate required) or contact:

NAVSUP Weapon Systems Support  
700 Robbins Avenue  
Philadelphia, PA 19111-5098  
Phone: (215) 697-2626  
DSN: 442-2626

Stock Number - 0525-LP-109-7546

Due to increased DoD security requirements, a System Authorization Access Request (SAAR) must be submitted in order to gain access to the Naval Logistics Library. Contact the NAVSUP Weapon Systems Support helpdesk above for information on the SAAR process and forms.

## FOREWORD

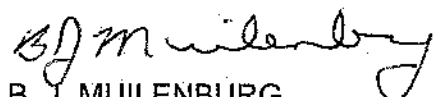
This publication provides the uniform Navy program for the management, maintenance, inspection, testing, certification, alteration, repair, and operation of weight handling equipment (WHE) at Navy shore installations and Navy owned WHE at non-Navy installations. Its purpose is to ensure the equipment is safe to operate; to ensure weight handling operations are conducted safely and efficiently; and to ensure optimum equipment service life.

SECNAVINST 11260.2 assigns overall Navy-wide management responsibility for shore based WHE to the Commander, Naval Facilities Engineering Command (COMNAVFACENGCOM) and authorizes the establishment of the Navy Crane Center. The Director of the Navy Crane Center has direct access to the Chief of Naval Operations and the Assistant Secretary of the Navy for Energy, Installations, and Environment on matters involving the safe, reliable operation of Navy WHE. SECNAVINST 11260.2 requires commands to develop and maintain WHE programs in accordance with the policies and directives issued by COMNAVFACENGCOM.

Navy Crane Center responsibilities include: procuring designated types of WHE in accordance with NAVCRANECENINST 11450.1; establishing policy regarding design, maintenance, testing, certification, and operation of WHE; establishing training and qualification requirements for WHE personnel; evaluating activities who own or operate WHE; validating activity certifications for cranes in special programs; certifying WHE and related equipment for which accredited certification is required by OSHA standards; tracking equipment deficiency trends and issuing crane safety advisories and deficiency notices; collecting data on crane accidents, investigating severe accidents, and disseminating lessons learned; reviewing and approving crane alterations; maintaining configuration control of designated WHE; and providing in-service engineering support.

This publication incorporates industry standards, where appropriate, as directed by SECNAV and COMNAVFACENGCOM policy. Deviation from these criteria shall not be made without prior approval of the Navy Crane Center.

This publication supersedes NAVFAC P-307 of June 2009, including Changes 1, 2, and 3. Changes are annotated on each applicable page and are explained in the Change Synopsis. Unless otherwise directed, Navy shore activities shall achieve full compliance with the changes identified within one year. Administrative changes to activity documents to ensure they comply with the new section and paragraph numbers shall be completed within three years.



B. J. MUILENBURG  
Rear Admiral, CEC, U.S. Navy  
Commander  
Naval Facilities Engineering Command

## ACKNOWLEDGMENTS

Permission to reprint specific portions of the following documents has been granted by the American Society of Mechanical Engineers.

ASME B30.2, Overhead and Gantry Cranes (Top Running Bridge, Single or Multiple Girder, Top Running Trolley Hoist)

ASME B30.4, Portal and Pedestal Cranes

ASME B30.5, Mobile and Locomotive Cranes

ASME B30.6, Derricks

ASME B30.8, Floating Cranes and Floating Derricks

ASME B30.9, Slings

ASME B30.11, Monorails and Underhung Cranes

ASME B30.17, Cranes and Monorails (With Underhung Trolley or Bridge)

ASME B30.22, Articulating Boom Cranes

ASME B30.24, Container Cranes

Reprinted from ASME B30.2-2011, B30.5-2014, B30.8-2004, B30.9-2003, B30.11-2004, B30.17-2006, B30.17-2015, B30.22-2005, and B30.24-2013, by permission of The American Society of Mechanical Engineers. All rights reserved.

## CHANGE RECORD

This page is provided for recording of future changes to this version of P-307.

Change No.	Date	Title or Brief Description	Entered By

## CHANGE SYNOPSIS

This change synopsis is intended to assist the user in determining the changes to the previous version of NAVFAC P-307. Changes in the text are indicated by change bars in the left margin. Paragraph and page number only changes are not identified in the change synopsis but are identified by change bars. This revision has been extensively revised from the previous edition and users should carefully read the entire revised paragraph.

Title Changed title to more accurately reflect contents of NAVFAC P-307.

Throughout Updated web addresses, e-mail addresses, and phone numbers.

Foreword Changed “auditing” to “evaluating”, “significant” to “severe”, and allowed more time for complying with administrative changes.

Table of Contents Updated to reflect changes to document.

Paragraph 1.1 Added program management.

Paragraph 1.1.1 Clarified that NAVFAC P-307 is written for non-emergent operations.

Paragraph 1.2.e Added program management.

Paragraph 1.3.1 Editorial changes.

Paragraph 1.3.1 Various clarifications of covered cranes. Change in categorization of portable hoist.

Paragraph 1.3.2 Addition of section 13, entertainment hoists.

Paragraph 1.3.3 Change in categorization of portable hoists. Addition of notes.

Paragraph 1.3.4 Clarification of non-applicable equipment.

Paragraph 1.4 Clarification. Special definitions moved to appendix A.

Paragraph 1.5 Editorial.

Paragraph 1.6 Clarification in accordance with interim policy change. Third party certification requirements moved to section 4.

Paragraph 1.7 Clarification. Contractor crane requirements moved to section 11.

Paragraph 1.9 Editorial.

Paragraphs 1.11 and 1.12 Moved to section 2.

Figure 1-1, page 2 of 2, item 9 Clarified approval requirement.

Section 2 New section with new program management requirements along with relocated paragraphs from sections 1 and 11.

Paragraph 2.1 New requirements for weight handling program manager.

Paragraph 2.2 New requirements for designation of weight handling program manager.

Paragraph 2.3 Relocated from paragraph 1.12. Clarification and expectations of implementing instructions.

Paragraph 2.4 Relocated from paragraph 1.11. Clarification and new requirements for self-assessments.

Paragraph 2.5 New requirements for metrics.

Paragraph 2.6 New requirements for monitor (observation) program.

Paragraph 2.7 New requirements for crane replacement and modernization plan.

Paragraph 2.8.1 Relocated from paragraph 11.7. Additional requirements for lockout tagout procedures.

Paragraph 2.8.2 Relocated from paragraph 11.7. Additional requirements for equipment tagging procedures.

Paragraph 2.9 Relocated from paragraph 11.8. Editorial.

Paragraph 2.10 New requirements for indoor operation of mobile WHE.

Section 3 Changed title and relocated from section 2.

Paragraph 3.1 Clarification. New allowance for mechanics and electricians to perform some inspections.

Paragraph 3.2 Clarification.

Paragraph 3.2.1 Clarification.

Paragraph 3.2.2 Clarified that addition of new components require updated information.

Paragraph 3.3 Editorial.

Paragraph 3.3.1 Editorial.

Paragraph 3.3.2 New maintenance precautions added.

Paragraph 3.3.3 Clarification.

Paragraph 3.3.5 Clarification.

Paragraph 3.4 Editorial.

Paragraph 3.4.1 Clarification.

Paragraph 3.4.1.1 Clarification.

Paragraph 3.4.2 Editorial.

Paragraph 3.5 Editorial.

Paragraph 3.5.2 Editorial.

Paragraph 3.5.3 Editorial.

Paragraph 3.5.5 New requirement for brake maintenance on microprocessor controlled cranes.

Paragraph 3.6 Editorial.

Paragraph 3.7 Editorial.

Paragraph 3.8 New requirement for boom securement for out-of-service derricks.

Figure 3-1 Change in Navy Crane Center Use boxes. Addition of e-mail.

Section 4 Relocated from section 3.

Paragraph 4.1 Editorial.

Paragraph 4.2 Editorial.

Paragraph 4.3 Clarification. Requirement of when certification must be signed after load test is complete is now defined.

Paragraph 4.4 Clarification of maintenance lift requirements.

Paragraph 4.4.1 Clarification.

Paragraph 4.4.3 Additional items added to list not requiring recertification.

Paragraph 4.4.4 New paragraph detailing policy for certification of newly procured cranes.



Paragraph 4.5 Clarification.

Paragraph 4.5.1 Extended certification extension period to 60 days.

Paragraph 4.5.2 Expanded exception to repairs of non-load-bearing components.

Paragraph 4.5.2.c Editorial.

Paragraph 4.5.3.c Clarification on use of AEP.

Paragraph 4.5.3.e and f Editorial

Paragraph 4.5.3.g Clarification.

Paragraph 4.5.3.i, .j, and Note Clarifications.

Paragraph 4.5.3.1 Editorial.

Paragraph 4.5.3.1.1 Clarification.

Paragraph 4.5.3.1.2 and .3 Editorial.

Paragraph 4.5.3.1.4 New allowances for other uses of AEPs.

Paragraph 4.5.4 Clarification, addition of 45 day maximum process length.

Paragraph 4.5.5 Revised to match new load test guidelines.

Paragraph 4.5.6 Clarification.

Paragraph 4.5.6.a and .b Editorial.

Paragraph 4.5.7 Revised to distinguish between known and unknown overloads and reduce load testing.

Paragraph 4.6 Editorial.

Paragraph 4.6.1 Relocated from paragraph 9.1.2.5 Note, applies to all floating cranes.

Paragraph 4.7 Clarification.

Paragraph 4.7.1 Change in test load tolerance for all cranes. Change in nominal test load for mobile cranes, locomotive cranes, aircraft crash cranes, mobile boat hoists, rubber-tired gantry cranes, and category 4 cranes.

Paragraph 4.7.1.1 Editorial.

Paragraph 4.7.2.1 Editorial.

Paragraph 4.8 Relocated from paragraph 1.6. Clarification.

Paragraph 4.8.1 Relocated from paragraph 1.6.1. Clarification.

Paragraph 4.8.2 Relocated from paragraph 1.6.2. Clarification.

Paragraph 4.9 Clarification.

Paragraph 4.9.1 Clarification. Addition of floating structure design criteria.

Paragraph 4.9.3 New freeboard requirement. Allowance for reduced testing with engineering involvement.

Paragraph 4.9.3 Editorial.

Paragraph 4.9.4 Editorial.

Paragraph 4.9.5 Editorial.

Paragraph 4.9.6 Editorial.

Paragraph 4.9.7 New requirement for freeboard and submerged bottom area.

Paragraph 4.9.8 New exception for multiple identical cranes on a specific barge.

Figure 4-1 Crane Condition Inspection Record Added additional required information for quadrennial load test, date of previous load test, and hook material and manufacturing method.

Figure 4-3 Crane Condition Inspection Record

Items (4), (8), and (20) Editorial.

Item (5) Requirements for secondary controllers and allowance for inspection during MISR.

Item (7) Addition of secondary limit switch. Clarification.

Item (15) Clarification.

Item (21) Allowance for inspection during MISR.

Additional Inspector signature blocks added.

## Table 5-1

Item (1) Editorial.

Item (1.4) Editorial.

Item (2) Additional requirement for third party certified cranes.

Items (3), (3.1), (3.3) and (4) Editorial.

Items (5) and (6) Clarification.

Items (7) through (32) Editorial.

Item (34) New requirement for service and operational bulletins.

Item (35) New requirement for documentation of barge maintenance.

Item (36) New requirement for documentation of one-time hoist secondary limit switch test.

Section 6 Changed title and relocated from section 4. Contains paragraphs relocated from section 11 in prior revisions.

Paragraph 6.2 Clarification.

Paragraph 6.2.2 Editorial.

Paragraph 6.3 Editorial.

Paragraph 6.4.1.2 Clarification.

Paragraph 6.4.2 Clarification.

Paragraph 6.4.2.a Editorial.

Paragraph 6.4.2.b Editorial.

Paragraph 6.4.2.c Clarification.

Paragraph 6.4.2.d Clarification.

Paragraph 6.4.2.e Clarification of existing expectation.

Paragraph 6.4.2.f Editorial.

Paragraph 6.4.2.g Editorial.

Paragraph 6.4.3 Note Editorial.

Paragraph 6.4.4 Editorial.

Paragraph 6.4.5 Editorial.

Paragraph 6.4.5.e CSA 121a requirement relocated and defined.

Paragraph 6.4.5.1 Clarification.

Paragraph 6.4.5.1.b New requirement for auto-tuning of microprocessor drives.

Paragraph 6.4.5.1.c New requirement for updating of firmware.

Paragraph 6.4.5.2 Editorial.

Paragraph 6.4.5.2.1.c Addition of motor torque.

Paragraph 6.4.6.1 Editorial.

Paragraph 6.4.7.a Clarification.

Paragraph 6.6 Clarification. Relocated from paragraph 11.1.

Paragraph 6.7 Editorial. Relocated from paragraph 11.2.

Paragraph 6.7.1 Relocated from paragraph 11.2.1.

Paragraph 6.7.2 Relocated from paragraph 11.2.3.

Table 6-1 Relocated from table 11-1. Removed locomotive crane data.

Paragraph 6.7.3 Relocated from paragraph 11.2.4.

Paragraph 6.7.4 Relocated from paragraph 11.2.5.

Paragraph 6.7.5 Relocated from paragraph 11.2.6. Added backward stability requirement.

Paragraph 6.8 Relocated from paragraph 11.3.

Paragraph 6.9 Relocated from paragraph 11.4.

Paragraph 6.9.1 Relocated from paragraph 11.4.1. Clarification.

Paragraph 6.9.2 Relocated from paragraph 11.4.2. Added exceptions and clarifications.

Paragraph 6.9.3 New requirements for inspection of used wire rope.

Paragraph 6.9.4 Relocated from paragraph 11.4.3.

Paragraph 6.9.4.1 Relocated from paragraph 11.4.3.1.

Paragraph 6.9.4.1.d Clarification.

Paragraph 6.9.4.1.d(3) Clarification.

Paragraph 6.9.4.1.d(4) New exception for specific design of wedge socket.

Paragraph 6.9.4.1.d(5) Clarification.

Paragraph 6.9.5 Relocated from paragraph 11.4.4. Editorial.

Paragraph 6.9.6 New requirements for proof loading of end connections.

Paragraph 6.10 Relocated from paragraph 11.5. Renamed and clarified. Addition of microprocessor drive and administrative down rating requirements.

Paragraph 6.11 Relocated from paragraph 11.6.

Paragraph 6.12 New requirement for crane clearances.

Figure 6-1 Addition of additional data boxes.

Section 7 Relocated from section 13.

Paragraph 7.1 Editorial.

Paragraph 7.2 Clarification.

Paragraph 7.2.1 Clarification. Passing grade changed to 80 percent for all courses.

Paragraph 7.2.2 Clarification. 180 day exception reduced to 90 days.

Paragraph 7.2.3 Clarification.

Paragraph 7.2.5 New recommendation. Clarification.

Paragraph 7.2.6 Editorial.

Paragraph 7.2.7 Editorial.

Paragraph 7.2.8 Clarification.

Paragraph 7.2.9 Editorial.

Paragraph 7.3 Editorial.

Table 7-1 Clarified and updated as follows:

1. Combined notes 1 and 2; renumbered other notes accordingly.
2. Added note 5 to clarify rigging training requirements.
3. Removed the unused portions of the tables on each page leaving operations and rigging on one side and maintenance/inspection on the other side.
4. Removed the NKO catalog numbers. NKO is no longer used and has been replaced by NeL (Navy eLearning). Additionally course catalog numbers change from time-to-time.
5. Added Mobile Boat Hoist and Rubber-Tired Gantry cranes as a separate job function from the category 1 and 4 operators because different training is allowed for this function.
6. Removed the “elective” assignment from Certifying Official and Contractor Crane Awareness and made them mandatory courses for their respective job functions.
7. Reworded and clarified the job function description for Contracting Officer Representative.
8. Changed the title of the table to more accurately reflect its contents and purpose.
9. Changed the table number (from 13-1 to 7-1) to agree with the 2016 revision layout.
10. Changed the name of the “Crane Rigger” training course to “Rigging Practices”.
11. Made minor typo, font, and spelling corrections.

Section 8 Previous sections 6, 7, and 8 combined and retitled.

Paragraph 8.1 Clarification on cranes operated on public roads and host nation licensing.

Paragraph 8.1.1 Editorial.

Paragraph 8.1.2 Contractor personnel operating Navy mobile, tower, and commercial truck mounted cranes must now be certified or qualified in accordance with OSHA construction standards.

Paragraph 8.1.3 Clarification.

Paragraph 8.2.1 Editorial.

Paragraph 8.2.2 Clarification.

Paragraph 8.2.3 Clarification.

Paragraph 8.2.4 Editorial.

Paragraph 8.2.5 Editorial.

Paragraph 8.3 Editorial.

Paragraph 8.4.1 Clarification of equivalent physical requirements. Elimination of Navy medical personnel from requirement to be on registered list.

Paragraph 8.4.1.1 Clarification.

Paragraph 8.4.1.2 Editorial.

Paragraph 8.4.1.3 Clarification.

Paragraph 8.5 Editorial.

Paragraph 8.7 Editorial.

Paragraph 8.7.1 Editorial.

Paragraph 8.7.2 Clarification. Removed appendix G, H, and I questions from these examinations as they are contained in NCC courses.

Paragraph 8.7.2.1 Editorial.

Paragraph 8.7.2.2 Passing grade changed to 80 percent.

Paragraph 8.7.3 Performance tests now required for each category, type, and capacity of crane as noted in paragraph 8.7.3.1.

Paragraph 8.7.3.1 New paragraph identifying types and capacities of cranes for performance tests.

Paragraph 8.7.3.2 Clarification.

Paragraph 8.7.3.3 Editorial.

Paragraph 8.7.3.4 Editorial.

Paragraph 8.7.3.5 Clarification.

Paragraph 8.8.1 Clarification that a separate application for each type of crane is required.

Paragraph 8.8.2 Editorial.

Paragraph 8.8.3.b Editorial.

Paragraph 8.9 Editorial.

Paragraph 8.9.1.2 Editorial.

Paragraph 8.9.2 Addition of capacities.

Paragraph 8.9.2.1 Clarification.

Paragraph 8.9.2.3 Clarification.

Paragraph 8.9.2.4 Editorial.

Paragraph 8.9.2.5 Editorial.

Paragraph 8.9.3 Clarification.

Paragraph 8.9.4 Editorial.

Paragraph 8.9.5 Editorial.

Paragraph 8.9.6 Editorial.

Paragraph 8.10 Clarification.

Paragraph 8.11 Clarification.

Paragraph 8.11.1 Clarification.

Paragraph 8.11.1.1.c Editorial.

Paragraph 8.11.1.1.d Addition of capacity to performance test. Clarification of documentation for waiving performance test.

Paragraph 8.11.2 Clarification.

Paragraph 8.11.3 Editorial.

Paragraph 8.12.a, b, and c Editorial.

Paragraph 8.12.d Addition of waivers to files.

Paragraph 8.12.f Addition of capacity to performance test.

Paragraph 8.12.h Clarification of waiver documentation.

Figure 8-3 Updated form to reflect requirements, add capacity, and remove PII.



Paragraph 9.1 Clarification of supervisor's review. Re-ordered for clarity.

Paragraph 9.1.2 Editorial.

Paragraph 9.1.2.1.1 Clarified of walk around check for non cab-operated cranes, and that uncertified cranes shall not be operated.

Paragraph 9.1.2.1.1.e, f, and g Clarification that crane team riggers may check item.

Paragraph 9.1.2.1.1.l, m, n, and o Editorial.

Paragraph 9.1.2.1.1.r, and s Added items to ensure posted tags and instructions are available, read, and understood.

Paragraph 9.1.2.1.2 Clarification of safe access means and addition of term machinery area.

Paragraph 9.1.2.1.2.a, b, f, g, and j Editorial.

Paragraph 9.1.2.1.3 Added restriction on carrying articles.

Paragraph 9.1.2.1.3.g Added fire extinguisher familiarization requirements.

Paragraph 9.1.2.1.3.j Added requirement to ensure required instructions are available in the cab and understood.

Paragraph 9.1.2.1.3.k Added housekeeping requirement.

Paragraph 9.1.2.1.4.a Clarification of travel areas to be checked.

Paragraph 9.1.2.1.4.b Editorial.

Paragraph 9.1.2.1.4.d Clarification on control mechanism check.

Paragraph 9.1.2.1.4.h Clarification on when lower limit switch checks are not required. Clarification on checks for hoists with overload clutches or two-block damage prevention features.

Paragraph 9.1.2.1.5 Checks apply to all floating cranes. Annual checks moved from ODCL to CCIR.

Paragraph 9.2.a Clarification that category 3 non-cab operated cranes shall use the checks and exceptions of paragraphs 9.1 and 9.1.2.1.

Paragraph 9.2.b Editorial.

Paragraph 9.3.1 and 9.3.2 Editorial.

Figure 9-1 Updated as described in section.

Paragraph 10.1 Editorial.

Paragraph 10.1.1 Editorial.

Paragraph 10.2 Addition of signal persons to crane team. Reference to Appendix N.

Paragraph 10.2.1.1 Clarified intent of RIC's functions.

Paragraph 10.2.1.2 Clarified wording of "crane rigger" to "rigger".

Paragraph 10.2.1.3 Clarified number of crane walkers required.

Paragraph 10.2.1.4 Added signal person responsibilities.

Paragraph 10.2.2 Added signal person.

Paragraph 10.2.2.1 Editorial.

Paragraph 10.2.2.2 Added recommendation on training and posting of operational characteristics for newer cranes.

Paragraph 10.2.2.3 Clarification of requirements for cranes without lower limit switches and cranes that do not require lower limit switch testing.

Paragraph 10.2.2.3.1 and subparagraphs Editorial.

Paragraph 10.3 and 10.3.1 Editorial.

Paragraph 10.4 Editorial.

Paragraph 10.4.1.d Clarified that capacity is certified capacity.

Paragraph 10.4.1.f Clarified types of multiple crane of hook lifts excepted from requirement.

Paragraph 10.4.1.h Added suction and frozen loads to binding conditions.

Paragraph 10.4.1.2 Clarified supervisor review and oversight for newly assigned personnel and specific lifts.

Paragraph 10.4.2 Editorial.

Paragraph 10.5 Added operator verification of controls and advance warning.

Paragraph 10.5.1 Added operator to person who should know estimate of load weight. Separated this paragraph from 10.5.

Paragraph 10.5.2 Separated this paragraph from 10.5, added slack line condition, damage to load, pre-tensioning, and examples of other control means. Clarified that chainfalls or other control means shall be used. Added LID requirements for integral LID's and accuracy requirements.

Paragraph 10.5.3 Renamed and moved paragraph that was previously part of 10.5 to better reflect content.

Paragraph 10.5.4 Added inspection of pallets, boxes, and other items prior to lifting.

Paragraph 10.6 New requirement for inspection after slack line condition.

Paragraph 10.7 Clarification that only one rigger/signaler shall communicate at a time. Clarification on communication at Navy activities in foreign countries.

Paragraph 10.7.1 Additional communication requirements for multiple-crane lifts.

Paragraph 10.8 Clarification. Addition of reference to operator turnover. Addition of caution on twisted hoist rope or chain, wrapping of hoist rope, warning personnel, and using a horizontal winch.

Paragraph 10.8.1 Editorial. Caution on pinch points.

Paragraph 10.8.2 Editorial.

Paragraph 10.8.3 Requirement to follow OEM requirements and AEP's added.

Paragraph 10.8.3.2 Editorial.

Paragraph 10.8.3.4 Editorial.

Paragraph 10.8.3.5 Requirement added to contact utility for power lines over 1000kV.

Paragraph 10.8.4 Precaution added for welding on a load attached to a crane.

Paragraph 10.9 Restrictions added for lifting personnel along with exceptions for rescue of personnel.

Paragraph 10.9.c and d Clarification of fall protection requirements.

Paragraph 10.9.2.1 and 10.9.2.2 and 10.9.2.3 Editorial.

Paragraph 10.10 Editorial.

Paragraph 10.10.1 Added recommendation for certain indoor cranes.

Paragraph 10.11 Combined previous paragraphs 10.5.2 and 10.10, and added clarification along with block strength requirements.

Paragraph 10.12 Added requirements for minimum clearances on ground level rail mounted cranes.

Paragraph 10.13 Editorial

Paragraph 10.13.2 Required dedicated spotter to meet training and competency requirements of a crane signal person.

Paragraph 10.13.3.a and d Clarification.

Paragraph 10.13.4 Editorial.

Paragraph 10.13.5 Editorial.

Paragraph 10.13.6 Clarified difference between traveling and transiting under power lines.

Paragraph 10.15 Editorial.

Paragraph 10.16 Editorial.

Paragraph 10.17 Added precaution against sudden raising of boom to maximum boom angle.

Paragraph 10.18 Editorial.

Paragraph 10.19 New requirements for operator turnover with a suspended load.

Paragraph 10.20 Clarification and additional guidance.

Paragraph 10.21 Exemption provided for certain MHE attachments. Clarification.

Figure 10-3 Editorial.

Section 11 Previous paragraphs from section moved to engineering or program management, as appropriate. Section is now the Contractor And Other Non-Navy Owned Cranes section .

Paragraph 11.1 Previously paragraph 1.7.2. Added exception for specific types of cranes that are delivering supplies only and cranes on mechanic's trucks performing maintenance.

Paragraph 11.1.a Provided additional examples of ANSI and ASME standards.

Paragraph 11.1.b Additional certification required for safety devices enabled and properly functioning, and personnel trained to not stand under or in fall zones of suspended loads.

Paragraph 11.1.c Clarified requirements for Navy activities in foreign countries.

Paragraph 11.1.e New exception permitted with written approval from PE. Note permitting exemption of specific MHE attachments.

Paragraph 11.1.g Addition of specific lifts to critical lifts.

Paragraph 11.1.g(5) and (7) Clarified requirements for Navy activities in foreign countries.

Paragraph 11.1.k Requirement for rigger certification.

Paragraph 11.1.l Relocation and editorial changes to existing tower crane documentation requirements.

Paragraph 11.1.m and subparagraphs New requirements applying to contracts for work on telecommunication towers or contracts with personnel hoists.

Paragraph 11.1.n Allowance for use of U.S. Army Corps of Engineers EM-385-1-1 and UFGS-01 35 26 for construction contracts in lieu of specific paragraphs.

Paragraph 11.2 Relocated from paragraph 1.7.2.2.

Paragraph 11.2.a New minimum oversight requirement, requirement for contractor crane awareness training.

Paragraph 11.2.b Notification shall be by email.

Paragraph 11.2.c Near miss reporting required. Accident and near-miss reports shall be signed..

Paragraph 11.2.d Allowance for use of U.S. Army Corps of Engineers EM-385-1-1 forms for construction contracts in lieu of P-307 forms.

Paragraph 11.3 Rewrite of responsibilities for clarity, no new requirements.

Paragraph 11.4 Relocated from paragraph 1.7.

Paragraph 11.4.1 Changed title to clarify applicability. No new requirements. Requirement for contractors engaged in NAVSEA OP-5 operations is from NAVSEA OP-5.

Section 12 Title changed for clarity.

Paragraph 12.1 Additional introductory statements on significance of accident, near miss and unplanned occurrence investigation and reporting.

Paragraph 12.2 Addition of entertainment hoists.

Paragraph 12.3 Addition of significant accident definition.

Paragraph 12.4 and subparagraphs Clarification, addition of signal persons.

Paragraph 12.4.1 Added crane operation in lieu of weight handling operation as basis for crane accident.

Paragraph 12.4.1.c Clarification.

Paragraph 12.4.1.f Load test overload changed due to change in test load tolerance.

Paragraph 12.3.1.g Collision redefined as avoidable contact.

Paragraph 12.4.2 Removed exception that called a crane accident a rigging gear accident when the crane was not being operated at the time of the rigging gear accident. These are now crane accidents.

Paragraph 12.4.2.a Editorial.

Paragraph 12.4.2.b Added exception for mobile crane being configured and operated as a motor vehicle.

Paragraph 12.5 Clarification.

Paragraph 12.5.a Editorial.

Paragraph 12.5.b Clarification.

Paragraph 12.5.c Editorial.

Paragraph 12.5.e Provided examples.

Paragraph 12.5.g Clarification.

Paragraph 12.5.1 and subparagraphs Added rigging operation in lieu of weight handling operation as basis for rigging accident.

Paragraph 12.5.2 Clarification.

Paragraph 12.6.1 and subparagraphs Provided initial accident notification for severe accidents changed to eight hours. Provided e-mail contact and initial notification requirements.

Paragraph 12.6.2 Clarification.

Paragraph 12.7.1 Clarification. Additional near miss guidance provided

Paragraph 12.7.2 Clarification. Additional unplanned occurrence guidance provided.

Paragraph 12.7.3 Clarification on reporting of near misses and unplanned occurrences.

Figure 12-1 New form to match new requirements.

Figure 12-2 New form to match new requirements.

Section 13 New section providing requirements for entertainment hoists.

Paragraph 13.1 General requirement for entertainment hoists.

Paragraph 13.2 Identification requirements for entertainment hoists.

Paragraph 13.3 and subparagraphs Provides required design, testing, maintenance, operational, and equipment history file criteria for entertainment hoists.

Paragraph 13.4 Alteration requirements for entertainment hoists.

Paragraph 13.5 Review of existing entertainment hoists.

Paragraph 13.6 Procurement of entertainment hoists..

Paragraph 13.7 Accidents, near misses, and unplanned events that occur with entertainment hoists.

Paragraph 14.1 Clarification. Addition of rigging practices.

Paragraph 14.1.1 Added recommendation to mark integral lifting attachments with their allowable load. Clarified that usage practices shall be in accordance with section 14 when equipment is exempt from section 14. Added exemption for manual lifting.

Paragraph 14.1.2 Referenced various documents for procurement and design requirements.

Paragraph 14.2 Added exception for specific equipment.

Paragraph 14.3 Added exception for specific equipment. Clarified multiple part marking, OEM load, and locally fabricated marking requirements. Match-marking bails to pins for standard shackles no longer required.

Paragraph 14.3.1 Editorial.

Paragraph 14.4 Added exception for specific equipment. Added storage requirement. Added requirement for OEM provided gear used for continuing lifts of that OEM's product.

Paragraph 14.4.1 Added exception for specific equipment. Clarified requirement for slings and paragraph 14.8 equipment used in cargo transfer. Clarified use of pull test machines for testing. Changed test load tolerance cranes, crane structures, hoists/winches, portable floor cranes, portable gantry/A-frames, and trolleys.

Paragraph 14.4.1.3 Editorial.

Paragraph 14.4.1.4.f Added maximum storage period.

Paragraph 14.4.1.5 Clarified applicability.

Paragraph 14.4.2 Added recommendation for post-use inspection.

Paragraph 14.4.3 Added exception for chain slings. Increased extension period to 60 days.

Paragraph 14.4.4 Added weight handling program manager.

Paragraph 14.6 Addition of prohibition against repairs prohibited by OEM or ASME. Requirement for local approval.

Paragraph 14.7 Clarification.

Table 14-1 Change in inspection periodicity for beam clamps, blocks, eye bolts, eye nuts, links, portable padeyes, shackles, swivels, swivel hoist rings, and turnbuckles; removed test load percentages for blocks, eye bolts, eye nuts, links, portable LIDs, shackles, swivels, swivel hoist rings, and turnbuckles. Added trolleys and welded links and rings. Container spreaders are now part of below the hook devices. Added note on slings and paragraph 14.8 equipment used in cargo transfer. Added detail test requirements for portable floor cranes. Additional clarifications on other notes.

Table 14-2 Removed. Information provided in ASME B30.9.

Paragraph 14.7.1.1 and 14.7.1.2 Periodic inspection criteria changed to conform more closely with ASME B30.9 with specific additions.



Paragraph 14.7.1.3 ASME B30.9 referenced, duplicate criteria from ASME B30.9 removed.

Paragraph 14.7.2 Exception added for specific aluminum swaged connections.

Paragraph 14.7.2.1 Clarification.

Paragraph 14.7.2.2 ASME B30.9 referenced and duplicate criteria removed, addition of specific inspection criteria.

Paragraph 14.7.2.3 ASME B30.9 and OEM referenced. Slings fabricated from wire rope clips prohibited.

Paragraph 14.7.2.3.1 Editorial.

Paragraph 14.7.2.3.1.2 Removed restriction on splice location.

Tables 14-2 and 14-3 Editorial.

Figure 14-1 Addition of shackle recommendation.

Paragraph 14.7.2.3.2 Editorial.

Paragraph 14.7.3 Addition of marking requirement.

Paragraph 14.7.3.1 Clarification.

Paragraph 14.7.3.2 Addition of ASME B30.9 criteria and removal of duplicate criteria.

Paragraph 14.7.3.3 Addition of ASME B30.9.

Paragraph 14.7.4 Addition of thimble requirement. Clarification of stacking versus bunching. Addition of sling protection requirements for three different types of damage: abrasion, bearing, and cutting. Added training requirements for person responsible for rigging the load.

Paragraph 14.7.4.1.1 Clarification.

Paragraph 14.7.4.1.2 Added ASME B30.9 criteria and removed duplicates.

Paragraph 14.7.4.1.3 Added ASME B30.9 and OEM criteria and removed duplicates.

Paragraph 14.7.4.2.2 Added ASME B30.9 criteria and removed duplicates.

Paragraph 14.7.4.2.3 Added ASME B30.9 and other specific and removed duplicates.

Paragraph 14.7.4.3.1 Added ASME B30.9 criteria and removed duplicates.

Paragraph 14.7.4.3.3 Added ASME B30.9 criteria and removed duplicates.

Paragraph 14.7.4.3.3.b Changed WSTDA RS-2 to RS-1 to reflect latest guidance.

Paragraph 14.7.4.3.3.d Added WSTDA RS-1-HP, ASME B30.9, and OEM criteria and removed restriction on usage on pin no smaller than proof test pin.

Paragraph 14.8 Removed requirement for initial load test, documentation of periodic inspections, or additional marking or tagging of this equipment, except for specific equipment. Removed procurement requirements. Procurement requirements are in NAVCRANECENINST 11450.2.

Paragraph 14.8.1 Editorial.

Paragraph 14.8.1.c Added additional options for threaded area inspections.

Paragraph 14.8.1.1 Editorial.

Paragraph 14.8.3 Added ASME B30.26 and OEM criteria.

Paragraph 14.8.4 Added ASME B30.26 and OEM criteria. Clarified allowance or activity engineering evaluation. Clarified match marking requirements.

Paragraph 14.8.5 Added ASME B30.26 and OEM criteria. Clarified allowance or activity engineering evaluation. Clarified match marking requirements.

Paragraph 14.8.6 Added ASME B30.26 and OEM criteria.

Paragraph 14.8.7 Added ASME B30.10 and OEM criteria. Added sister hook equal loading and lifting hole requirements.

Paragraph 14.8.8 Added ASME B30.26 and OEM criteria. Clarified allowance or activity engineering evaluation. Added requirements for extended use and spacer installations.

Paragraph 14.8.9 Added ASME B30.26 criteria.

Paragraph 14.9 Editorial.

Paragraph 14.9.1 Editorial.

Paragraph 14.10 Added trolleys. Clarified disassembly requirements. Added portable gantry travel requirements. Added requirements for attachment of portable hoists.

Paragraph 14.11 Removed design criteria and referenced NAVCRANECENINST 11450.2. Clarified calibration requirements. Removed requirement for initial and periodic load testing.

Paragraph 14.12 Editorial.

Paragraph 14.12.c Clarified protection requirements.

Paragraph 14.12.f Added requirements for wire rope clips.

Paragraph 14.14 Editorial.

Paragraph 14.14.a Clarification.

Paragraph 14.14.f Editorial.

Paragraph 14.15 New requirements and recommendations on rigging practices.

Paragraph 14.16 New requirements on general rigging safety.

Paragraph 14.17 New requirement on safe capacity of equipment.

Appendix A Definitions were added for: abrasion, angle of choke, bearing damage, binding condition, boom deflection, commercially available, container spreader, crane attachment, crane clearance, crane operation, critical crane, cutting, deadman switch, entertainment hoist, fall zone, frapping, load indicating device, load moment indicator, pendant, poured socket, proximity alarm, rated capacity indicator, rated capacity limiter, reliability, rigging operation, significant accident, skip, slewing ring bearing, stopping brake, tagline, weight handling operation, and weight handling program manager.

Definitions for beam, brooming, bull gear and pinion, bull wheel, cab, choke angle, clearance, dead loads, diaphragm, dummy cab, dynamic lowering, electrical braking system, enclosed conductors, end approach, fairlead, fixed angle, full magnetic control or controller, gage, gypsy head, heel, hogline, hook approach, impact allowance, live load, load cycle, manual control or controller, messenger track, non-integral attachments, notch, pitch diameter, pivot trunnion system, protective panel, rack, semi-magnetic control or controller, service brake, service classification, service factors, skylight, slow speed microdrive, snatch block, tackle block, topping block, vang lines, weatherproof, wheelbase, and wire rope block were deleted.

Definition for alteration, cargo, cargo transfer, certifying official, construction, general safety devices, load bearing parts, load controlling parts, major deficiency, operational safety devices, ship's stores, and third party certification were relocated from section 1.

Definitions for adjustable load alarm or shutdown device, ancillary lifting devices, boom hinge, braided wire rope sling, brake, bridle sling, built-up hoist, cable-laid wire rope sling, cage, chain sling, choker hitch, civil engineering support equipment, contracting officer, crane base, crane structure, D/d ratio, dynamometer, enclosure, end attachments, equalizer sheave, end fittings, grommet wire rope sling, gudgeon pin, hand-tucked splice, hoist roll back, holding brake, duplex hook, insulated link, jib crane, lashing, list, load

warning device, maintenance lift, main hoist, master link, materials handling equipment, mechanical splice, multi-part sling, outrigger/stabilizer, pendant controller, personnel platform, portable hoist, regenerative braking, ring, rotate bearing, shall, should, straight-line hitch, splattered socket, spud lock, stabilizers, travel, trim, weight handling equipment, and wire rope sling were clarified.

Appendix B Clarified description of rough-terrain/all-terrain cranes. Added figure of portable gantry/A-frame.

### Appendix C

Notes 1, 4, 5, 6, 7, and 9 Editorial.

Note 10 Clarification.

Note 11 New exception for inspections by mechanics and electricians permitted to perform certain inspections.

Item 1 Addition of abnormal particles.

Items 3, 4, 5, 6, 7, 8, 9, 10, 11, 14, 15, 16, 18, 22, 32, 55, 57, 60, and 66 Added lower case sigma indicating inspection permitted by mechanic or electrician.

Item 11 Editorial.

Item 17 Clarification.

Item 22 Addition of inspection for visible corrosion and debris.

Item 25a Clarification.

Item 27a Clarification and addition of thruster brake hydraulic checks.

Item 28 Editorial.

Item 29a Clarification.

Item 29d Clarification.

Item 34 Addition of seals, boots, and guards.

Item 35 Clarification. Addition of manual valve and controller checks.

Item 35a Addition of filter check.

Item 41 Added "A" periodicity to this inspection.

Item 42 Added visual structure inspection to “B” periodicity inspection, clarified extent of C inspection.

Item 45 Added concrete counterweights.

Item 48 Added bearing inspections.

Item 49 Added bearing lubrication.

Items 49a and b Clarification and addition of RCDR criteria.

Item 51 Added polymer sheave inspections and additional extend/retract sheave guidance.

Item 52 Added rotation-resistant rope to special attention area, added wear block and swaged socket transition area inspections, added extend/retract cable guidance, dogleg inspections, low strand criteria, corrosion and wavy rope clarifications, and recommendation for increased inspections for specific conditions.

Item 54 Editorial.

Item 56 and 57 Separated warning and shutdown devices from load indicators and clarified requirements.

Item 58 Clarification.

Item 61 Addition of seals, boots, and guards. Addition of secondary controllers.

Item 62 Addition of circuit breaker parts and drive backup batteries.

Item 64 Addition of secondary hoist limit switch criteria.

Item 65 Addition of wind speed indicators.

Item 69 Clarification on internal areas. Addition of portal crane travel motor inspection scheduling.

Item 70 Clarification.

Item 73 Editorial.

Item 74 Addition of warning label inspection.

## Appendix D

Notes 1, 4, 5, 6, 7, 9, and 10 Editorial.

Note 11 New exception for inspections by mechanics and electricians permitted to perform certain inspections.

Item 1 Editorial.

Item 2 Addition of reference.

Item 8b Changed periodicity to 12<sup>th</sup> annual inspection.

Item 8c Clarification for cranes in quadrennial load test program.

Item 9a Changed periodicity to 12<sup>th</sup> annual inspection.

Item 9b Clarification for cranes in quadrennial load test program.

Item 13a Clarification and addition of thruster brake hydraulic checks.

Item 13c Clarification.

Item 14 Addition of equalizer bar inspections.

Item 16 Added rotation-resistant rope to special attention area and broken wire criteria, added wear block and swaged socket transition area inspections, dogleg inspections, low strand criteria, corrosion and wavy rope clarifications, and recommendation for increased inspections for specific conditions.

Item 17 Addition of chain guides, chain twisting, and chain container criteria.

Item 19 Editorial.

Item 20 Addition of filter, lubricator, water separator guidance.

Item 21a Clarification on required checks based on pendant strain relief cables.

Items 23, 30, and 34 Added lower case sigma indicating inspection permitted by mechanic or electrician.

Item 24 Addition of circuit breaker parts and drive backup batteries.

Item 25 Addition of seals, boots, and guards. Allowance to mark facility in lieu of crane. Addition of secondary controllers.

Item 27 Clarification.

Item 29 Addition of secondary hoist limit switch criteria.

Item 31 Addition of wind speed indicators.

Item 32 and 32a Separated warning and shutdown devices from load indicators and clarified requirements.

Item 36 Clarification. Added precaution.

Appendix E Many editorial changes.

Paragraph 1.1 Changed nominal test load for mobile cranes to 100 percent of rated capacity (110 percent when TPC). Changed test load tolerance for all cranes to plus 0 minus 5 percent. Clarified testing of rigging gear integral to the crane.

Paragraph 1.3 Clarified testing of limit switches.

Paragraph 1.4 Clarification.

Paragraph 1.4.1 Clarification.

Paragraph 1.4.2 Clarification. Addition of maximum allowable increase in hook spread.

Paragraph 1.4.3 Editorial.

Paragraph 1.4.4 Clarification.

Paragraph 1.4.4.1 Additional thread acceptance standards provided.

Paragraph 1.4.5, 1.5.1, 1.5.3, and 1.5.4, Editorial.

Paragraph 1.6.3 Addition of test weight inspection requirement.

Paragraph 1.6.4 Editorial.

Paragraph 1.7 Precautions added for brake release tests Clarifications.

Paragraph 1.7.1 Clarification.

Paragraph 1.8 Clarification on establishment of acceptable lifting hole inspection.

Paragraph 2.1.1 Editorial.

Paragraph 2.1.1.1 Addition of other engineering approved methods to simulate a fault and test system.

Paragraph 2.1.2 Editorial.

Paragraph 2.1.2.d Addition of secondary limit switch test.

Paragraph 2.1.2.g Clarified and corrected test.

Paragraph 2.1.2.1 Addition of other engineering approved methods to simulate a fault and test system.

Paragraph 2.1.3, 2.1.4, 2.1.5, 2.1.6, 2.1.7, and 2.2 Editorial.

Paragraph 2.2.2 and , 2.2.3.a Editorial.

Paragraph 2.2.3.a(1) Removed redundant hook rotation test.

Paragraph 2.2.3.a(3) Changed test load tolerance to plus 0 minus 5 percent.

Paragraph 2.2.3.e and f Editorial.

Paragraph 2.2.3.g and h Clarification. Addition of NCC and engineering review for specific circumstance.

Paragraph 2.2.3 Caution notes Editorial.

Paragraph 2.2.3.i, j, k, and l Editorial.

Paragraph 2.2.3.1.a Clarification.

Paragraph 2.2.3.1.b Change in test load tolerance. Addition of other engineering approved methods to simulate a fault and test system.

Paragraph 2.2.4.a, b, and d Editorial.

Paragraph 2.2.4.e Clarification. Addition of NCC and engineering review for specific circumstance.

Paragraph 2.2.4.1.a Clarification.

Paragraph 2.2.4.1.b Change in test load tolerance. Addition of other engineering approved methods to simulate a fault and test system.

Paragraph 2.2.5.a, b, and d Editorial.

Paragraph 2.2.5.e Addition of NCC and engineering review for specific circumstance. Clarification.

Paragraph 2.2.5.1.a Clarification.



Paragraph 2.2.5.1.b Change in test load tolerance. Addition of other engineering approved methods to simulate a fault and test system.

Paragraph 2.3.2, 2.3.4, 2.3.5, 2.3.6, and caution note Editorial.

Paragraph 4.3.1 and 4.3.2 Editorial.

Paragraph 5 Removed locomotive cranes from title.

Paragraph 5.1 Changed nominal test load to 100 percent (110 percent when the crane is TPC).

Paragraph 5.2 Editorial.

Paragraph 5.3 Clarification.

Paragraph 5.3.1.b Clarification.

Paragraph 5.3.1.d Clarification.

Paragraph 5.3.1.e Editorial.

Paragraph 5.4.1.1.a and d Editorial re-arrangement.

Paragraph 5.4.1.2.b Editorial.

Paragraph 5.4.1.3 Editorial.

Paragraph 5.4.2 Editorial.

Paragraph 5.4.2.1.a Change in nominal test load to 100 percent.

Paragraph 5.4.2.1.c Editorial.

Paragraph 5.4.2.1.d Exception added for no anti-friction bearing in the hook block.

Paragraph 5.4.2.1 note Change in reduced test load due to change in test load.

Paragraph 5.4.2.2.a Clarifications on powered boom length and allowable radius adjustments due to carrier frame deflection. Change in nominal test load to 100 percent.

Paragraph 5.4.2.2.b and c Editorial.

Paragraph 5.4.2.2 Notes Change in nominal test load to 100 percent.

Paragraph 5.4.2.3 Change in nominal test load to 100 percent.

Paragraph 5.4.2.3.a, b, and c Editorial.

Paragraph 5.4.2.4.a Note Clarification for cranes with identical main and auxiliary hoists..

Paragraph 5.4.2.4.a(1) Change in nominal test load to 100 percent.

Paragraph 5.4.2.4.a(2) and (3) Editorial.

Paragraph 5.4.2.1.b Change in nominal test load to 100 percent. Clarification on testing of bifold swingaway.

Paragraph 5.4.2.4.1 Editorial.

Paragraph 5.4.2.5 Editorial.

Paragraph 5.4.2.5.a(1) Change in nominal test load to 100 percent.

Paragraph 5.5.1.1.a and d Editorial re-arrangement.

Paragraph 5.5.1.3 Editorial.

Paragraph 5.5.2 Editorial.

Paragraph 5.5.2.1.a Change in nominal test load to 100 percent.

Paragraph 5.5.2.1.d Editorial.

Paragraph 5.5.2.1 note Change in reduced test load due to change in test load.

Paragraph 5.5.2.1.f Editorial.

Paragraph 5.5.2.2.a Clarifications on allowable radius adjustments due to carrier frame deflection. Change in nominal test load to 100 percent.

Paragraph 5.5.2.2.b and c Editorial.

Paragraph 5.5.2.3 Change in nominal test load to 100 percent.

Paragraph 5.5.2.3.b Editorial.

Paragraph 5.5.2.4.a Note Clarification for cranes with identical main and auxiliary hoists..

Paragraph 5.5.2.4.a(1) Change in nominal test load to 100 percent.

Paragraph 5.5.2.4.a(3) Editorial.

Paragraph 5.5.2.4.b Change in nominal test load to 100 percent.

Paragraph 5.5.2.4.b Note 1 Clarification.

Paragraph 5.5.2.4.1 Editorial.

Paragraph 5.5.2.5 Editorial.

Paragraph 5.5.2.5.a(1) Change in nominal test load to 100 percent.

Paragraph 5.5.2.6 Note a(1) Change in nominal test load to 100 percent.

Paragraph 5.6 Clarification on test after change or repair of tires for category 4 cranes.

Paragraph 5.7 Clarifications.

Paragraph 5.8 Editorial.

Paragraph 5.8.1.a Exception added for no anti-friction bearing in the hook block.

Paragraph 5.8.1.a Note Editorial.

Paragraph 5.8.1.d Editorial.

Paragraph 5.8.1.d Note 3 Editorial.

Paragraph 5.8.2.b and c Editorial.

Paragraph 5.8.2.c Note 1 Clarification.

Paragraph 5.8.3, .4, and 5.8.3.4.1 Editorial.

Paragraph 5.9 Editorial.

Paragraph 6 Added portable gantry/A-frames with permanently mounted hoists.

Paragraph 6.1.1 Editorial.

Paragraph 6.1.1.b Clarification.

Paragraph 6.1.1.c Clarification and addition of reference.

Paragraph 6.1.1.d Editorial.

Paragraph 6.1.1.e. Editorial

Paragraph 6.1.1.1 Addition of other engineering approved methods to simulate a fault and test system.

Paragraph 6.1.3 Clarification. Addition of test for portable gantry.

Paragraph 6.2.1.a Exception added for no anti-friction bearing in the hook block.

Paragraph 6.2.1.b(1) Clarification.

Paragraph 6.2.1.b(2) Exception added for no anti-friction bearing in the hook block.

Paragraph 6.2.1.b(3) Test load tolerance changed to plus 0 minus 5 percent.

Paragraph 6.2.1.d Clarification.

Paragraph 6.2.1.e Addition of NCC and engineering review for specific circumstance. Clarification.

Paragraph 6.2.1.1.a Clarification.

Paragraph 6.2.1.1.b Addition of other engineering approved methods to simulate a fault and test system.

Paragraph 6.2.2 Editorial.

Paragraph 6.2.3 Clarification. Addition of portable gantry cranes.

Paragraph 6.3 Clarification.

Paragraph 6.4 Clarification.

Paragraph 7.1.1.a Editorial.

Paragraph 7.1.1.b Clarification.

Paragraph 7.1.1.c Clarification and addition of reference.

Paragraph 7.1.1.e Editorial.

Paragraph 7.2.1.a Exception added for no anti-friction bearing in the hook block.

Paragraph 7.2.1.c Clarification.

Paragraph 7.2.1.d Height clarification. Addition of NCC and engineering review for specific circumstance. Clarification of air hoist designs and evaluation requirements.

Paragraph 7.2.2 Editorial.

Paragraph 7.2.3 Editorial.

Paragraph 7.3 Clarification.

Paragraph 8.1 Change in nominal test load to 100 percent.

Paragraph 8.2.1.a Editorial.

Paragraph 8.2.1.b Clarification.

Paragraph 8.2.1.c Clarification.

Paragraph 8.2.1.c Caution Clarification.

Paragraph 8.2.3 Editorial.

Paragraph 8.2.3 Addition of missing trolley test.

Paragraph 8.3.1.a Exception added for no anti-friction bearing in the hook block.

Paragraph 8.3.3 Addition of missing trolley test.

Paragraph 8.3.4 Addition of test after change or repair of tires.

Appendix F Addition of items to load controlling parts. Addition of items to operational safety devices.

Appendices G, H, and I Removal of appendices G, H, and I. These questions are included in NCC safety courses.

Appendix J, K, and L Addition of Note 4 clarifying test form notation. Addition of capacity. Clarification of pre-use inspection. Additional pick and carry criteria. Editorial changes.

Appendix M Editorial changes. Clarification on forwarding copies. Clarification on repair of container spreaders and other devices used in cargo transfer.

Appendix N Clarification on competencies and assessment of competencies and performance. Addition of designated spotters. Update to referenced standards. Addition of weight handling program manager.

Appendix O Revision of items 2, 13, and 14. Addition of Items 15 on retread tires, and 16 on providing guidance on design and safety requirements for certification.

Appendix P, Figure P-1 Addition of contractor certifications on safety devices, signal persons, riggers, and personnel working under a load or in the fall zone.

Appendix P, Figure P-2 Revision of items 5, 6, 7, 8, 9, 16, 26, 28, 34, and 35. Addition of N/A block. Addition of new checklist items on mobile cranes operating on a barge, floating cranes, multi-purpose machines, and personnel lifts.

Appendix Q Updated

Appendix R Updated

Index Updated

## TABLE OF CONTENTS

Foreword		i
Acknowledgments		ii
Change Record		iii
Change Synopsis		iv
<b>SECTIONS</b>		
1	General Overview	1-1
2	Program Management	2-1
3	Maintenance and Inspection	3-1
4	Certification	4-1
5	Equipment History File	5-1
6	Alterations and Engineering	6-1
7	Training and Qualification	7-1
8	Operator Licensing	8-1
9	Operator Checks	9-1
10	Operations	10-1
11	Contractor and other Non-Navy Owned Cranes	11-1
12	Accidents, Near Misses, and Unplanned Occurrences	12-1
13	Entertainment Hoists	13-1
14	Rigging Gear and Miscellaneous Equipment	14-1
<b>APPENDICES</b>		
A	Glossary	A-1
B	Types of Weight Handling Equipment	B-1
C	Maintenance Inspection Specification and Record for Category 1 and 4 Cranes	C-1
D	Maintenance Inspection Specification and Record for Category 2 and 3 Cranes	D-1
E	Crane Test Procedures	E-1
F	Examples of Load Bearing Parts, Load Controlling Parts, and Operational Safety Devices	F-1
G	Reserved for Future Use	G-1
H	Reserved for Future Use	H-1
I	Reserved for Future Use	I-1
J	Basic Performance Test for Weight-Handling Equipment Operator License, Category 1 and 4 Cranes	J-1
K	Basic Performance Test for Weight Handling Equipment Operator License, Category 2 and Cab-Operated Category 3 Cranes	K-1
L	Basic Performance Test for Weight-Handling Equipment Operator License, Mobile Boat Hoists and Rubber-Tired Gantry Cranes	L-1
M	Procedures for Third Party Certification by the Navy Crane Center	M-1
N	Personnel Competencies	N-1
O	Navy Crane Center Engineering Policies and Guidance for Crane Alteration Requests	O-1
P	Contractor Crane (or Alternate Machine Used to Lift Suspended Loads) and Rigging Gear Requirements	P-1
Q	References	Q-1
R	Related Documents	R-1

## TABLE OF CONTENTS

Index Index-1

### FIGURES

1-1	Request for Clarification, Deviation, or Revision	1-6
3-1	Weight Handling Equipment Deficiency Report	3-7
4-1	Certification of Load Test and Condition Inspection	4-16
4-2	Certification of Load Test and Condition Inspection (Supplement for Mobile Cranes)	4-17
4-3	Crane Condition Inspection Record	4-18
6-1	Crane Alteration Request	6-14
6-2	Mandatory Alteration	6-17
8-1	Application for Crane Operator License	8-11
8-2	Crane Operator License	8-13
8-3	Crane Operator License Record	8-14
9-1	Crane Operator's Daily Checklist	9-10
10-1	Standard Hand Signals for Controlling Crane Operations	10-26
10-2	Standard Hand Signals for Controlling Overhead and Gantry Cranes	10-29
10-3	Danger Zone for Cranes and Lifted Loads Operating Near Electrical Power Lines	10-30
12-1	Crane and Rigging Accident Report	12-6
12-2	Near Miss and Unplanned Occurrence Report	12-8
14-1	Choker Hitch Configurations	14-13
14-2	Capsized Hook	14-25
14-3	Normal and Twisted Chain Appearance	14-25
M-1	Certificate of Unit Test and/or Examination of Crane, Derrick, or Other Material Handling Device	M-3
M-2	Notice to Owner of Deficiencies Found on Certification Survey	M-4
P-1	Certificate of Compliance	P-1
P-2	Contractor Crane or Rigging Operation Checklist	P-2

### TABLES

5-1	Equipment History File	5-1
6-1	Load Ratings for Various Types of Mountings	6-9
7-1	Required Courses for Weight Handling Personnel	7-3
14-1	Test Load Percentages for Initial and Periodic Load Tests, Periodic Load Test Frequencies, and Inspection Frequencies	14-8
14-2	Efficiency Factors for Wire Rope Slings	14-11
14-3	Rated Loads for Slings in a Choker Hitch	14-12
14-4	Eye Bolt Loading for Shoulder Eye Bolts	14-19



## SECTION 1 GENERAL OVERVIEW

1.1 Introduction. This publication provides requirements for the program management, maintenance, inspection, test, certification, repair, alteration, operation, and/or use of weight handling equipment (WHE) owned by the Navy and/or under the technical cognizance of the Naval Facilities Engineering Command (NAVFAC). Activities covered include Navy shore activities, the Naval Construction Force (NCF), Naval Special Operating Units (SOU), and the Naval Construction Training Center (NCTC). Also included are Navy fleet activities and detachments that operate shore based WHE along with Navy activities on joint bases and bases of other military services and agencies. These criteria are the minimum requirements for all applicable equipment. This publication meets or exceeds all applicable OSHA requirements for maintenance, inspection, testing, certification, repair, alteration, and operation of equipment covered herein. Acquisition of WHE and overhaul of existing WHE shall follow policy set forth in NAVCRANECENINST 11450.1. This instruction is available on the Navy Crane Center's web site, <https://www.navfac.navy.mil/ncc>.

1.1.1 Exceptions. Units of the NCF and SOU are exempt from compliance with those portions of this publication that would preclude the execution of their wartime tasking in a strictly military unique operation. This includes Elevated Causeway "Modular" (ELCAS "M"), Elevated Causeway "Navy Lighterage" (ELCAS "NL"), and contingency embarking operations and exercises. Commanders of these units shall make every effort to ensure these inherently dangerous operations are conducted in the safest possible manner. Ample training and standard operation procedures shall be established and reviewed annually. NAVFAC P-307 is written for non-emergent operations; under emergent conditions (where injury, loss of life, or significant material damage is imminent), managers and certifying officials shall take all necessary precautions and use established emergency procedures.

1.2 Purpose. The purposes of this publication are:

- a. To maintain the level of safety and reliability built into each unit of applicable equipment by the original equipment manufacturer (OEM).
- b. To ensure optimum service life.
- c. To provide training and qualification standards for all personnel involved with maintenance, inspection, test, certification, engineering, rigging, and operation of WHE.
- d. To ensure the safe lifting and controlling capability of WHE and promote safe operating practices through the engineering, inspection, test, certification, qualification, operation, and rigging requirements prescribed herein.
- e. To provide guidance for overall weight handling program management.

### 1.3 Applicable Equipment

1.3.1 Applicable Sections. Sections 1 through 10 and section 12 apply to the following types of equipment. Included are barge mounted cranes (category 1 through 4) at shore activities.

#### Category 1 cranes

Portal cranes

Hammerhead cranes

Locomotive cranes

Derricks

Floating cranes (YD only, non-YD cranes on floating mountings or foundations, are the category of the base crane itself, e.g., a 5000-pound capacity barge mounted monorail would be a category 3 crane.)

Tower cranes

Container cranes

Mobile cranes (except those indicated as category 4), including truck, rough-terrain, all-terrain, crawler, warehouse/industrial cranes/mobile cargo cranes as defined by NAVSUP P-538, and cranes used for dragline, pile driving, clamshell, magnet, and bucket work

Aircraft crash cranes (permanently assigned shore-based)

Mobile boat hoists including self-propelled and towed types

Rubber-tired gantry cranes

Category 2 and 3 cranes. (Cranes with certified capacities of 20,000 pounds or greater are category 2. Cranes with certified capacities less than 20,000 pounds are category 3.)

Overhead traveling cranes (including runway track and hanger supports for underhung cranes)

Gantry cranes (rail-mounted or "jack and pull" travel)

Wall cranes

Jib cranes

Davits

Pillar cranes

Pillar jib cranes

Winches or base-mounted drum hoists used for vertical lifting (covered by ASME B30.7)

Monorails and associated hoists (including track, switches, and hanger supports)

Fixed overhead hoists (no trolley or bridge function).

Portable hoists used continuously (6 months or more, 12 months for shipboard availabilities) in a single location.

Portable A-frames and portable gantries with permanently installed hoists (covered by ASME B30.17)

Pedestal mounted commercial boom assemblies (fixed length and telescoping types) attached to stake trucks, trailers, flatbeds, or railcars, or stationary mounted to piers, etc., with certified capacities less than 2,000 pounds.

## Category 4 cranes

### Commercial truck mounted cranes

Articulating boom cranes, mobile or stationary, including ammunition handling truck/cranes with equipment category code 0704 of NAVFAC P-300

Pedestal-mounted commercial boom assemblies (fixed length and telescoping types) attached to stake trucks, trailers, flatbeds, barges, or railcars, or stationary mounted to piers, etc., with certified capacities of 2,000 pounds and greater.

Other hydraulic telescoping boom cranes (stationary or barge-mounted)

Note: Commercial truck-mounted cranes (described by ASME B30.5), articulating boom cranes (described by ASME B30.22), and other hydraulic telescoping cranes (similar to the booms described by ASME B30.5) of all capacities are category 4 cranes and require a licensed operator even if the cranes are down rated for administrative purposes.

Sections 1 through 6, 8 through 10, 12, and 14 also apply to cranes installed ashore for training on shipboard operations, unless such equipment is managed under an alternate Navy standard.

1.3.2 Section 13. Section 13 applies to entertainment hoists, as defined by appendix A.

1.3.3 Section 14. Section 14 applies to the following equipment used in weight handling operations:

Rigging gear (slings, shackles, eye bolts, swivel hoist rings, links, rings, turnbuckles, insulated links, etc.)

Crane structures

Container spreaders

Personnel platforms

Portable manual and powered hoists. Portable hoists used continuously (6 months or more, 12 months for shipboard availabilities) in a single location are considered category 2 or 3 cranes.

Portable load indicators (dynamometers, load cells, crane scales, etc.)

Below the hook lifting devices as identified in ASME B30.20

Portable A-frames, portable floor cranes, and portable gantries. Portable A-frames and portable gantries with permanently installed (used on the same A-frame/gantry) hoists are category 2 or 3 cranes.

Cranes and hoists procured with, integral to, and used solely in support of larger machine systems (milling machines, press brakes, shore power booms, etc.). The activity may designate this equipment as category 2 or 3 cranes as applicable.

### Notes:

1. The requirements of sections 2 through 12 apply to section 14 equipment only where noted.

2. Contact Navy Crane Center, Code 03, for inquiries with respect to whether equipment is covered by NAVFAC P-307, and/or what category equipment falls under.

1.3.4 Non-Applicable Equipment. This publication does not apply to WHE installed on naval vessels, including cranes on floating dry docks. Requirements for shipboard WHE are covered in applicable NAVSEA technical publications. Equipment with category codes 0723 and 0735 shall be treated as cranes unless exclusively utilized for electrical utility work. Equipment with category codes 0725, 0729, and 5460 are covered by NAVFAC P-300; however accidents occurring while using the equipment for lift hook work shall be reported to the Navy Crane Center. Also excluded are personnel lifting equipment covered by NAVFAC P-300; vertical transportation equipment (stacker cranes, conveyors, automobile lifts, etc.) covered by NAVFAC MO-118 (or other NAVFAC instruction); capstans (follow MIL-STD-1625); base-mounted drum hoists and winches used for line handling and other horizontal movement of loads; materials handling equipment (MHE) covered by applicable Naval Supply Systems Command criteria (except warehouse/industrial and mobile cargo cranes, which are covered by this publication); weight handling, ground support equipment or airborne weapons support equipment covered by NAVAIR 00-80T-119 or other applicable Naval Air Systems Command criteria; and hoists and cranes contained within service units under Strategic Systems Programs Ordnance Data program criteria. For cranes used at shore activities to train personnel on identical cranes installed shipboard, the applicable shipboard crane maintenance, inspection, operation, and certification program (e.g., NAVAIR, NAVSEA, etc.) may be used in lieu of this publication. Ground level crane rails and runway rails, along with associated supports and foundations, for top running bridge cranes, gantry cranes, and wall cranes are covered by NAVFAC Instruction 11230.1.

1.4 Qualifications of Personnel. Personnel involved in the maintenance, alteration, repair, inspection, testing, and operation of WHE, shall be trained and qualified to perform their assigned duties. Additional requirements established by the activity, as applicable, shall be met prior to validating qualification. All personnel operating Navy-owned shore-based WHE shall meet the requirements of this publication. Specific requirements for crane operator qualification and licensing are addressed in section 8. For other personnel involved in the WHE program, see section 7 and Appendix N for training and competency requirements.

1.5 WHE Owned by Other Military Services and Other Government Agencies. Where Navy personnel operate WHE owned by other services or agencies at Navy activities, including Navy activities on bases of other military services and agencies, the training, licensing, and operational requirements of this publication apply.

Where WHE owned and operated by other military services and agencies is used in support of Navy operations, the activity commanding officer shall establish and promulgate a policy to ensure the safe operation of the equipment. The policy shall include, as a minimum, the requirements addressed in section 11 for contractor operated cranes.

1.6. WHE at Joint Bases. Where Navy personnel operate WHE owned by other services, the training, licensing, and operational requirements of this publication apply. WHE operated by another military service that have been turned over to the Navy, or where the Navy performs inspection, maintenance, testing and certification, shall be inspected, maintained, tested, and certified in accordance with this publication. Personnel of other military services who operate, or perform rigging on, WHE maintained and certified by the

Navy shall be trained and qualified in accordance with, and shall follow the operational requirements of, this publication. This paragraph does not apply to Army or Air Force mobile tactical WHE.

Where WHE owned and operated by other military services and agencies as the supporting component is used in support of Navy operations, the activity commanding officer of the supported component shall establish and promulgate a policy to ensure the safe operation of the equipment. The policy shall include, as a minimum, the requirements addressed in section 11 for contractor operated cranes. The overall intent is to ensure equipment is technically adequate for the intended purpose and safe to operate, and that proper periodic oversight is provided to ensure compliance with these requirements.

1.7 Non-Navy Owned and Operated WHE Inspected, Maintained, Tested, or Certified by Navy Personnel. Where Navy or BOS contract personnel inspect, maintain, test, or certify, non-Navy owned and operated WHE, they shall follow the requirements of sections 1, 3, 4, 5, 6 (with the exception of crane alterations), 7, 12, 14, and the applicable appendices as a minimum.

1.8 Record Formats. Sample formats shown throughout this publication show the minimum information required to be maintained for record purposes. Activity generated forms may be substituted, provided they include the information required. Activities may delete items from the sample forms provided they are not applicable to the subject equipment. Local reproduction of the forms is authorized.

1.9 Requests for Clarification, Deviation, or Revision. Requests for clarification, deviation, or revision to this manual shall be documented using a "Request for Clarification, Deviation, or Revision" (RCDR) figure 1-1. Appropriate references, enclosures, background, and reasons for the request shall be provided. This form may also be used to request clarifications, deviations, or revisions to crane safety advisories, equipment deficiency memoranda, Navy Crane Center instructions, and other directives issued by the Navy Crane Center. RCDRs issued prior to the publication date of this revision of NAVFAC P-307 that provide clarifications or general interpretations shall be considered cancelled, except for those that remain on the Navy Crane Center's web site (<https://www.navfac.navy.mil/ncc>). Previous RCDRs issued for one-time deviations or specific equipment remain in effect. Where appropriate, previous RCDRs have been incorporated into this document. RCDRs posted on the Navy Crane Center's web site are applicable to all activities.

<b>REQUEST FOR CLARIFICATION, DEVIATION, OR REVISION</b>			
<b>CHECK APPROPRIATE BOX</b>	<b>CLARIFICATION</b>	<b>DEVIATION</b>	<b>REVISION</b>
<b>ACTIVITY</b>		<b>ACTIVITY REQUEST NUMBER</b>	
<b>WHE NUMBER</b>	<b>MANUFACTURER</b>	<b>SPS CRANE</b> Yes _____ No _____	
<b>SUBJECT</b>			
<b>PREPARED BY</b>	<b>PHONE</b>	<b>FAX</b>	<b>DATE</b>
	<b>E-MAIL</b>		
<b>APPROVED BY</b>	<b>PHONE</b>	<b>FAX</b>	<b>DATE</b>
	<b>E-MAIL</b>		
<b>CONTRACTING OFFICER'S REPRESENTATIVE (IF PREPARED AND APPROVED BY CONTRACTOR)</b>	<b>PHONE</b>	<b>FAX</b>	<b>DATE</b>
	<b>E-MAIL</b>		
<b>REFERENCE(S)</b>			
<b>ENCLOSURE(S)</b>			
<b>PURPOSE</b>			
<b>BACKGROUND</b>			
<b>DISCUSSION</b>			
<b>REQUEST</b>			
<b>NAVY CRANE CENTER RESPONSE</b>			
<b>NAVY CRANE CENTER CONTROL NUMBER</b>			
<b>PREPARED BY</b>	<b>PHONE</b>	<b>FAX</b>	<b>DATE</b>
<b>APPROVED BY</b>	<b>PHONE DSN</b>	<b>FAX</b>	<b>DATE</b>

Figure 1-1 (1 of 2)

## REQUEST FOR CLARIFICATION, DEVIATION, OR REVISION INSTRUCTIONS

This form is designed for fax transmission without a cover page or by e-mail and, with enclosures and signatures, shall be the official document. Electronic submission will be accepted without signatures but the names of the preparer and approver shall be filled in. The e-mail address is m\_nfsh\_ncc\_rcdr@navy.mil. The fax number is (757) 396-1772.

1. Clarification, Deviation, or Revision: Check appropriate block.
2. Activity: Enter the Standard Navy Distribution List (SNDL) plain language address (PLA) and unit identification code (UIC) for your activity.
3. Activity Request Number: Enter the request number from your activity in the following format: UIC-FY-000 i.e., your unit identification code, a dash, the current fiscal year, a dash, and the number of the request from your activity in sequence (use four digits).
4. WHE Number: Self-Explanatory, otherwise mark "N/A" if not WHE specific.
5. Manufacturer: Self-Explanatory, otherwise mark "N/A" if not WHE specific.
6. SPS Crane: SPS as defined by NAVSEA 0989-030-7000. Otherwise mark "N/A" if not WHE specific.
7. Subject: Enter the paragraph or other part of the manual addressed.
8. Prepared by: Self-explanatory.
9. Approved by: Approval should be at the level of chief crane engineer, certifying official, or weight handling program manager.
10. Contracting Officer's Representative: If the request was prepared and approved by a contractor, indicate concurrence by the contracting officer's representative.
11. Reference(s): Enter the applicable references.
12. Enclosure(s): List the applicable enclosures.
13. Purpose: State the purpose of the request in one or two short sentences.
14. Background: State the background or reason that prompted the request.
15. Discussion: State the rationale behind the request.
16. Request: State the specific request.
17. Navy Crane Center Response, etc.: Reserved for Navy Crane Center use.

(INTENTIONALLY LEFT BLANK)



## SECTION 2 PROGRAM MANAGEMENT

2.1 Weight Handling Program Manager. The commanding officer is responsible for ensuring safety within the activity. For activities that operate or service (provide maintenance, inspection, or certification services to other activities) 100 or more cranes, the activity shall designate a weight handling program manager (or similar title) who is responsible for the overall weight handling program, to include operations, rigging, crane inspection, maintenance, certification, training, accident and near miss/other unplanned occurrence reporting, and all other weight handling functions. The weight handling program manager shall also be responsible to ensure an appropriate equipment inventory to support the activity's mission and an adequate number of personnel to support and sustain the weight handling program. The weight handling program manager may also be a certifying official; however, performance of additional duties cannot dilute the responsibility of the weight handling program manager.

In the case where one activity operates 100 or more cranes and another activity services the cranes, a single program manager may be designated. A memorandum of agreement between the two activities shall clearly define the responsibilities of each activity in executing the requirements of this section.

2.2 Designation of Weight Handling Program Manager. The weight handling program manager shall be designated in writing by the commanding officer, or by written command or regional instruction. The designation may be by position/title in lieu of name and is considered to remain in effect until cancelled or revised.

2.3 Implementing Instructions. Activities shall develop written instructions for managing their weight handling program that implement the applicable requirements of this publication. The instructions shall outline and designate responsibilities with respect to the implementation and performance of weight handling operations and management. The activity may incorporate other required instructions (e.g., lockout, severe weather, or indoor operations of mobile equipment) into the implementing instructions. If written procedures required by paragraphs 2.8 and 2.10 are in another activity instruction (e.g., in activity safety instruction), and meet the requirements of the referenced paragraphs, they are not required to be separately documented in a weight handling program instruction.

2.4 Evaluations and Self-Assessments.

2.4.1 Evaluations. As directed by SECNAVINST 11260.2, evaluations of weight handling programs at Navy shore activities are periodically conducted by the Navy Crane Center. Activities shall use Navy Crane Center Instruction 11200.33 as a guide in preparing for these evaluations.

2.4.2 Self-Assessments. Activities shall perform an annual self-assessment of their weight handling program. The results of the latest assessment shall be provided to the Navy Crane Center upon request. In the event the last self-assessment was performed over four months prior to the scheduled evaluation, the activity shall provide an update

to the self-assessment verbally or in writing. Self-assessments shall include a thorough review of the weight handling program, to include problem areas, suspected causes, and corrective actions planned or already in place. The self-assessment should be based on all available data and metrics, to include:

- a. Monitor program observations and trends. See paragraph 2.6.
- b. Internal audits or evaluations, if performed, conducted by weight handling program personnel or other personnel within the activity.
- c. Metrics and associated analyses. See paragraph 2.5.
- d. Information learned from external or higher level organization (OSHA, Supervisor of Shipbuilding, Systems Command) program reviews.
- e. Changes in activity mission and/or workload and ability of the weight handling program to adapt to these changes.

2.5 Metrics. Activities shall have basic metrics to be used to assist in evaluating and assessing the overall weight handling program performance. Basic metrics shall include crane and rigging accidents and near misses/unplanned occurrences, crane reliability for category 1 and 2 cranes and category 3 and 4 critical cranes, crane maintenance cost and duration for category 1 and 2 cranes, and the monitor program (paragraph 2.6). Activities that do not maintain, inspect, test, or certify their own cranes may have their weight handling equipment service provider maintain the metrics for crane reliability, and maintenance cost and duration. Although the baseline metrics discussed above shall be maintained for all activities, these metrics should be supplemented by metrics developed commensurate with the maturity of the weight handling program to foster continual improvement.

2.6 Monitor (Observation) Program. Activities shall monitor in-process weight handling evolutions (including rigging operations) and other work as applicable (e.g., maintenance, inspection, load testing, and engineering) to identify deficiencies and poor practices, work processes that can be improved or performed more safely, and most importantly, to identify and correct minor or low level problems before they result in accidents or equipment damage/breakdowns. Weight handling program managers and supervisors in the weight handling program shall conduct observations of in-process work and operations; however, all personnel in the weight handling program should participate. The number of observations at each activity shall be commensurate with the amount of work being performed. Identified deficiencies, poor practices, and improvement recommendations shall be documented and the results shall be periodically analyzed to identify trends and allow the activity to take appropriate corrective actions.

Although all deficiencies, poor practices, and process improvements should be identified, a key focus area of the monitor program should be the identification of tangible deficiencies. Tangible operational deficiencies are those that if not corrected could result in a crane or rigging accident, such as poor load control, crane movements

without direction, inattentive crane team members, lack of or inadequate sling protection, rigger-in-charge (RIC) not in overall control of the evolution, or supervisors engaged in work. Equipment-related tangible deficiencies are those that if not corrected could result in a crane breakdown or reduced reliability, such as not using wire removal forms when required, foreign material contamination, workmanship deficiencies (e.g., not using a torque wrench when required, the wrong tool for the job, or poor mechanic techniques), procedural violations or unclear procedures, required tools or materials not staged, or the wrong types of materials/parts used.

2.7 Crane Replacement and Modernization Plan. Activities shall develop and maintain a crane replacement and modernization plan (as a minimum, for category 1 and 2 cranes and category 3 and 4 critical cranes) that evaluates the crane inventory in relationship to the activity's projected workload and mission requirements. The plan shall be updated annually. The activity shall coordinate with the service providing activity when developing the plan. Activities shall ensure the plan includes higher level or SYSCOM mandated crane replacement or modernization directives, as applicable.

2.8 Lockout/Tagout and Equipment Tagging Procedures.

2.8.1 Lockout/Tagout Procedures for Control of Hazardous Energy. Activities shall develop written lockout/tagout procedures to ensure the control of hazardous energy during maintenance, inspection, and testing of WHE. Lockout/tagout procedures shall conform to OPNAVINST 5100.23 and shall have the concurrence of the activity safety office. Consult WHE OEM maintenance and servicing manuals (or OEM or activity engineering personnel as necessary) for specific instructions that may be applicable, such as capacitor discharge instructions for WHE utilizing variable frequency drives.

2.8.2 Equipment Tagging Procedures. Activities shall develop written procedures for tagging WHE that have known deficiencies that may adversely affect their safe operation and equipment that is out of certification. These tags shall not be the same tags (nor the same color) as tags used for the control of hazardous energy.

2.9 Crane Safety Advisories, Safety Messages, and Equipment Deficiency Memoranda. The Navy Crane Center receives reports of equipment deficiencies, component failures, crane and rigging accidents, and other potentially unsafe conditions and practices. When applicable to activities other than the reporting activity, the Navy Crane Center will issue a crane safety advisory (CSA), a safety message (SM), or an equipment deficiency memorandum (EDM). Generally, a CSA is directive and often requires feedback from the activities receiving the advisory. An EDM is provided for information and can include deficiencies to non-load bearing/load controlling parts. An SM may or may not be directive and provides specific and general weight handling equipment safety information.

For each applicable CSA and SM, activities shall perform the corrective actions, tests, inspections, measurements, etc., and report to the Navy Crane Center as directed. Activities shall track corrective actions associated with CSAs and SMs. A list of all CSAs, SMs, and EDMs in effect can be obtained from the Navy Crane Center web site, <https://www.navfac.navy.mil/ncc>.

2.10 Environmental Considerations for Indoor Operations with Mobile Equipment. Activities shall develop written procedures to ensure the control of hazardous exhaust from the indoor operation of mobile WHE utilizing internal combustion engines designed for outdoor operation. These procedures shall have the concurrence of the activity health and safety office.

## SECTION 3 MAINTENANCE AND INSPECTION

3.1 Maintenance Inspections. Maintenance inspections shall be performed at the frequencies and in the detail specified in this section. Personnel performing maintenance inspections shall complete the training and competency requirements for inspectors as noted in section 7 and appendix N except that mechanics or electricians may perform inspections of items marked with a lower case sigma ( $\sigma$ ) noted in appendices C and D. In general, inspections shall consist of observing the functioning of the specified components and parts before, during, and after operation. Examination shall be by sight, sound, touch, and, as necessary, instrumentation, nondestructive testing, and disassembly.

Primary emphasis during inspections shall be given to ensuring maximum safety by maintaining all load bearing and load controlling parts and operational safety devices in a safe and sound working condition. The inspector shall determine whether a deficiency constitutes a major deficiency (as defined in appendix A). Inspectors shall not engage in calculated risks or depend on their judgment alone where there is a doubt in their mind regarding a questionable condition of such parts. Questionable conditions of load bearing and load controlling parts and operational safety devices shall be referred immediately to the activity engineering organization and, if necessary, to the certifying official for resolution. If there is no activity engineering organization, the inspection organization shall evaluate the deficiency and the certifying official shall approve the resolution.

Maintenance of the crane portion of floating cranes shall be in accordance with this publication. Maintenance of the barge shall be in accordance with OPNAVINST 4790.4 or the barge OEM's maintenance manuals and recommendations. Documentation of barge maintenance is required and shall be retained for a minimum of two years (current year plus previous year).

3.1.1 Deficiencies. Deficiencies include failure or malfunction of equipment, improper engineering, inspection, or maintenance procedures, and major or unsafe discrepancies between design drawings and equipment configuration. This does not include normal wear on the equipment. In those instances where a deficiency is detected that has applicability at other Navy activities, the Navy Crane Center shall be notified as soon as practical, but in no case later than five days of the discovery. A summary report of the deficiency, including corrective actions taken or recommended, shall be forwarded to the Navy Crane Center within 21 days. Figure 3-1 shall be used to report the deficiency to the Navy Crane Center. Deficiencies (and corrective actions) to load bearing and load controlling parts and operational safety devices shall be documented and filed in the equipment history file.

3.2 Inspection Specifications. Maintenance inspection specifications are identified in appendices C and D. These prescribe the types of inspection (A, B, C, or annual), the components and parts to be inspected, and the inspection action. The extent of disassembly shall be as noted. Each activity shall develop maintenance inspection specification and record (MISR) forms in accordance with the sample formats shown in

appendices C and D. For unique items not covered, additional inspection attributes shall be included. The applicable annual maintenance inspection record shall be included with the certification form submitted to the certifying official. A maintenance inspection is not required to initially certify a new crane.

3.2.1 Specification Data Sheets. Each activity shall augment the specifications noted above with specification data sheets. These shall contain all guidance and technical information needed by inspectors in checking for wear, adjustments, settings, and tolerances during inspections. This information shall be extracted from the OEM's technical manuals, maintenance experience, and other authoritative technical sources. Specification data sheets are intended to assist the inspector in quickly identifying information critical to the safe and reliable operation of the crane. They are not limited to brake specifications, but should include such additional information as settings of brake interlock detection switches, hydraulic circuit pressures, and/or limit switch measurements. Measurement locations for verifying settings shall be clearly identified.

3.2.2 OEM's Supplemental Service Information. OEMs, particularly of mobile cranes, often issue information (e.g., "service bulletins") more current and supplemental to that in the maintenance manual furnished with a particular crane. Much of the information pertains to the maintenance of the crane. Activities shall contact the OEM or authorized distributor for supplemental service information applicable to their cranes, and, if practical, be added to the OEM's distribution list for such information. When new parts or components are added to a crane, or parts or components are upgraded on a crane, the activity shall contact the part or component manufacturer to obtain updated maintenance, inspection, and engineering information, if available, and the crane's history file and manuals shall be appropriately updated.

3.3 Inspection and Corrective Action. MISR forms shall be used to record conditions at each inspection and shall be filed in the equipment history file.

3.3.1 Work Documents. All work performed including work to disassemble and reassemble components (including disassembly/reassembly for inspections of appendices C and D) shall be documented on a technical work document (TWD), shop repair order (SRO), or other work document. This does not include removal and replacement of inspection covers. Work documents involving repair, replacement, disassembly, alteration, or adjustment to load bearing parts, load controlling parts, and operational safety devices shall be reviewed by the inspector or engineer prior to starting the work. Work documents shall clearly describe the work to be done, including replacement parts to be installed, in-process inspection requirements for those items where inspection is not practical after completion of work, and shall identify appropriate test requirements. When an alteration is invoked, the work document shall cite the applicable alteration number and the nature of the change. Components to be repaired or replaced shall be identified to specific subsystems (e.g., main hoist motor to gearbox coupling) or location (e.g., hydraulic return hose for left rear outrigger jack). Except for cranes undergoing annual inspection and load test, work documents shall indicate whether or not re-certification is required.

3.3.2 Maintenance Precautions. Before and during the performance of maintenance or repairs to cranes, the following precautions shall be taken as appropriate: (See section 2 for lockout/tagout requirements.)

- a. The crane to be repaired shall be positioned in a location where it will minimize interference with other cranes and operations in the area, and enable safe access for personnel working on the crane.
- b. All controllers shall be in the "off" position.
- c. Stored energy shall be controlled in accordance with the activity's lockout/tagout procedures.
- d. Warning signs or barriers shall be placed to alert personnel in the area of maintenance work being performed.
- e. Navy fall protection requirements shall be followed and are addressed in OPNAVINST 5100.23.
- f. Where other cranes are in operation on the same runway, rail stops or other suitable means shall be provided to prevent interference with the idle crane.
- g. Inspectors, mechanics, or other personnel shall not carry articles in their hands, or carry large articles in their pockets when climbing ladders to access the cranes.
- h. A suitable fire extinguisher shall be kept in the immediate vicinity of all category 1, 2, and 4 cranes and category 3 cranes with footwalks. Inspection and maintenance personnel shall be familiar with the use and care of fire extinguishers provided on cranes that they inspect and maintain.
- i. The fueling of cranes with portable containers shall be done with approved safety type containers with an automatic closing cap and flame arrester. Fueling shall not take place with the engine running.
- j. When welding is performed on the crane, precautions shall be taken to ensure the welding current does not pass through components that could be damaged, such as antifriction bearings, wire rope, chain, or electronic components (ensure the welding ground is close to the work and the welding machine is operating properly).

After adjustments and repairs are made, the crane shall not be returned to service until all guards have been reinstalled, safety devices reactivated, and maintenance equipment removed.

3.3.3 Replacement Parts. Replacement load bearing and load controlling parts and safety devices shall be identical to those of the original design or follow the requirements of paragraph 6.4.2. Where circumstances require substitution of either

material or design configuration, such matters shall be referred to the activity engineering organization for resolution.

3.3.4 Inspection of Work. Adjustments, repairs, and replacements of load bearing or load controlling parts or operational safety devices shall be inspected (including in-process inspections where required). Inspection shall include an operational test where appropriate. The inspector shall sign the work document to affirm that the work has been satisfactorily performed.

3.3.5 Deferral of Work During Maintenance Inspections/Certifications. Major deficiencies shall be corrected prior to annual certification or return to production service, unless the specific system is not in service and/or will not be placed in service (e.g., a bridge crane with a main hoist and an auxiliary hoist and the auxiliary hoist will not be certified). If it is not practical to complete other work to load bearing and load controlling parts and operational safety devices, such work may be deferred upon review and approval by the certifying official. Technical justification for deferral shall be provided. Deferred work shall be completed prior to the next annual certification unless further deferral is approved by the certifying official (deferred work does not require completion prior to the next certification if the system will remain out of service).

3.4 Maintenance Inspection Types and Frequency. Routine inspections shall be scheduled and performed for the various categories of cranes as follows. (Annual maintenance inspections and type "B" maintenance inspections shall be performed in conjunction with the annual certification.)

3.4.1 Category 1 and 4 Cranes. The activity has the option of basing maintenance inspections on engine operating hours (or electrically energized hours for cranes without a main engine) as recorded on the hour meter on the main engine or main power source, or time intervals in calendar months. The scheduling basis may vary among cranes of the same type. The schedule shall establish either one or the other of these criteria (not whichever comes later). The scheduling basis (hour meter or calendar month) shall be annotated in the equipment history file for the crane. A type "B" inspection shall be accomplished before the option to change is exercised. Engine hours are considered the crane engine (versus road travel engine) for those cranes equipped with two engines. If the control or load moment indicator (LMI) system records hours of operation, those hours may be used in lieu of engine hours.

3.4.1.1 Type Designation and Frequency

a. Type "A" Inspection (Appendix C). Calendar month basis - each 4 calendar months (plus 10 days) after certification. Hour meter basis - each 500 engine operating hours (plus 50 operating hours).

b. Type "B" Inspection (Appendix C). Calendar month basis - at every third type "A" inspection. Hour meter basis - each 2,000 engine operating hours (plus 200 operating hours), except that a type "B" inspection shall be performed annually as a minimum.



c. Type "C" Inspection (Appendix C). Calendar month basis - at every third type "B" inspection. Hour meter basis - each 8,000 engine operating hours (plus 800 operating hours), except that a type "C" inspection shall be performed every sixth annual certification as a minimum.

Note: In the event an hour meter becomes inoperative, for cranes basing maintenance on hours, activities shall develop a procedure to estimate hours for recording of crane hours.

3.4.2 Category 2 and 3 Cranes. An annual inspection of items specified in the Annual MISR (appendix D).

3.5 Lubrication and Servicing/Maintenance. In addition to the inspection specifications prescribed in paragraph 3.2, each activity shall develop local instructions and schedule and perform lubrication and servicing/maintenance. Activity and Navy experience and crane usage may be used as a basis for modifying OEM recommended programs. Modification of OEM recommended programs shall be approved by the activity engineering organization. Where the Navy's 3M program (OPNAVINST 4790.4) is utilized for shore-based cranes, the program shall incorporate all OEM requirements into the specific crane's maintenance requirements cards.

3.5.1 Lubrication. Lubrication instructions shall be developed using OEM manuals and instructions as a guide when available. Particular attention shall be given to the amount of lubrication to be added at a given interval and ensuring lubricant distribution, especially in areas subject to small rocker motion (i.e., gudgeon or horizontal equalizer pins) or larger diameter bearings (i.e., slewing ring bearings). Over-lubrication is often destructive and shall be avoided. New equipment, even though presumably lubricated by the OEM, shall be checked for sufficient lubricant before being placed in service. Lubrication points on new or repaired equipment shall be checked to verify lubricant acceptance and proper assembly. Lubrication instructions shall minimize the number of different lubricants employed. Maximum utilization of existing lubricant inventories shall be considered. Consideration shall be given to periodically cycling all moving parts on those cranes that are idle for long periods of time between use to prevent blown seals and seized or corroded components.

3.5.2 Servicing/Maintenance. Servicing/maintenance specifications shall be developed using OEM manuals and instructions for all mechanical and electrical equipment requiring periodic adjustments, tune ups, repairs, or alignments, such as brakes, clutches, engines, electrical and electronic control systems and individual devices, and similar systems and components. Where OEM manuals and instructions are not available or are silent with respect to requirements and standards to be used, national industrial standards and consensus standards shall serve as minimum requirements.

3.5.3 Documentation. Lubrication and servicing actions shall be recorded on an SRO, operator's daily checklist, TWD, or other document as appropriate. The documentation recording these actions shall be maintained in the equipment history file.

3.5.4 Inspection Action. Inspectors shall perform a detailed review of maintenance records and equipment during prescribed inspections to ensure that lubrication and servicing are being properly performed as specified.

3.5.5 Special Requirements for Brake Servicing/Maintenance. Certain brakes, especially those utilized on microprocessor controlled cranes, which do not stop the function but only apply after the function is brought to a stop, require maintenance in addition to that required for brakes that stop the function, such as cleaning, burnishing, and conditioning. The activity shall review the crane and brake OEM maintenance and servicing instructions as well as the crane operational characteristics to ensure the brakes are maintained/serviced correctly and at the correct intervals to ensure they are operating at the correct level of performance and providing the correct torque.

3.6 Deferral of Maintenance Inspections, Lubrication, or Servicing/Maintenance. When an emergent or other contingent condition exists precluding the timely completion of a prescribed maintenance inspection or lubrication and servicing/maintenance schedule, the certifying official may authorize a deferral of the prescribed maintenance inspection (or portion of the maintenance inspection), lubrication, or servicing/maintenance. Technical justification for deferral shall be provided. Each deferral and justification shall be in writing and shall be filed in the equipment history file. If the crane certification is extended per paragraph 4.5.1, a written deferral of the maintenance inspection and/or lubrication and servicing schedules is not required. Deferred maintenance inspections, lubrication, or servicing/maintenance shall be completed as soon as the emergent or contingent condition is resolved.

3.7 Procedures for Maintaining Microprocessor Controlled Crane Systems. Activities with microprocessor controlled crane systems that incorporate user programmable software and/or firmware shall develop written procedures to manage their software and/or firmware. The procedures shall address control of files, revision controls (including naming/labeling of files), parameter listings, existing settings of programmable parameters, allowable crane design ranges of programmable parameters, procedures to upload/download files and/or change programmable parameters, and security procedures.

3.8 Special Boom Securement Requirement for Out-of-Service Derricks. When a derrick is taken out of service for 30 days or more, the boom shall be secured by one of the following methods: laid down, secured to a stationary member (as nearly under the head as possible, by attachment of a sling to the load block), lifted to a vertical position and secured to the mast, or for stiffleg derricks, secured against a stiffleg. This does not apply to derricks used in shipbuilding, ship repair, or shipbreaking.

<b>WEIGHT HANDLING EQUIPMENT DEFICIENCY REPORT</b>			
<b>ACTIVITY:</b>		<b>DEFICIENCY REPORT NUMBER:</b>	
<b>SUBJECT:</b>			
<b>PREPARED BY:</b>	<b>PHONE:</b>	<b>FAX or EMAIL:</b>	<b>DATE:</b>
<b>APPROVED BY:</b>	<b>PHONE:</b>	<b>FAX or EMAIL:</b>	<b>DATE:</b>
<b>CRANE OR EQUIPMENT ID:</b>	<b>MANUFACTURER/YEAR MANUFACTURED:</b>		<b>SPS CRANE Yes ___ No ___</b>
<b>MODEL/SERIAL NUMBER:</b>		<b>CAPACITY/TYPE:</b>	
<b>RESULTED IN ACCIDENT:</b> <input type="checkbox"/> YES <input type="checkbox"/> NO		<b>TYPE OF ACCIDENT:</b>	
<b>THIS REPORT GENERATED DUE TO:</b>			
<input type="checkbox"/> FAILURE/DEFICIENCY OF LOAD BEARING/LOAD CONTROLLING PART/OPERATIONAL SAFETY DEVICE/ DIESEL ENGINE – GENERATOR SET <input type="checkbox"/> FAILURE/DEFICIENCY OF A SECTION 14 ITEM AFFECTING SAFETY <input type="checkbox"/> DRAWING/DESIGN DISCREPANCY <input type="checkbox"/> OTHER FAILURE/DEFICIENCY CONSIDERED SIGNIFICANT			
<b>DESCRIPTION OF DEFICIENCY (INCLUDE MANUFACTURER'S PART NO., FEDERAL STOCK NO., ETC.):</b>			
<b>PROBABLE CAUSE:</b>			
<b>CORRECTIVE ACTION TAKEN/RECOMMENDATION:</b>			
<b>FOR NAVY CRANE CENTER USE: NAVY CRANE CENTER Control Number: _____</b>			
<input type="checkbox"/> CSA ISSUED <input type="checkbox"/> NO ACTION REQUIRED <input type="checkbox"/> <input type="checkbox"/> EDM ISSUED <input type="checkbox"/> MANDATORY CRANE ALT ISSUED <input type="checkbox"/> LIMITED SCOPE (ACTIVITIES CONTACTED) <input type="checkbox"/> SAFETY BRIEF/CRANE CORNER/OTHER PUBLICATION			
<b>REMARKS (EXPLANATION OF BOX CHECKED ABOVE):</b>			

Figure 3-1 (1 of 2)

## WEIGHT HANDLING EQUIPMENT DEFICIENCY REPORT INSTRUCTIONS

This form is designed for fax transmission without a cover page or by e-mail and, with enclosures and signatures, shall be the official document. Electronic submission will be accepted without signatures but the names of the preparer and approver shall be filled in. The e-mail address is m\_nfsh\_ncc\_whedr@navy.mil. The fax number is (757) 396-1772.

1. Activity: Enter the Standard Navy Distribution List (SNDL) plain language address (PLA) and unit identification code (UIC) for your activity.
2. Deficiency Report Number: Enter the deficiency report number from your activity in the following format: UIC-FY-0000 i.e., your unit identification code, a dash, the current fiscal year, a dash, and the number of the deficiency report from your activity in sequence (use four digits).
3. Subject: Enter the equipment part/component as applicable.
4. Prepared by: Enter the name and code of the person preparing the report.
5. Phone: Enter the phone number (DSN and commercial) of the person preparing the report.
6. Fax: Enter the fax four-digit extension or e-mail of the person preparing the report.
7. Date: Enter the date the report was prepared.
8. Approved by: Enter the name and code of the person approving the report.
9. Phone: Enter the phone number (DSN and commercial) of the person approving the report.
10. Fax: Enter the fax four-digit extension or e-mail of the person approving the report.
11. Date: Enter the date the report was approved.
12. Crane or Equipment ID: Enter the crane or equipment identification number from your activity numbering system.
13. Manufacturer/Year Manufactured: Enter the crane or other equipment manufacturer and the year made.
14. SPS Crane: SPS as defined by NAVSEA 0989-030-7000.
15. Model/Serial Number: Enter the model and serial number of the affected crane or other equipment.
16. Capacity/Type: Enter the capacity and type of crane or other equipment.
17. Resulted in Accident: Check appropriate box.
18. Type of Accident: List the type of accident if applicable (i.e., personal injury, load collision, crane collision, overload, two blocked, damaged load, derail, dropped load, damaged rigging gear, damaged crane, or other (be specific)).
19. This Report Generated Due to: Check appropriate box.
20. Description of Deficiency: Describe the deficiency. Attach photographs or drawings as necessary to convey the condition.
21. Probable Cause: State the probable cause as concluded from your investigation if applicable.
22. Corrective Action Taken/Recommendation: State corrective action(s) taken and your recommendation for Navy Crane Center action.
23. For Navy Crane Center Use: Reserved for Navy Crane Center use.

Figure 3-1 (2 of 2)

## SECTION 4 CERTIFICATION

4.1 Certification Program. The certifying official(s) shall ensure the activity's cranes are inspected, tested, and certified in accordance with this section. Certifications shall be based on the condition inspection and tests as prescribed herein. The purpose of the condition inspection is to ensure that the overall structural, mechanical, and electrical components of the equipment have been maintained in a safe and serviceable condition and are functioning properly. The purpose of the load test is to ensure by controlled operation with prescribed test loads that the equipment is capable of safely lifting and moving the rated load through all design motions. These inspections and tests shall be performed by technically competent inspection and test personnel under the direction of a designated test director. A test director is not required in a non-load test year.

4.2 Designation of Certification Personnel. The certifying official(s), including alternates, shall be designated in writing by the commanding officer, or by written command or regional instruction. The certifying official may be designated by position/title in lieu of name and the designation is considered to remain in effect until cancelled/revoked. The certifying official shall, in turn, designate in writing the authorized test directors and condition inspectors involved in the certification process. For activities that obtain weight handling certification services from other activities, they shall designate in writing the activity and services that are provided in lieu of the specific personnel. See section 7 and Appendix N for minimum personnel training and competency requirements.

4.3 Certification Action. The Certification of Load Test and Condition Inspection form shall be similar to that shown in figure 4-1. For mobile cranes, locomotive cranes, aircraft crash cranes, and category 4 cranes, an attachment shall be provided similar to figure 4-2. A card or tag with the crane identification number, certified capacity, and the certification expiration date, shall be posted in a conspicuous location on or near the crane (e.g. controller, power supply, cab, jib column). The date of the certifying official's signature is the official certification date, from which the certification expiration date is determined. The crane shall not be returned to service prior to obtaining the certifying official's signature except as provided in paragraph 4.5.4. The certifying official shall withhold certification pending the correction of all inspection deficiencies existing after the load test that, in his/her judgment, could cause unsafe conditions. For out of service cranes, after successful completion of the condition inspection and tests, a Certification of Load Test and Condition Inspection shall be signed by the test director, inspection personnel, and the certifying official within 60 days of the performance of the load test (or no-load test) or the condition inspection and load test shall be re-performed.

4.4 Certification Requirements. A crane shall not be used in service without a valid certification except to perform maintenance lifts when deemed safe to do so by the certifying official, activity engineering organization, or on-site designated inspectors. When only specific functions are to be certified (e.g., only the main hoist but not the auxiliary hoist), this condition shall be noted on the certification. The uncertified functions shall be appropriately tagged and, if practicable, made non-operational.

4.4.1 Annual Certification. The certification is valid for one year from the date of signature of the certifying official. The certification expiration date shall be one day prior to the anniversary date of the certification. The crane may remain in service on the expiration date. For example, if a crane is certified 30 June, the expiration date shall be 29 June of the following year.

The certification process shall include a condition inspection and appropriate tests. For category 1 and 4 cranes, the annual tests shall include a load test. Category 2 and 3 cranes shall be inspected, operationally tested (without load), and certified annually; however, a load test shall be performed at every fourth annual certification, as a minimum. The certification shall indicate when a crane is in the quadrennial load test program. The intent of the quadrennial load test program is one load test certification followed by three no-load test certifications. If an activity performs load testing at a periodicity other than annually or quadrennially, the test periodicity shall be noted on the certification form. For floating cranes (including mobile cranes mounted on barges), as a condition for certification, the barge shall be determined fit for further service as evidenced by a current material inspection report and documentation of a current regular overhaul (ROH) or an approved deviation of ROH, as required by OPNAVINST 4780.6.

4.4.2 Interim Recertification Requirements. (See paragraph 4.5.7 for interim recertification requirements after inadvertently exceeding the certified capacity during operation.)

4.4.2.1 When a Load Test is Required. When the adjustment, repair, disassembly, alteration, or replacement of a load bearing part, load controlling part, or operational safety device requires a load test for verification of satisfactory work performed, recertification is required. To determine if a load test is required, the component's impact on holding strength shall be assessed. If holding strength could be affected by the work performed (i.e., failure to make the proper adjustment, repair, etc., could result in dropping or uncontrolled lowering of the load), then a selective inspection, load test, and recertification shall be performed. This includes rotate and travel components when the rotate or travel function may operate on an inclined plane, such as the rotate function on floating and barge-mounted cranes, and a trolley on a luffing boom. When load tests are performed, they shall include applicable portions of both the static and dynamic tests of appendix E. The extent of inspection and testing may be limited, where practical, to those parts and components of systems affected, but shall fully ensure that the adjustment, repair, disassembly, replacement, or alteration has been performed correctly, and that the crane operates properly.

4.4.2.2 When a Load Test is Not Required. When the adjustment, repair, etc., of a load bearing or load controlling part or operational safety device does not require a load test for verification of satisfactory work, one of the following (at the activity's option) is required prior to returning the crane to service:

- a. After all work, inspection, and operational testing required by section 3 are completed, the work document(s) shall be signed by the chief engineer or the certifying official. An interim recertification is not required.

- b. A selective inspection, operational test, and recertification shall be performed. This is in addition to the inspection requirements of section 3.

4.4.2.2.1 Work Performed on Horizontal Movement Functions. Load testing is not required after work performed on rotate and travel brakes, friction clutches, and non-load bearing travel components where the load travels in a horizontal plane.

4.4.2.2.2 Adjustments to Return Hoist Brakes to Established Range/Tolerance. Load testing is not required after readjusting a brake's setting to within its established range/tolerance when it is outside the established range/tolerance provided all of the following conditions are met:

- a. The activity engineering organization has determined and documented the root cause(s) of the brakes going out of range/tolerance and has taken and documented corrective actions. The brake and/or crane OEM(s) have been consulted as appropriate.
- b. The brakes have been inspected and evaluated and no damage or deterioration is present other than worn brake linings/discs, which shall not be less than minimum thickness.
- c. No work or disassembly is performed on the brakes other than routine readjustments based on the brake and/or crane OEM and/or activity engineering procedures. These adjustments shall be detailed on a work document, witnessed and signed by an inspector, and reviewed by the chief engineer or certifying official.
- d. No load bearing parts, such as brake linings/discs or torque springs have been replaced.

4.4.3 Recertification not Required. Interim recertification is not required for the following:

- a. Adjustments, repairs, etc., to travel brakes and travel components on portal cranes due to redundancy.
- b. When any brake or friction clutch setting is within established range/tolerance and is readjusted within this range/tolerance.
- c. The following work on electrical circuits, diesel engines, and generators:

(1) Electrical Control and Power Distribution Circuits.

Replacing blown fuses and enclosed/module type plug-in relays with identical components and resetting tripped circuit breakers (provided that engineering has determined the cause of the failure; for activities without engineering services, follow the requirements of paragraph 4.4.2). For repetitive failures and failure trends, the chief engineer or certifying official shall concur with corrective actions by signing the work document.

Removing and reinstalling fuses for inspection.

Aligning electrical contacts (without disassembly).

Tightening or disconnecting and reconnecting (in the same location) electrical connections.

Reseating components or cards with "plug-in" connectors for electronic systems (as long as software is not reloaded).

Reseating, removing and re-installing motor and generator brushes (without disconnection).

Repairing or replacing meters and gauges.

Repairing or replacing cooling fans.

Replacing indicator lights and fixtures.

Removing, installing, or relocating "plug-in" controllers/components (such as a multi-location pendant controller or resolver) provided they were tested at the annual certification in all locations.

(2) Crane Mounted Diesel Engines and Generators.

Routine preventive maintenance.

Repair or replacement of the following:

Batteries and cables.

Gauges and indicators.

Exhaust system.

Starting and charging system.

Fluid hoses and connections.

Belts and filters.

The inspection and operational test requirements of section 3 apply to these actions.

4.4.4 Certification of Newly Procured Cranes. All applicable requirements of this section shall be met to certify the crane. This may be accomplished by the activity condition inspectors and test directors participating in and witnessing the contractor-performed acceptance tests (provided the acceptance test meets appendix E requirements as a minimum). A maintenance inspection is not required to certify a new crane.

4.5 Voiding of Certifications. All certifications are automatically void after one year; after exceeding the certified capacity during operation; or after an adjustment, repair, disassembly, replacement, or alteration of a load bearing or load controlling part or operational safety device which requires a load test for verification of satisfactory work (see exceptions below and paragraph 4.4.3). A deficiency, adjustment, alteration, etc., to one function (e.g., whip hoist) will not necessarily void the entire crane certification provided the affected function is appropriately tagged and, if practicable, made non-operational. Exceeding the certified capacity in a load test of a sample crane during a



Navy Crane Center WHE program evaluation or during a third party certification will not void a current certification or validation.

4.5.1 Exception for Extension of Certification for Emergent Conditions. When an emergent or other contingent condition exists precluding the timely certification of a crane, the commanding officer of the activity using the crane, with concurrence by the certifying official, may approve a certification extension. The approval shall be in writing and does not require an additional deferral of a required maintenance inspection. The certification extension shall not exceed 60 calendar days from the annual certification expiration date. Authority to extend a certification shall not be delegated. Before extending the certification, the crane shall pass a complete condition inspection, including functional testing through all motions at normal operating speed. Additionally, no-load testing of shaft failure detection systems and boom latching/pinning and multiple extend mode systems, as applicable, shall be performed. The certification may be extended regardless of whether the existing certification has expired, provided all conditions of this paragraph have been met. Each authorization to extend a certification shall be filed in the crane's equipment history file.

Note: For a crane that requires a third party certification, the Navy Crane Center will issue a new third party certification based upon a satisfactory condition inspection and an operational test with partial load (e.g., 25 percent of capacity). This certification will be effective for the life of the activity's certification extension.

4.5.2 Exception for Controlled Disassembly and Re-assembly. Controlled disassembly and re-assembly of load bearing/load controlling components for inspection, and for repairs to non-load bearing/load controlling parts, will not void the certification under the following conditions:

a. A written procedure is employed, prepared by the activity and approved by the certifying official and the Navy Crane Center. The procedure, in addition to step by step disassembly and re-assembly instructions, shall mandate in-process inspections and inspection point sign-offs and appropriate test requirements. Any changes to the procedure other than minor editorial changes shall also be approved by the certifying official and Navy Crane Center. Minor editorial changes shall be forwarded to the Navy Crane Center for information.

b. Components shall be disassembled and reassembled involving only fasteners, such as pins, bolts, and cap screws. All parts of the component are visible for inspection personnel to ensure re-assembly is proper.

c. No load bearing/load controlling parts are replaced or repaired, except for replacement of consumable items, such as cotter pins or lockwire. Non load bearing/load controlling parts may be repaired or replaced as allowed in the procedure.

d. Inspection of the disassembled parts shall reveal they are still serviceable, i.e., they have experienced no detrimental deterioration.

Note: Controlled procedures, as detailed in this paragraph, are not required for the annual inspections of cranes addressed in paragraph 4.5.4.

4.5.3 Exception for Re-reeving of Mobile Cranes and Installation of Ancillary Equipment. Mobile cranes are often equipped with ancillary equipment (jib, boom inserts and extensions, swing-away jib boom, power pinned fly section, etc.) and can typically be re-reeved to several different configurations (different blocks, different parts of line, etc.). Some category 3 pedestal mounted boom assemblies and category 4 cranes have multiple hook connection points. Changing the OEM's ancillary equipment configuration or re-reeving the crane will not void the annual certification when the following conditions are met:

- a. Prior to use, the OEM's ancillary equipment shall have been inspected and tested as part of the crane's annual certification. This applies to each annual certification thereafter.
- b. The annual certification shall be valid.
- c. A written ancillary equipment procedure (AEP) shall be developed by the activity to install and remove the ancillary equipment or to re-reeve the crane. The AEP shall be developed according to the OEM's instructions, this manual, and other applicable directives. The AEP shall define each configuration change, the exact sequencing for the installation and removal, and the selective inspection and operational test required after each assembly and disassembly of the ancillary system. The AEP and any changes other than minor editorial changes shall be approved by the certifying official and the Navy Crane Center. There shall be sufficient sign-offs in the AEP to ensure critical evolutions are completed. The approved AEP shall be retained in the equipment history file and the crane operator's instructions. Minor editorial changes shall be forwarded to the Navy Crane Center for information. The AEP shall be used each time the OEM's ancillary equipment is changed out or the crane is re-reeved including during the annual or quadrennial load test and certification.
- d. All components (pins, headache ball, hook, etc.) shall be clearly marked to designate their specific location in this system. Their use shall be restricted to the specific mobile crane. Components may not be interchanged unless approved by the OEM.
- e. See section 6 for restrictions on the use of wedge sockets for wire rope end connections.
- f. For each use, the completed AEP or signoff sheet shall be filed in the equipment history file.
- g. Removal or addition of ancillary equipment from/to the crane after initial acceptance without a Navy Crane Center approved AEP is considered a crane alteration and shall be processed in accordance with Section 6.

h. See paragraph 10.8.3 for additional operational and rigging requirements during assembly and disassembly of cranes.

i. Main and auxiliary hoists may be interchanged if allowed by the OEM, the hoists have the same line pull, and this is documented and performed on an AEP.

j. Non-OEM components that have been approved and installed by crane alteration request may be considered as components covered by AEPs.

Note: An AEP is not required to test various configurations of ancillary equipment during the annual certification and load test; however, if an AEP is not utilized, the certification is voided if the crane is reconfigured after the annual testing and certification.

#### 4.5.3.1 Exceptions to Paragraph 4.5.3, and Other Uses of AEPs.

4.5.3.1.1 Exception for Removable Outrigger Pads, Counterweights, and Outrigger Extension Pins on Mobile Cranes. Outrigger pads, counterweights, and outrigger extension pins on mobile cranes that are designed to be removed for travel, and counterweights that are removable to allow for different crane capacities, may be removed and reinstalled without AEPs and without voiding the certification. Removable outrigger pads, counterweights, and extension pins shall be uniquely identified to a specific crane or group of cranes and their use shall be restricted to those cranes. OEM instructions shall be followed when removing or installing outrigger pads, counterweights, and outrigger extension pins. All outrigger pads, counterweights, and extension pins (if load-bearing) shall be load tested at the annual certification. All counterweights and the specific counterweight configuration(s) tested shall be noted on the certification form(s).

4.5.3.1.2 Boom Angle and Extension Pins on Category 3 Pedestal Mounted Commercial Boom Assemblies and Category 4 Cranes. Boom angle and extension pins on category 3 pedestal mounted commercial boom assemblies and category 4 cranes may be removed and reinstalled without AEPs and without voiding the certification. The pins shall be uniquely identified to a specific crane and location (boom angle or extension), load tested with that crane, and their use shall be restricted to that crane. OEM instructions shall be followed when removing or installing the boom angle and extension pins. All boom angle and extension pins shall be load tested at the annual (or quadrennial) load test.

4.5.3.1.3 Gantry Frame Extension Pins on Category 2 and 3 Gantry Cranes. Removable pins used to raise and lower category 2 and 3 gantry cranes may be removed and reinstalled without AEPs and without voiding the certification. The pins shall be uniquely identified to a specific crane (or be designed such that they cannot be separated from their gantry frame), load tested and certified with that crane, and their use restricted to that crane. OEM instructions shall be followed when removing or installing the extension pins. The crane shall be load tested during the certification load test at the highest elevation for which use is anticipated.

4.5.3.1.4 Other Uses of AEPs. AEPs may be used for additional work other than installing and removing ancillary equipment on mobile cranes. AEPs may be used for disassembly and reassembly of portable gantry cranes and removal and reinstallation of a hoist or hoist/trolley in the same location. Follow requirements of paragraph 4.5.3.

4.5.4 Exception for Continuance for Productive Service for Category 2 and 3 Cranes. The intent of this section is to optimize category 2 and 3 crane availability for productive service after completion of the pre-certification inspections and load (or operational) test, provided no deficiencies that could cause an unsafe condition are found during inspections or load test. Crane availability is greatly enhanced when the current annual certification remains in effect. Continuance of the certification is achievable by scheduling the maintenance and condition inspections and tests for the ensuing certification sufficiently in advance of the expiration of the current certification. The following requirements shall apply:

- a. The current certification will not be voided by the subsequent maintenance and condition inspections (including adjustments and disassembly of load bearing and load controlling parts, or operational safety devices) and load test. However, if a load bearing part, load controlling part, or operational safety device is adjusted or disassembled and a load test is required in accordance with paragraph 4.4.2.1, the crane must be removed from service until the load test is satisfactorily completed.
- b. No deficiencies that can cause an unsafe condition are found during the inspections or load (or operational) test.
- c. The current certification is still valid.
- d. When the test director has determined that the crane has successfully passed the inspections and load (or operational) test, it may continue in productive service under the conditions of the current certification.
- e. The new certification shall be signed by the certifying official within 10 calendar days of the date of the completion of the new load (or operational) test. If not, the current certification is void and the crane shall be removed from service.

It is acceptable to temporarily interrupt productive service to perform portions of the maintenance and condition inspections and then return to productive service provided that disassembly of load bearing or load controlling parts has not occurred and no major deficiencies are found; however, the entire process must be completed within 45 days after the first inspection is started or the current certification is void and the crane shall be removed from service.

4.5.5 Exception for Recalibration of Load/Moment Indicating Devices, Overload Indicators, Radius Indicators, Boom Length Indicators, and Boom Angle Indicators. Recalibration of electronic load/moment indicating devices, overload indicators, load shutdown devices, hydraulic LIDs, radius indicators, boom length indicators, and boom angle indicators by comparing with certified test weights, measured distances, angles, etc., will not void the certification, and may be performed without Navy Crane Center

approval provided the load does not exceed 110 percent of the crane's certified capacity (105 percent for mobile cranes, aircraft crash cranes, mobile boat hoists, rubber-tired gantry cranes, and category 4 cranes).

4.5.6 Interim Recertification Requirements for Cranes in Relocatable Buildings or Cranes Being Relocated Among Relocatable Buildings. Certified cranes installed in relocatable buildings or in similar buildings with identical cranes (e.g., shipyard enclosure cranes) shall be recertified after a relocation of the building and prior to use, as follows:

- a. If the crane is installed and secured in the building during building relocation, it shall be given a condition inspection, operationally tested, and certified.
- b. If the crane is removed from the crane rails and reinstalled, it shall be given a condition inspection, load tested, and certified, unless the removal and reinstallation of the crane does not require disassembly of load bearing components, in which case an operational test may be performed in lieu of a load test. This requirement also applies to cranes that are being relocated in non-relocatable buildings.

If a crane is removed for repair and/or recertification, or if an alternate crane is to be installed, an operational test may be performed after the crane is installed provided there is no disassembly of load bearing components after the crane is certified.

4.5.7 Loading in Excess of Certified or Test Capacity. Except for load tests and planned evolutions during maintenance periods, a crane shall not be planned to be loaded in excess of its certified capacity without Navy Crane Center approval. Requests for loading in excess of certified capacity for production lifts shall be submitted to the Navy Crane Center by official letter. The request shall document that there are no other safer means available (including leased equipment) to make the lift.

If overloading occurs inadvertently, and the amount of overload is known to not exceed 125 percent (105 percent for mobile cranes, locomotive cranes, aircraft crash cranes, mobile boat hoists, rubber-tired gantry cranes, and category 4 cranes) of the certified capacity (including appropriate allowance for impact, if any), the effects of the overloading shall be evaluated by the activity engineering organization and corrective action(s) taken as required. As a minimum, a condition inspection of the affected parts shall be accomplished and the crane shall be operationally tested and recertified. If an inadvertent overload exceeds 125 percent (105 percent for mobile cranes, locomotive cranes, aircraft crash cranes, mobile boat hoists, rubber-tired gantry cranes, and category 4 cranes) of the certified capacity, or the amount of overload is unknown, an engineering evaluation, a condition inspection, and a load test are required for recertification. Where only distinct portions of the equipment are affected (e.g., overload of whip hoist), only those portions need to be inspected and tested.

When a crane's test load is exceeded during certification testing, and the amount of overload is known, an engineering evaluation for damage, and a condition inspection

are required. The activity may consult with the Navy Crane Center (Code 03) to determine if a load test may be waived.

**4.6 Condition Inspection.** A condition inspection shall be performed before, during, and after the load test. A crane condition inspection record (CCIR) similar to that shown in figure 4-3 shall be used to record results of the inspection. The inspection shall, in general, be by sight, sound, and touch with the depth and detail limited to that necessary to verify the overall condition. It is not intended to be in the same detail as a maintenance inspection. Each item on the CCIR shall be marked as either satisfactory or unsatisfactory. Where an item or inspection is not applicable, the symbol "NA" shall be used or the appropriate block blanked out. A description of unsatisfactory conditions shall be noted in the "Remarks" portion of the form. The completed CCIR shall be included with the crane certification form submitted to the certifying official. Except for category 2 and 3 cranes, the condition inspection shall be a separate inspection from the maintenance inspection addressed in section 3. For category 2 and 3 cranes, if no major deficiencies are found in the maintenance inspection, and if no work is done between the maintenance inspection and the load test, the maintenance inspection may serve as the "before" portion of the condition inspection. Both inspection forms shall be fully completed. In a non-load test year, only the "before" portion of the CCIR needs to be completed. In this case, the "during" and "after" columns shall be blanked out or marked "N/A". A test director is not required to be present or sign the CCIR in a non-load test year (mark "N/A").

In the event that major deficiencies are identified, the deficiencies shall be corrected prior to starting or completing the load test. Corrective action shall be properly documented. If a major deficiency is found after the load test, it shall be corrected, and a selective load test shall be performed to test the component(s) corrected (if required by paragraph 4.4.2.1). When a selective load test is performed, a condition inspection shall be performed on all items on the CCIR that experienced greater than normal loading to ensure that the load test has not caused any damage. A record of the retest shall be recorded in the "Remarks" portion of the CCIR. Elements of the operator's pre-use check (section 9) and the no-load portions of the appendix E tests may be performed simultaneously with the "before" portion of the condition inspection.

For cranes idle for a period greater than six months, a condition inspection and operational test shall be performed prior to returning the crane to service; however, recertification is not required. A CCIR shall be used to record results of the inspection. (This does not apply to jib cranes, pillar cranes, pillar jib cranes, monorails, davits, portable gantry/A-frames, or fixed overhead hoists.).

**4.6.1 Additional Inspections for Floating Cranes.** If a floating crane (including mobile cranes used on barges) is to be used in operations for a period of one year or longer, the following shall be included in the annual condition inspection of the barge:

- a. Cleats, bits, chocks, fenders, capstans, ladders, and stanchions, for corrosion, wear, deterioration, or deformation that could impair the function of these items.
- b. External evidence of leaks and structural damage; evidence of leaks and damage below the waterline may be determined through internal inspection of the barge.

- c. Four-corner draft readings.
- d. Firefighting equipment for serviceability.
- e. Rescue skiffs, lifelines, work vests, life preservers, and ring buoys for proper condition.

4.7. Load Test. The load test shall be performed in accordance with the procedures set forth in appendix E and any special requirements specified for the particular crane by the OEM or the activity engineering organization. The actual test load(s), in pounds, and the actual test load percentage(s), together with a list of the applicable test paragraphs of appendix E (including all applicable subparagraphs), shall be entered on the Certification of Load Test and Condition Inspection. Elements of the operator's pre-use check (section 9), "before" portion of the CCIR, and no-load portions of the appendix E tests may be performed simultaneously. For cranes in the quadrennial load test program in a non-load test year, only the "No-Load Test" portion of the appendix E test needs to be completed.

4.7.1 Test Loads. The nominal test load shall be 125 percent of the rated capacity (100 percent for mobile cranes, locomotive cranes, aircraft crash cranes, mobile boat hoists, rubber-tired gantry cranes, and category 4 cranes; 110 percent when these cranes are third party certified). The actual test load shall be within +0/-5 percent of the nominal test load. Load testing with loads outside the limits specified herein is not authorized (see exceptions in paragraph 4.5.5 and appendix C, item 56). For mobile cranes, the actual test load shall be based on the combination of test weights, rigging, and specified crane component weights (i.e., hooks, blocks, ancillary devices, etc., and for some cranes the hoist wire rope not accounted for in the load charts). Follow OEM load chart instructions. For mobile boat hoists and category 4 cranes, refer to OEM criteria for component weight requirements and values. For other types of cranes, the actual test load shall be the weight of the load, including rigging gear, suspended from the hook. For cranes that cannot be load tested to the specified overload percentages due to OEM restrictions or designs that prevent periodic overload tests, the cranes shall be down rated to 80 percent of the OEM's allowable test load (90 percent for third party certified mobile cranes and category 4 cranes) and tested to the requirements of this publication. Document reduced capacity by crane alteration in accordance with section 6.

4.7.1.1 Test Weights. Testing of cranes shall be done with the use of test weights. The use of dynamometers in lieu of lifting test weights is not permitted. Each test weight for crane tests (and for rigging gear tests where test weights are used) shall be marked with a unique identification number and the weight in pounds. The weight marked shall be the actual weight taken from the scale or other measuring device. Solid weights shall be measured using calibrated equipment traceable to the National Institute of Standards and Technology (NIST), with a minimum accuracy of +/- two percent (i.e., indicated weight shall be within +/- two percent of actual weight). Water bag type weights may be used, except for mobile crane and category 4 crane tests. Water bag type weights shall be used and stored in accordance with OEM recommendations. The metering device/gauge used to determine the amount of water

in the bag shall be calibrated annually using equipment traceable to NIST, and shall ensure that the weight has a minimum accuracy of +/- two percent. Alternatively, a load indicating device (LID) meeting the above calibration and accuracy requirements may be used in lieu of a metering device. A list of test weights, with identification numbers and weights, shall be retained. The list shall include the type and serial number (or other identifier) of the weighing device(s) used to weigh the test weights. Where a lifting attachment supports multiple test weights (e.g., stacked weights or multiple weights suspended from a padeye), the total capacity shall be marked on the attachment.

4.7.2 Hoist Roll Back. When cranes exhibit hoist roll back, as defined in appendix A, the using activity shall ensure:

- a. That the roll back condition is determined to be an inherent condition of the crane. If not, appropriate corrective action shall be taken.
- b. That the roll back characteristic does not preclude continued use of the equipment in the current application. Documentation of inherent roll back and continued operation determinations shall be included in the equipment's history file.

Note: Testing for this condition is not required for hoists equipped with mechanical load brakes.

4.7.2.1 Hoist Roll Back at or Less Than the Rated Capacity. For cranes where roll back occurs at or less than the rated capacity of the crane, the using activity shall ensure:

- a. That the minimum load where roll back occurs be determined for each speed point. This is a one-time test. The loads where roll back occurs shall be clearly posted on the crane and recorded in the crane's equipment history file.
- b. That crane rigging and operational personnel are trained specifically on the equipment characteristics.
- c. That procedures are established for handling loads at or near roll back conditions that require special attention in handling or landing loads in close proximity.

4.8 Third Party Certification of Cranes, Derricks, and Other Devices used in Cargo Transfer and Floating Cranes and Floating Derricks (Including Barge-Mounted Mobile Cranes) used in Shipbuilding, Ship Repair, and Shipbreaking. Per OSHA regulations, cranes, derricks, and certain other devices (see paragraph 4.8.2) used in cargo transfer and floating cranes and floating derricks used in shipbuilding, ship repair, and shipbreaking shall be certified by an OSHA recognized certification agency. The Navy Crane Center is recognized by OSHA as a third party certifier of Navy owned cranes per the requirements of this publication (Navy Crane Center cannot third party certify contractor or base operating service (BOS) contractor owned cranes). Third party certification requirements apply to cranes and other devices at Navy activities in the United States and its territories.



Notes: Non-floating cranes, derricks, and other devices used in shipbuilding, ship repair, and shipbreaking do not require third party certification. Lifting of components, materials, parts, etc. associated with shipbuilding, ship repair, or shipbreaking is not cargo transfer. Loading of ship's stores does not require third party certification. Lifting of hoses and ship's brows does not require third party certification. In accordance with 29 CFR 1918.1, effective 21 January 1998, cargo transfer performed with the use of shore-based cranes and derricks is governed by 29 CFR 1917. Mobile cranes placed aboard vessels for cargo transfer will continue to be governed by 29 CFR 1918. The following is Navy policy for implementation of the certification requirements of these standards.

4.8.1 Cranes and Derricks. For Navy owned cranes and derricks maintained, inspected, and certified to this publication, third party certification shall be performed by the Navy Crane Center. This third party certification is in addition to certification by the designated certifying official as addressed in paragraph 4.1. For Navy owned cranes and derricks operated or maintained by contract (e.g., BOS contracts), activities shall ensure contracting officers include the requirement for Navy Crane Center third party certification of applicable cranes in contracts. See appendix M for certification procedures.

For all other cranes and derricks (including rented, leased, and contractor owned and operated cranes and derricks) used in the above noted operations, third party certification shall be by an OSHA accredited certification agency in accordance with OSHA regulations (or a third party certification from a state accredited organization for those states with OSHA approved state plans). A list of currently accredited agencies may be obtained from the area OSHA office. Long-term (over four months) BOS contractor leased cranes and derricks that are third party certified at a different time than the certification required by paragraph 11.4.1, and given a load test at a higher test weight percentage than the requirements of this document shall have a condition inspection performed and signed by qualified personnel. The third party certification test does not void the NAVFAC P-307 certification when performed at a different time than NAVFAC P-307 certification.

Note: Cranes and derricks used in cargo transfer shall be fitted with an LID or alternate device meeting OSHA requirements. The LID may be integral with the crane or may be hung from the hook provided a readout is located in the crane cab. An LID is not required when the crane is used to handle cargo, that is known (i.e., units hoisted are marked) to weigh less than 11,200 pounds and when 11,200 pounds is less than the rated capacity of the crane at the maximum radius possible under the conditions of use at the time. Additionally, portal and bridge cranes used in cargo transfer shall be fitted with a wind indicating device meeting OSHA requirements.

4.8.2 Below-the-Hook-Lifting Devices, and Other Rigging Equipment Used in Cargo Transfer. (Examples of below-the-hook lifting devices requiring third party certification include container spreaders, spreader beams, lifting devices for unique cargo, and bar pallet bridles that have some components that are not off-the-shelf items.)

Below-the-hook lifting devices (i.e., does not include common rigging gear) with rated loads greater than 10,000 pounds purchased or manufactured after 21 January 1998 shall have a third party certification by an OSHA recognized agency prior to use. This is a one-time third party certification unless the spreader or device undergoes a repair that requires

a load test; in that case another third party certification will be required. For Navy owned devices used in cargo transfer, the certification shall be by the Navy Crane Center and shall include an inspection and load test at the test load percentages noted in table 14-1. Proof of load test by the OEM is acceptable in lieu of a load test by the activity. Third party certifications shall be retained in the equipment's history file for the life of the gear. For contractor owned devices used in cargo transfer, the requirements of 29 CFR 1917.50(c) apply. Third party certification is not required for devices purchased or manufactured prior to 21 January 1998, or for devices with rated capacities of 10,000 pounds or less. For all other rigging equipment used in cargo transfer, third party certification is not required, but an initial proof test from the OEM is required.

4.9 Mobile Cranes Temporarily Mounted on Barges or Other Floating Structures. Mobile cranes certified for use on shore may be mounted on barges or other floating structures (such as floating piers) after meeting the requirements detailed below.

4.9.1 Selecting and Down Rating the Mobile Crane. The activity engineering organization shall select the appropriately sized mobile crane for the job. The OEM's load chart and certification based on load testing on shore are invalid when mounting mobile cranes on barges (or other floating structures). Barge stability calculations shall be performed and reduced load charts, if required based on maximum list and trim noted below, shall be established by the activity engineering organization and approved by the certifying official. The engineering analysis shall include whether or not the crane will travel (with or without load) on the barge deck, the specific areas allowed for travel, and what matting will be required). The activity shall determine if further down rating is necessary based on such factors as weight of the load, sail area of the load, and underwater current. If the floating structure meets the requirements of UFC 4-152-01 or MIL-HDBK 1025/1, then no down rating of the mobile crane, stability calculations for the floating pier, or additional load testing are required.

4.9.2 Load Testing. Prior to use, the crane shall be load tested on the barge and recertified. Test loads shall be 100 (+0, -5) percent of the reduced load chart capacities (110 (+0, -5) percent if these cranes are third party certified). List and trim shall not exceed 3 degrees during the load test and shall be within the crane OEM's requirements. Additionally, a minimum of 12 inches of freeboard shall be maintained during the load test. The reduced load chart test need only include the appendix E tests that induce the maximum load on the outrigger pads and the rotate brake; however, if the local engineering organization cannot determine which tests are required, the entire appendix E test shall be performed. The load test need not be re-performed during the annual certification period if the crane is removed and subsequently replaced on the barge provided the crane/barge configuration remains the same and a controlled assembly procedure, similar to an AEP, is used for the removal/installation of the crane on the barge. Load testing on the barge shall be performed once yearly as a minimum.

4.9.3 Sizing and Analyzing the Barge Deck. The engineering organization shall conduct an analysis of the barge deck structure for the expected crane outrigger (or crawler) and tie-down loads. Except for crawler cranes without outriggers/stabilizers, the crane shall be equipped with and used on outriggers/stabilizers. Outriggers/stabilizers shall rest on wood blocking. The crane carrier frame shall be

secured to the barge deck with tie-downs to resist lateral loads. Tie-down sizes shall be calculated by the activity engineering organization based on expected maximum lateral loads and shall have some slack when the crane is fully raised on outriggers/stabilizers. For cranes used in construction, the activity shall ensure that the barge or pontoon has a subdivided hull with one or more longitudinal watertight bulkheads. The barge shall have access to void compartments to allow for inspection and pumping.

4.9.4 Posting of Load Charts. A load chart that reflects the capacities of the crane on the barge shall be posted in the operator's cab. The operational pitch, roll, and wind speed limitations, as noted below, shall also be posted.

4.9.5 List, Trim, Wind Speed, and Radius Indicators. A marine type list and trim indicator, readable in one-half degree increments, shall be installed in the operator's cab. In addition, a wind speed indicating device and a radius indicator shall be provided.

4.9.6 Third Party Certification Requirements. Mobile cranes mounted on barges for shipbuilding, ship repair, shipbreaking, or cargo transfer at naval activities in the U. S. and its territories also require a third party certification by the Navy Crane Center per appendix M. Recertification is not required when returning the crane to shore service at full load capacities.

4.9.7 Additional Operational Requirements. Lifts shall be conducted in calm seas only. Operating pitch and roll of the barge shall not exceed three degrees. The crane shall not be operated in winds in excess of wind speeds permitted by the crane OEM for use on barges or, in the absence of OEM guidance, 15 knots. Additionally, a minimum of 12 inches of freeboard shall be maintained and the entire bottom area shall be submerged during all lifting operations.

4.9.8 Exception to Recertification Requirements. When an activity uses multiple identical cranes on a specific barge, and the activity develops a controlled procedure for the removal and installation of the cranes on that barge, then the testing of one mobile crane on the specific barge may serve as the test for all identical mobile cranes on that barge. The controlled installation procedure must specify testing of the rotate brake on the specific barge or a barge with similar list and trim properties.

## CERTIFICATION OF LOAD TEST AND CONDITION INSPECTION

Activity _____			Building/Location _____				
Crane No. _____	Type _____	OEM's Rated Capacity			Certified Capacity (If different from OEM's rated capacity, explain in "Remarks")		
		Main _____ lbs.	_____ feet	Main _____ lbs.	_____ Feet		
		Aux _____ lbs.	_____ feet	Aux _____ lbs.	_____ Feet		
		Whip _____ lbs.	_____ feet	Whip _____ lbs.	_____ Feet		
<input type="checkbox"/> Annual Certification <input type="checkbox"/> Interim Recertification (Reason _____)			Appendix "E" Applicable Crane Test Procedure Paragraphs (Include applicable subparagraphs)				
<input type="checkbox"/> Quadrennial Load Test (check box when crane is in quadrennial program and is load tested.)							
Date of Previous Load Test _____							
Category 1 or 4 Cranes*							
Boom Length	Test Load %	Minimum Radius		Load Moment or Maximum Radius			
Hoist		Pounds	Feet	Pounds	Feet		
Main							
Aux							
Whip							
Other							
Hook Tram Measurements		Base Meas.	Before Test	After Test			
Main Hook							
Aux Hook							
Whip Hook							
Other							
Category 2 Cranes							
Hoist	Test Load %	Pounds	Hook Tram Measurements				
			Base Meas.	Before Test	After Test		
Main							
Aux							
Other							
Category 3 Cranes							
Hoist	Test Load %	Pounds	Hook Tram Measurements			Test Director (Signature) _____	Date _____
			Base Meas.	Before Test	After Test		
Main						Inspector (Signature) _____	Date _____
Aux						Inspector (Signature) _____	Date _____
Other						Inspector (Signature) _____	Date _____
Annual Certifications Since Hook NDT _____			Certifying Official (Signature) _____			Date _____	
Hook Material and Manufacturing Method _____			Expiration Date _____				
Remarks							
* For mobile cranes, list all test loads and configurations (e.g., over side/over rear, boom extended/retracted, lifts on tires, traveling, etc.). If necessary, use figure 4-2.							

Figure 4-1

**CERTIFICATION OF LOAD TEST AND CONDITION INSPECTION  
(SUPPLEMENT FOR MOBILE CRANE TESTS)**

Complete as applicable for the type of crane certified. Indicate "NA" for configurations that do not apply

Crane No.

Lattice Boom Crane			Telescoping Boom Crane			
Boom Length (Feet)						
On Outriggers	Test Load	Radius	On Outriggers	Test Load	Radius	Boom Length
Maximum Certified Capacity			Maximum Certified Capacity			
Load Moment			Load Moment			
Free-Fall Mode			Free-fall Mode			
On Rubber (Stationary)	Test Load	Radius	On Rubber (Stationary)	Test Load	Radius	Boom Length
Maximum Certified Capacity			Maximum Certified Capacity			
On Tires or Crawler Tracks (Pick and Carry) (Describe configurations and list test loads/radii)			On Tires (Pick and Carry) (Describe configurations and list test loads/radii/boom length)			
Other Configurations, including ancillary equipment if applicable. (Describe and list test loads/radii)						

Figure 4-2

## CRANE CONDITION INSPECTION RECORD

Note: Inspect components that are reasonably accessible without disassembly.

Crane No.:	Type:	Location:	Operator's Name:	Operator's License No.		
Purpose of Inspection:		Legend: B = Before A = After D = During		Date Started:	Date Completed:	
Item No.	Item Description	B	D	A	Insp/ Init.	
1	Inspect structural components for damaged or deteriorated members, and for evidence of loose and missing fasteners and cracked welds.					
2	Inspect wire rope for wear, broken wires, corrosion, kinks, damaged strands, crushed or flattened sections, condition of sockets, dead end connections, and for proper lubrication.					
3	Inspect hooks for cracks, sharp edges, gouges, distortion, and freedom of rotation.					
4	Inspect hoist brakes and clutches on all cranes, and rotate brakes on floating cranes for condition, wear, proper adjustment and proper operation. Spot check horizontal movement brakes and clutches for condition, wear, proper adjustment and proper operation.					
5	Inspect controls and control components for condition and proper operation. For cranes that utilize secondary or backup controllers, all controllers shall be operationally tested during either the maintenance inspection or the condition inspection/test. Annotate in Remarks block which controllers have been operationally tested during the maintenance inspection.					
6	Inspect motors for condition and proper operation.					
7	Inspect limit switches for condition and proper operation. (Hook lower limit switch inspections/verifications (where a switch is set for drydock or pit operation) and secondary upper limit switch inspections/verifications may be performed at the maintenance inspection in lieu of the condition inspection . Annotate in Remarks block if performed at the maintenance inspection.)					
8	If a load test is performed at certification, inspect LIDs, load warning devices, and load shutdown devices for condition and working accuracy as specified in appendix C or D as applicable. (This may be performed at the maintenance inspection in lieu of the condition inspection. Annotate in Remarks block if performed at the maintenance inspection.)					
9	Inspect mechanical equipment (shafts, couplings, gearing, bearings, etc.) for condition and proper operation.					
10	Inspect sheaves for condition and evidence of loose bearings and misalignment.					
11	Inspect wheels, axles, and trolley rails (as applicable) for uneven wear, cracks, and for condition and evidence of loose bearings and misalignment.					
12	Inspect load chains and sprockets for condition and proper operation.					
13	Verify capacity chart or hook load rating data is in view of operator and/or rigging personnel.					

Figure 4-3 (1 OF 2)

Item No.	Item Description	B	D	A	Insp/ Init.
14	Inspect operator's cab for cleanliness and operation of equipment.				
15	Inspect machinery house/area for cleanliness, proper safety guards, warning signs, and storage of tools and equipment.				
16	Verify proper operation of indicators, indicator lights, gauges, and warning devices.				
17	Verify current inspection of fire protection equipment.				
18	Verify that pressure vessel inspection certificates are posted and current. (See UFC 3-430-07 or appropriate document for test procedures.)				
19	Inspect outriggers, pads, boxes, wedges, cylinder mountings and level indicators for condition and proper operation.				
20	Inspect tires, crawler tracks, travel, steering, braking, and locking devices for condition and proper operation. (Applies to mobile cranes, mobile boat hoists, rubber-tired gantry cranes, and certain category 4 cranes.)				
21	Verify accuracy of radius and/or boom angle indicator as specified in appendix C. (This may be performed at the maintenance inspection in lieu of the condition inspection. Annotate in Remarks block if performed at the maintenance inspection.)				
22	Inspect pawls, ratchets, and rotate locks for proper engagement and operation of interlocks.				
23	Inspect tanks, lines, valves, drains, filters, and other components of air systems for leakage and proper operation.				
24	Inspect reservoirs, pumps, motors, valves, lines, cylinders, and other components of hydraulic systems for leakage and proper operation.				
25	Inspect engines and engine-generator sets for condition and proper operation.				
26	Inspect counterweights and ballast for condition and evidence of loose and missing fasteners.				
27	Verify barge compartment (voids) cover bolts are installed.				
28	Verify accuracy of list and trim indicators against design data or previous test data.				
29	Inspect rotate path assembly and center pin steadiment/support assembly for condition and proper operation.				
30	Inspect slewing ring bearings for condition and proper operation.				
31	Inspect travel trucks, equalizers, and gudgeons for condition and proper operation.				
Remarks:					
Inspector Signature/Date:			Test Director Signature/Date:		
Inspector Signature/Date:			Inspector Signature/Date:		

Figure 4-3 (2 of 2)

(INTENTIONALLY LEFT BLANK)



**SECTION 5  
EQUIPMENT HISTORY FILE**

5.1 Equipment History File. Each activity shall establish and maintain an individual equipment history file on each crane. The equipment history file shall contain the documentation shown in table 5-1 for the time period indicated. The files shall be made available to Government oversight agencies (e.g., OSHA, Navy Crane Center) upon request. For convenience, the files may be together in one central location, or portions of the file may be located separately so long as they are available upon request. Electronic versions of equipment history files are acceptable.

Table 5-1  
Equipment History File

	<b>Documentation</b>	<b>Minimum Retention Time</b>
1	MISRs (Indicate the scheduling basis, either hour meter or calendar month)	
1.1	Type "A" inspection	Latest plus previous two (if on calendar basis) or latest plus previous two years (if on engine hour operating basis)
1.2	Type "B" inspection	Latest plus previous one
1.3	Type "C" inspection	Latest plus previous one
1.4	Type "Annual"	Latest plus previous load test year
2	Crane Operator's Daily Checklist (Monthly checklist for non-cab operated category 3 bridge, gantry, and wall cranes). Monthly inspection of floating cranes used in construction.	Current month plus previous month (current month plus two previous months for cranes used in construction) Current month plus five previous months for 3 <sup>rd</sup> party certified cranes.
3	SROs or other work documents	
3.1	Load bearing/load controlling parts and operational safety devices	Seven years
3.2	All others	One year
3.3	Work documents invoking crane alterations	Life of crane
4	Non-destructive test reports	Latest (for component)
5	CCIR	Current (including interims) plus previous load test year
6	Certification of Load Test And Condition Inspection	Current (including interims and extensions) plus one previous load test certification
7	Third party certifications (for applicable cranes)	Current plus one previous certification

Table 5-1  
(continued)

	<b>Documentation</b>	<b>Minimum Retention Time</b>
8	Wire rope breaking strength certification for new cranes and for replacement wire rope on existing cranes (including standing ropes). Either the rope manufacturer's certification that the rope meets the published breaking strength, or certification of the actual breaking strength of a sample taken from the reel and tested)  (Note: For cranes used in cargo transfer, a wire rope certification is required for running rope regardless of the age of the crane and it shall be a certification of actual breaking strength.)	Latest
9	Crane alterations	Life of crane
10	Deficiency reports (i.e., load bearing or load controlling parts or operational safety devices)	Seven years
11	Purchase contracts (if available)	Life of crane
12	Accident reports	Life of crane
13	Hook tram point base measurement	Life of hook
14	Operational lifts exceeding the certified capacity	Life of crane
15	Specification data sheets	Life of crane
16	Crane acceptance test (if available)	Life of crane
17	AEPs	Life of crane
17.1	Completed AEPs or signoff sheets when used	Seven years
18	Crane roller clearance data standard of acceptance	Life of crane
19	Slewing bearing clearance readings	Life of bearing
20	Oil analysis/vibration analysis data	Life of component
20.1	(Alternate. Internal gear inspection report)	Latest
21	Material inspection report for floating cranes (per OPNAVINST 4780.6)	Latest, including waivers of depot availability
22	Coupling alignment data per appendices C or D	Latest
23	Lubrication records	One year
24	Hoist rollback data	Life of crane
25	Controlled disassembly reassembly procedures	Life of crane
25.1	Completed procedures when used	Seven years
26	Hoist brake actuator Belleville torque spring cycle limit	Life of component
27	Individual hoist brake actuator Belleville torque spring number of cycles	Latest
28	Hydraulic mobile crane OEM inspection and replacement intervals for hoist drives. Age of crane/component.	Life of crane/component
29	Setting of load shutdown device (see paragraph 5.10)	Life of crane/component
30	Copy of crane rail certification per NAVFACINST 11230.1	Current certification
31	Maintenance inspection, lubrication, or servicing deferral and justification	Latest
32	Floating crane barge maintenance documentation (see paragraph 3.1)	Latest plus previous year
33	Type of hook material and hook manufacturing method (If available)	Life of hook
34	OEM service and operational bulletins received in accordance with paragraphs 3.2.2 and 9.3.1	Life of crane or associated part
35	Documentation of barge maintenance for floating crane(in accordance with OPNAVINST 4790.4 and barge OEM)	Current year plus previous year
36	Documentation of hoist secondary limit switch testing in accordance with MISR item C 64 or D 29	Latest

## SECTION 6 ALTERATIONS AND ENGINEERING

6.1 Crane Alteration Request Form. Alterations shall be documented using the Navy Crane Center "Crane Alteration Request" (CAR) form. (See figure 6-1.)

6.2 Navy Crane Center Approved Alterations. Except as noted, alterations to load bearing parts, load controlling parts, or operational safety devices (including these parts and devices on hoists, cranes, and cranes structures covered by section 14) shall be approved by the Navy Crane Center. For definitions and examples of load bearing parts, load controlling parts, and operational safety devices, see appendices A and F. Alteration requests shall be fully developed by the activity. Where practicable, concurrence shall be obtained from the crane or component OEM. Requests for approval shall fully describe the proposed alteration and shall include, as appropriate, specifications, design computations, drawings, and bills of material. Alterations approved by the Navy Crane Center may be revised, for such reasons as machining details or other minor changes, with local engineering approval, by recording the change on SRO's, TWD's or other shop work documents. Alterations conditionally approved by Navy Crane Center need not be resubmitted for approval unless specifically required. Follow Navy Crane Center comments and requirements for resubmittal. Acceptance and incorporation of Navy Crane Center comments shall be documented on all shop work documents. See appendix O for additional guidance on CARs and Navy Crane Center review policy.

Note: The Navy Crane Center maintains records of all approved crane alterations. These can be made available to activities planning alterations upon request.

6.2.1 Mandatory Crane Alterations. Alterations identified as mandatory are those that shall be accomplished on all cranes specified. They are classified as follows:

- a. Mandatory-Now: Crane(s) shall be removed from service until alteration is completed.
- b. Mandatory-Delayed: The time to accomplish will be specified, e.g., within 90 days. Until that time, the crane may remain in service.
- c. Mandatory-When Needed: This type of alteration previously corrected a deficiency on a particular crane or component. The same alteration shall be made should a similar deficiency occur on an identical crane or component.
- d. Mandatory-Site Specific: Approved as a unique alteration for an activity or a particular crane. These can be due to environmental concerns or specific working conditions.

Figure 6-2 will be used by the Navy Crane Center to issue mandatory alterations. Activities shall provide notification of completion of the alteration to the Navy Crane Center upon accomplishment by using figure 6-2. E-mail or facsimile transmission is acceptable.

6.2.2 Standing Crane Alterations. Standing alterations issued by the Navy Crane Center are broad in scope, voluntary, and pertain to all WHE where applicable. Examples are fastener substitutions, wire rope substitutions, and replacement of hoists and hoist/trolley assemblies. For a current list of standing alterations, see the Navy Crane Center web site (<https://www.navfac.navy.mil/ncc>). Some standing alterations require that a local crane alteration be developed and filed in the equipment history file for future reference. Follow the instructions on the specific standing alteration.

6.2.3 Crane Modernization/Overhaul Contracts Administered by the Navy Crane Center. Additional crane alteration approval is not required when alterations are performed by contract and the Navy Crane Center is the cognizant technical authority. The Navy Crane Center approved contract specification and/or drawings serves as alteration approval.

6.3 Locally Approved Crane Alterations. Changes to WHE not involving load bearing parts, load controlling parts, or operational safety devices and not subject to further restrictions listed below, may be approved locally. Locally approved alterations shall be developed by the appropriate engineering organization, fully describing the proposed change, and shall be accompanied as necessary by specifications, design computations, drawings, and bills of material. Locally approved alterations may be in the form of shop work documents but shall have a Navy Crane Center "Crane Alteration Request" cover sheet. Locally approved alterations shall be forwarded to the Navy Crane Center for information within 14 days after approval. The Navy Crane Center will reclassify and return locally approved CARs that do not comply with the requirements of this paragraph. The returned request will identify additional documentation or action required. Alterations approved locally may be revised, for such reasons as machining details or other minor changes, with local engineering approval, by recording the change on shop work documents.

6.3.1 Alterations Based on Prior Navy Crane Center Approval. Alterations to load bearing parts, load controlling parts, and operational safety devices previously approved by the Navy Crane Center for a particular crane at an activity may be approved locally for the same alteration on identical cranes at the activity.

6.3.2 Minor Alterations Not Affecting Load Bearing, Load Controlling, or Operational Safety. Alterations to install items that are not load bearing, load controlling, or operational safety devices, but where those items are to be attached to load bearing or load controlling items, other than crane booms, may be approved locally. This includes attachment by means of welding per American Welding Society procedures or Navy equivalents or drilling of small holes for fasteners. These alterations shall not effectively reduce the strength or change the function of the load bearing or load controlling item.

#### 6.4 Additional Requirements and Exemptions

6.4.1 Changes to OEM's Rated Capacity. A change to the OEM's published or posted rated capacity constitutes an alteration as follows:

6.4.1.1 Equipment Related Changes. A change to the OEM's rated capacity due to deterioration or deficiencies of load bearing parts, load controlling parts, or safety devices is prohibited. Down rating due to discovered errors in the original design will be considered by the Navy Crane Center on a case-by-case basis.

6.4.1.2 Environmental, Administrative, and Operational Related Changes. A reduction to the OEM's rated capacity and/or speeds (hoist, rotate, and/or travel speeds) based on adverse operating conditions, such as limits in foundations or supports, track or soil conditions, or operational hazards, such as mobile cranes on barges, may be locally approved. Also, administrative down rating for operational efficiency (e.g., the crane's full lifting capacity or speeds are not required) may be locally approved. Re-rating a crane, down rated per this paragraph, up to the OEM's rated capacity may be locally approved; however, the crane shall be load tested and certified at its re-rated capacity if the current certification was based on testing at its down rated capacity. Increases to the OEM's original rated capacity (or establishment of capacity when the OEM does not exist) shall be submitted to the Navy Crane Center for approval. If reducing speeds requires a change in component settings, see paragraph 6.4.4 for appropriate direction. If the crane is microprocessor controlled, see paragraph 6.4.5. If a wiring change or drawing change is required, then a crane alteration requiring Navy Crane Center approval is required. See appendix O for additional guidance.

6.4.2 Replacement parts. The following criteria are provided to determine if the use of a replacement part constitutes an alteration. Utilizing replacement parts described in paragraphs 6.4.2.a through 6.4.2.f does not constitute an alteration. However, utilizing replacement parts described in paragraphs 6.4.2.a through 6.4.2.e shall be documented in either the equipment history file, on official drawings, or in the crane technical manual.

a. Interchangeability. Any replacement part identified by the OEM's part number to a single national stock number (NSN) in the Defense Logistics Information Service data base is approved as interchangeable with any other OEM's part number listed under the same NSN.

b. Industry Consensus Standard Equivalents. Replacement parts and hardware identified as industry consensus standard interchangeable equivalents shall be approved by the activity engineering or inspection organization. Examples are AISE brakes and mill motors, SAE grading of bolts, NEMA standard size contactors, AGMA standard geared couplings, and ABMA standard size bearings. Examples of organizations with consensus standards are National Electrical Manufacturers Association (NEMA), Association of Iron and Steel Engineers (AISE), Society of Automotive Engineers (SAE), American Bearing Manufacturers Association (ABMA), American Gear Manufacturers Association (AGMA), International Standards Organization (ISO), Industrial Fasteners Institute (IFI), and American National Standards Institute (ANSI). The activity shall ensure standard equivalent parts have the same or improved form/fit/function as the OEM parts including, but not limited to, sealing, mounting and lubrication. Bearing dynamic and static ratings may be less than OEM equipment as long as the static rating is above the minimum required for the application and is approved by the activity engineering organization.

c. Technical Bulletin. When the crane or component OEM has issued a technical or parts bulletin or other official written notification approving the use of a specific superseding part or component in lieu of the original, the activity engineering or inspection organization shall approve the use of the superseding part. This exception does not apply to major components such as hoists, winches, motors, gearboxes, electronic drives, and booms. Contact Navy Crane Center Code 03 for further guidance if necessary.

d. Approved Wire Rope End Connections. Changing to an approved end connection is not an alteration except as noted in paragraph 6.9.2. Follow requirements of paragraph 6.9.

e. Reverse Engineering. The activity may reverse-engineer the component to fabricate an identical part or component.

f. Fabrication to Original Specifications. When the activity holds the original crane or component OEM drawing, specification, and bill of material, they may fabricate the part or have the part fabricated to these standards.

g. OEM Changes Requiring Alteration Approval. OEM changes are defined as changes made by the OEM or OEM authorized agent while under contract for repair, overhaul, or remanufacture of a crane or component. OEM changes to load bearing parts, load controlling parts, or operational safety devices require Navy Crane Center alteration approval. OEM changes to other parts require local alteration approval.

6.4.3 Repairs. Restoring a crane component or assembly to its original or virtually original condition, dimension, or mechanical property by technically recognized and accepted procedures is a repair and not an alteration. Examples are:

a. Weld repairs to other than crane booms, when performed in accordance with American Welding Society procedures or Navy equivalents. Weld repairs to hooks are not permitted.

b. Electroplating for restoring surface finish and fit.

c. Refinishing of electrical contacts.

d. Substitution of Navy Crane Center approved modern materials for obsolete materials.

e. Substitution of Navy Crane Center approved bolts/nuts for rivets and bolts of equal size.

f. Minor changes that do not effectively reduce the strength or change the function of the part, such as:

(1) Machining or grinding to remove surface defects.

- (2) Machining for oversize bushings.
  - (3) Drilling or cleaning up holes in load bearing or load controlling components, other than boom chord members.
  - (4) Removal of material for leveling of foundations.
  - (5) Minor repositioning of components for alignment.
- g. Restoration of original interference or low clearance fits between cylindrical components (hubs and shafts) and key/keyseat assemblies using anaerobic compounds. These compounds are acceptable for restoring fits of torque transmitting assemblies only when the torque is transmitted by other means, such as a key.
- h. Removing short lengths of wire rope to remove defects or change crossover points provided all other requirements regarding minimum dead wraps are met.

Note: For a list of currently approved substitute materials listed on standing crane alterations, see the Navy Crane Center web site (<https://www.navfac.navy.mil/ncc> ).

6.4.4 Crane Component Setting Adjustments. Adjusting component settings within the crane OEM's prescribed ranges/tolerances does not constitute an alteration. Adjustments using the OEM's permitted replacement parts, such as stiffer brake springs, are locally approvable alterations. Establishing brake setting ranges/tolerances outside of brake and/or crane OEM limits (or where the OEM does not provide a setting range/tolerance) is a locally approvable alteration provided the activity engineering organization directs the development of the new setting range/tolerance, and the component is load tested (or given an appropriate proof test as defined by the activity engineering organization), as necessary to verify the new setting range/tolerance. The activity engineering organization shall obtain concurrence from the crane OEM where practical. See appendix O for further examples.

6.4.5 Alterations and Requirements for Microprocessor-Controlled Cranes. Changes to microprocessor controlled crane systems that incorporate user programmable software and/or firmware shall comply with the following requirements:

- a. Changing the crane OEM's settings that establish new high or low limits for programmable parameters is a crane alteration requiring Navy Crane Center approval. The specific drive OEM parameter ranges are not necessarily acceptable for the crane design and are therefore not considered the allowable crane design ranges. Changes to as-built parameters where the crane OEM does not specify an allowable crane design range are crane alterations requiring Navy Crane Center approval. Appropriate testing requirements shall be included to demonstrate proper accomplishment of the alteration.

b. Changing, adding, or deleting a line of software code is a crane alteration requiring Navy Crane Center approval if the line of code controls or provides fault detection for a crane motion or an operational safety device. Appropriate testing requirements shall be included to demonstrate proper accomplishment of the alteration.

c. Changing, adding, or deleting a line of software code is a locally approvable crane alteration if the line of code does not control or provide fault detection for a crane motion or an operational safety device. Appropriate testing requirements shall be included to demonstrate proper accomplishment of the alteration.

d. Temporarily changing, adding, or deleting a line of software code or a programmable parameter for troubleshooting or emergent conditions is not a crane alteration provided that the software code and/or parameter settings are returned to their previously load tested settings before returning the crane to service.

e. Activities shall submit a CAR for Navy Crane Center approval for all newly acquired microprocessor controlled cranes not acquired or reviewed by Navy Crane Center. The CAR shall document how the new crane complies with CSA 121A. Navy Crane Center approval is required prior to initial crane certification.

6.4.5.1 Exceptions. The following are exceptions to paragraph 6.4.5:

a. An alteration as described in paragraph 6.4.5 may be approved locally if the change is approved by the drive OEM and the crane OEM.

b. Auto-tuning of microprocessor drives may be approved locally if not done in conjunction with troubleshooting or repair of equipment as noted in paragraph 6.4.5.d. New drive parameters shall be documented.

c. Updating of firmware may be approved as a local alteration if the change is provided by the equipment OEM.

6.4.5.2 Testing. A load test for hoist drives shall be performed in accordance with section 4 after software or programmable parameter adjustments or changes affecting brake settings, torque proving, motor torque, or current limit, whether or not the changes are saved (forced variables). If the parameters are reset and identical to previously load tested parameter settings, then a load test after resetting is not required. There shall be written verification that the parameters have been reset to their previously load tested settings.

6.4.5.2.1 Load Test Exceptions. Alterations that do not require load test include:

a. Reloading of software. The correct software shall be assured.

b. Adjustment or changes to software, whether or not the changes are saved, provided the adjusted or changed software does not affect brake settings, torque proving, or current limit. The correct software shall be assured.



c. Programmable parameter changes, whether or not the changes are saved, provided the parameter changes do not affect brake settings, torque proving, motor torque, or current limit. The correct parameters shall be assured.

#### 6.4.6 Damaged Crane Booms

6.4.6.1 Main Chord, Telescoping Boom, and Articulating Boom Damage. Any category 1 or category 4 crane, or category 3 truck-mounted crane having a damaged telescoping or articulating boom or that has a lattice type boom that has sustained structural damage to the main chords, whether tubular or structural steel shape, shall be immediately removed from service. Most booms of truck, rough-terrain, all-terrain, and crawler cranes are manufactured of lightweight, thin wall, high strength low alloy tubular or other shaped structural members. When the main members of these booms are damaged in any manner, including slight dents, they are severely weakened and have failed at loads significantly below rated capacity. Except as noted below for ASTM A36 steel open-section members, weld repairs shall be performed by the OEM or OEM designated repair facility in accordance with OEM specifications. Alternatively, repairs may be performed by the activity if the OEM provides procedures and specifications. These repairs shall be handled as locally approved alterations.

If the OEM does not provide repair procedures, the repairs may be made if the requesting activity prepares a weld repair procedure with the approval of a qualified welding engineer and provides confirmation that the welding will be performed by a certified welder for that procedure. Weld repair procedures developed by the activity shall be submitted with an alteration request requiring Navy Crane Center approval.

Weld repairs of boom chord members made of open section ASTM A36 steel (and similar weldable mild steels) may be performed as locally approved alterations using locally developed welding procedures.

6.4.6.2 Boom Lacing Damage. Booms with lacing damage shall be removed from service until a structural inspection can be made to determine the extent of the damage. Upon inspection, the activity engineering organization shall make the determination whether to place the crane back in operation or require an immediate repair before the crane can be operated. Repairs to lacing members shall be in accordance with OEM's instructions. These repairs shall be handled as locally approved alterations.

When OEM instructions are not available, repair procedures shall be developed by the activity engineering organization and submitted with an alteration request for Navy Crane Center approval.

Weld repairs of lacing members made of open section ASTM A36 steel (and similar weldable mild steels) may be performed as locally approved alterations using locally developed welding procedures.

6.4.6.3 Testing and Recertification. Following repairs to a boom, the work shall be inspected and the crane tested and recertified in accordance with section 4.

#### 6.4.7 WHE, Crane Components, and Features that Pre-Date or Do Not Comply with Design Standards

- a. WHE, crane components, and features that pre-date or do not comply with the latest revision of NAVCRANECENINST 11450.2 (or the design standard in effect at the time of the WHE's manufacture) may be retained provided they continue to operate satisfactorily and there is no evidence of distress. Non-compliances that violate sound engineering principles shall be corrected within practical limits. Replacement with a part or component different from the original shall be treated in accordance with this section.
- b. If an alteration request proposes a replacement component that is clearly an improved design and/or material, it may be submitted without calculations.
- c. If a proposed replacement shaft does not provide a 1.5 design factor for infinite life, then its service life (based on a conservative duty cycle) for a 1.5 design factor shall be calculated.

6.5 Alteration Records. Full documentation of alterations with local or Navy Crane Center approval, installation, and certification actions shall be filed in the crane equipment history file. The appropriate engineering drawings shall be revised as necessary.

6.6 Capacity Ratings/Limitations and Crane Identification. Each crane shall be marked with its capacity rating(s), in pounds, visible to the operator. In foreign countries, additional capacity ratings in kilograms are acceptable. Where the crane is not certified for all OEM configurations (e.g., a mobile crane capable of, but not certified for, lifting on rubber), operational limitations and restrictions shall be posted on the crane. The capacity ratings and test loads recorded on the crane certification shall be expressed in pounds. For multiple cranes in a building, each crane shall have a unique identification marked on it, which shall be visible from the floor. For multiple trolleys on a bridge structure or track system, the bridge structure or track system shall be marked with its maximum capacity in pounds. If there are loading restrictions or limitations on a runway, monorail, or other crane structure, (e.g., bridge cranes cannot operate within 20 feet of each other when picking capacity loads) the restrictions shall be posted on the crane.

6.7 Stability Testing and Load Rating (Used and Altered Cranes). All newly acquired used truck, rough-terrain, all-terrain, crash, commercial truck mounted, articulating boom, and crawler cranes shall be initially tested for stability in those cases where the OEM's load and stability data are not available or where the acquiring activity suspects that previously performed alterations may affect stability. In addition, a crane shall be tested for stability after alterations that significantly affect the stability of the crane. The activity engineering organization shall determine if a stability test is required after a crane alteration. The stability test and rating shall be conducted as follows.

6.7.1 Margin of Stability. The margin of stability for determination of load ratings, with booms of stipulated lengths at stipulated working radii for the various types of crane mountings, is established by taking a percentage of the load that will produce a

condition of balance with the boom in the least stable direction relative to the mounting. Crane load ratings shall not exceed the percentages in table 6-1 under the conditions stipulated in paragraphs 6.7.2 and 6.7.3.

6.7.2 Truck, Rough-Terrain, All-Terrain, and Crawler Cranes. Determination of balance point loads shall be in accordance with SAE J765.

Note: See "LIMITATIONS" in SAE J765 prior to performing the stability test.

Table 6-1  
Load Ratings for Various Types of Mountings  
(Used and Altered Cranes)

Type of Crane Mounting	Maximum Load Ratings (Percent of Balance Point Load)
Crawler without outriggers	75
Crawler using outriggers fully extended	85
Truck and wheel-mounted without outriggers/stabilizers	75
Truck and wheel-mounted using outriggers/stabilizers fully extended	85
Truck and wheel-mounted with outriggers/stabilizers, outriggers/stabilizers not extended	
Over the front or rear <sup>(1)</sup>	75
Over the side <sup>(2)</sup>	50

<sup>(1)</sup>On those cranes where the OEM specifies a free rated over the front or rear capacity.

<sup>(2)</sup>On those cranes where the OEM specifies a free rated over the side capacity.

6.7.3 Balance Point Loads. Balance point loads from which ratings are determined shall be established under static conditions only, i.e., without dynamic effect of hoisting, lowering, or swinging. The OEM's criteria for determination of the "balance point" shall be used. When OEM criteria are not available, the balance point for cranes with outriggers/stabilizers extended shall be the point where the outrigger/stabilizer arm floats within the ground pad connection or, with a permanently attached ground pad, when the pad lifts off the ground surface; or in the case of horizontal extending outrigger beams, when the fixed outrigger housing lifts off the top surface of the extendable outrigger beam.

6.7.4 Rated Capacity. For mobile cranes, the rated capacity includes the weight of (or deduction values for) the hook, block, slings, and ancillary lifting devices (and for some cranes hoist wire rope not accounted for in load charts). Follow OEM load chart instructions for weight deduction values.

6.7.5 Other Stability Factors. The effectiveness of these stability factors will be influenced by such additional factors as freely suspended loads, track, wind or ground conditions, condition and inflation of rubber tires, boom lengths, proper operating

speeds for existing conditions, and, in general, careful and competent operation. The user shall take all of these into account. Backward stability shall be in accordance with ASME B30.5.

6.8 Over the Side Lifting Limitation (For mobile cranes equipped with outriggers/stabilizers). For cranes where the OEM permits lifts over the side without the use of outriggers/stabilizers (i.e., on tires), the certifying official shall approve the capacity. Capacity shall not exceed 60 percent of the OEM's load chart values or, if a stability test is performed in accordance with SAE J765, 50 percent of the balance point loads.

6.9 Wire Rope End Connections. End connections on wire rope shall be limited to the following and subject to the further limitations prescribed herein.

6.9.1 Poured Socket End Connections. Poured spelter (i.e., molten zinc) and resin end connections using forged and cast steel sockets are approved for all cranes. Poured socket end connections shall be fabricated in accordance with Naval Ships' Technical Manual (NSTM) S9086-UU-STM-010. Resin socketing material approved by NSTM S9086-UU-STM-010 Chapter 613 is approved for WHE usage; other resins shall be approved by Navy Crane Center. End connections shall be fabricated in accordance with the resin OEM's instructions. Resin sockets shall not be used at operating temperatures that exceed OEM's recommendations. The installed socket connection shall be inspected and load tested. The proof test for the installed socket shall be in accordance with paragraph 6.9.6 (an additional 200 percent of wire rope capacity off-crane pull test is permitted).

6.9.2 Swaged Connections. Swaged end connections are approved for use as wire rope terminal end connections on non-rotation-resistant wire rope. Swaged connections on rotation-resistant wire rope shall meet the requirements of EN 13411 Part 8. For rotation-resistant wire rope, swage sockets shall be approved by crane alteration in accordance with this section, or by standing crane alteration. Swaged end connections shall be steel, except that aluminum ferrules may be used for loop back (also called turnback or return loop) eye swaged connections provided the material and processes are in accordance with EN 13411 Part 3. Swaged connections shall be fabricated on a swage press designed for such purposes, using procedures and parts approved by the swage press OEM. This includes destructive testing of sample rope assemblies if recommended by the swage and/or wire rope OEM. The installed swaged connections shall be inspected and load tested. The proof test for the installed end connection shall be in accordance with paragraph 6.9.6 (an additional 200 percent of wire rope capacity off-crane pull test is permitted).

6.9.3 Wire Rope Inspection for New or Re-Used End Connections on Used Wire Rope. Before installing a new or re-used end connection on existing (used) wire rope, a length of wire rope equal to 60 rope diameters from the end where the connection is being installed shall pass an annual or type "B" maintenance inspection, as applicable. Additionally, the wire rope diameter shall be no less than the nominal wire rope diameter in this area.

6.9.4 Wedge Sockets. Wedge socket end connections may be used on mobile cranes. Wedge socket end connections shall not be used on non-mobile cranes (portal, gantry, bridge, hammerhead, floating cranes, etc.). See exception, paragraph 6.9.5.

6.9.4.1 Special Precautions Pertaining To The Use of Wedge Socket Connections

a. Wedge sockets develop only 70 to 80 percent of the breaking strength of the wire rope due to the crushing action of the wedge. Extreme caution shall be exercised when cranes with wedge socket connections are used in making rated capacity lifts.

b. Wedge sockets are particularly subject to wear, faulty component fit, and damage from frequent change outs. They are also highly vulnerable to inadvertent wedge release and disassembly in two-blocking situations. When wedge sockets are used, care shall be taken to avoid accidental slackening of the wire rope releasing the wedge inside the socket.

c. Single saddle wire rope clips that clamp both the dead end and live rope shall not be used in conjunction with a wedge socket. Such connectors are hazardous in that they restrain the wedge from seating properly in the socket and may damage the rope. Double saddle clips specifically designed for wedge sockets and wedge socket proprietary clip designs may be used.

d. Wedge sockets shall be installed in accordance with the socket OEM's procedures, ASME B30.26, and the following practices:

(1) Follow wire rope and socket OEM's requirements for seizing the rope prior to cutting and for securing the cut end prior to inserting in the socket. This is particularly important for rotation resistant wire rope to prevent core slippage or loss of rope lay.

(2) Caution shall be exercised in installing the wedge socket properly to ensure that the wire rope carrying the load is in direct alignment with the eye of the socket clevis pin so the load pull is direct.

(3) The minimum tail length extending from the wedge socket shall be in accordance with the socket OEM's guidelines. Wedges shall not be interchanged between different OEM's sockets, models, or sizes.

(4) Carefully take a strain on the live side of the rope to ensure proper initial seating of wedge. Increase load gradually until wedge is fully seated, continue increasing load until applied load is 95-100 percent of capacity (this is a complex lift). This requirement may be omitted for specially designed sockets that utilize a fastener to seat the wedge in accordance with the socket OEM's instructions. Avoid applying any sudden shock loads.

(5) Secure the dead end as directed by the socket OEM. Consult the socket OEM and activity engineering organization before using wedge sockets on plastic coated or plastic impregnated wire rope.

6.9.5 Other End Connections and Exceptions. The OEM's design configuration for dead end connection devices at the hoist drums are acceptable as originally installed and for replacement. The OEM's design configuration for dead end connections on the hoist block and frame of category 3 cranes (air, electric, hydraulic), mobile boat hoists, and section 14 portable hoists, are acceptable as originally installed and for replacement, except that swaged connections for rotation-resistant wire rope shall comply with paragraph 6.9.2.

6.9.6 Proof Load Requirements for New End Connections. Swaged, poured, and loopback/turnback swaged eye end connections on new wire rope shall be proof loaded to 200 percent of the wire rope's capacity (maximum allowable load). This shall be performed on a pull test machine, not using the crane's hoist. The proof test may be performed by the activity or the wire rope/end connection supplier. Alternatively, field installations (and end connection installations on used wire rope) may be proof loaded using the crane at the prescribed test load.

6.10 Capacity Overload Protection. Category 1 and 4 mobile cranes shall have their adjustable independent load alarm and/or shutdown devices set using SAE J-159 as a guide (shutdown set at not more than 105 percent of rated capacity see paragraph 4.5.5). For all other cranes, adjustable independent load alarm and/or shutdown devices shall be set at not more than 125 percent of the crane's capacity (105 percent for mobile boat hoists and rubber-tired gantry cranes). Typically when cranes are equipped with both alarm and shutdown devices (or settings on the same device), the alarm is set nominally 10 percent below the setting for shutdown. Non-adjustable devices shall shut down the crane as specified by the device and/or crane OEM. The percentage of crane capacity that the device is set at shall be documented in the equipment history file. The devices shall alarm and/or shutdown the crane within the device OEM's tolerance for shutdown or the settings provided in appendices C or D, as applicable.

When a microprocessor drive is used for load alarm and shutdown features, and the drive has torque limiting functionality that is separate from the capacity overload protective device, the torque limiting functionality shall be turned on and set greater than the test load. This will prevent gross overloads if/when the capacity overload protective device is being bypassed during load testing. This torque limiting value should initially be set at approximately 150 percent of the motor torque (amperage) necessary to hoist 100 percent load. It should be adjusted upward only to avoid nuisance trips and adjusted downward if possible while still avoiding nuisance trips.

For cranes that are administratively down rated, adjustable load shutdown devices shall be appropriately reset. Non-adjustable devices do not require testing if testing will exceed 125 percent of the down rated capacity (105 percent for mobile cranes, mobile boat hoists, and rubber tired gantry cranes).

Cranes equipped with overload warning and shutdown devices or features shall not be tested in excess of the load test percentages specified in section 4.

6.11 Boom Length Indicator (Telescoping Boom Cranes). If a crane does not have a boom length indicator in the cab, mark the boom to indicate lengths associated with the OEM's load chart.

6.12 Crane Clearances. If the track area of a ground level rail mounted crane is used for employee passage or for work, a minimum clearance of three feet shall be provided between trucks or the structures of the crane and any other structure or obstruction. When the required clearance is not available on at least one side of the crane's trucks, the area shall not be used for employee passage and shall be marked and identified. Where passageways or walkways are provided on the structure supporting the crane, obstructions shall not be placed so that personnel will be jeopardized by movements of the crane.

<b>CRANE ALTERATION REQUEST</b>			PAGE 1 OF	
ACTIVITY		ACTIVITY WORK ORDER NUMBER		
CRANE ALTERATION TITLE		CRANE ALTERATION REQUEST NUMBER		
		NAVY CRANE CENTER INFORMATION ( )		
		NAVY CRANE CENTER APPROVAL ( )		
<b>CRANE DESCRIPTION</b>				
CAPACITY/TYPE	NUMBER	MANUFACTURER	SPS CRANE YES ___ NO ___ ORDNANCE CRANE YES ___ NO ___	
<b>CRANE ALTERATION DESCRIPTION</b>				
ASSEMBLY	SUB-ASSEMBLY	COMPONENT	PART	
REFERENCES (DRAWINGS, WEIGHT HANDLING DEFICIENCY REPORTS, ETC)				
ENGINEERING DISCIPLINE (Check all that apply): ELECTRICAL ___ MECHANICAL ___ STRUCTURAL ___				
NARRATIVE				
<b>ACTIVITY APPROVAL / REQUEST</b>				
PREPARER	DATE	PHONE	FAX or EMAIL	
REVIEWER	DATE	PHONE	FAX or EMAIL	
CHIEF CRANE ENGINEER	DATE	PHONE	FAX or EMAIL	
CONTRACTING OFFICER'S REP. (IF PREPARED AND APPROVED BY CONTRACTOR)	DATE	PHONE	FAX or EMAIL	
DATE NAVY CRANE CENTER APPROVAL NEEDED	NAVY-WIDE APPLICATION YES ( ) NO ( )			
<b>NAVY CRANE CENTER APPROVAL</b>				
REVIEWER	DATE	PHONE DSN	FAX or EMAIL	
DIRECTOR, IN-SERVICE ENGINEERING	DATE	PHONE DSN	FAX or EMAIL	
APPROVED ( )	CONDITIONALLY APPROVED ( )	DISAPPROVED ( )		
COMMENTS ON ATTACHED CONTINUATION PAGE(S) YES ( ) NO ( )				

Figure 6-1 (1 of 3)



<i>CRANE ALTERATION REQUEST</i>	CRANE ALT REQUEST NUMBER	PAGE	OF
NARRATIVE (CONTINUED)			
Empty space for narrative content			

NAVY CRANE CENTER FORM 92-001D (REV 6-16)

Figure 6-1 (2 of 3)

## CRANE ALTERATION REQUEST FORM INSTRUCTIONS

This form is designed for fax transmission without a cover page or by e-mail and, with enclosures and signatures, shall be the official document. Electronic submission will be accepted without signatures but the names of the preparer, reviewer, and chief engineer shall be filled in. The submitting activity will be responsible for instituting the administrative controls over this process. The e-mail address is m\_nfsh\_ncc\_cranealt@navy.mil. The fax number is (757) 396-1772.

1. CRANE ALTERATION REQUEST Block - Enter total number of pages.
2. ACTIVITY Block - A uniform name and address for activity shall be used. Reference: Plain Language Address Directory (USN PLAD 1) used for messages. Example: NAVSHIPYD PORTSMOUTH NH.
3. ACTIVITY WORK ORDER NUMBER Block - Work authorization document number. For alterations to cranes of the same class, only the current pending work authorization number(s) is required.
4. CRANE ALTERATION TITLE Block - A uniform system for titles shall be used. An example is: REPLACEMENT OF MAIN HOIST ELECTRIC BRAKE LININGS. First Word/Phrase - Use "REPLACEMENT," "ADDITION," "REMOVAL," "REARRANGEMENT," "ALTERATION," "DOCUMENTATION (AS-BUILT VARIANCE)," or "REPAIR OF CRANE BOOM." Second Word - Use "OF" or "TO." Third Word/Phrase - Affected assembly, sub-assembly, component, or part. Fourth Word/Phrase - Affected component or part.
5. CRANE ALTERATION REQUEST NUMBER Block - All alteration requests, whether for Navy Crane Center or local approval, shall be numbered in sequence. In the example N00102-96-001, N00102 is the activity six digit alpha-numeric Unit Identification Code (UIC), 96 indicates fiscal year 1996, and 001 means the first alteration request of FY96 for this activity. Navy Crane Center issued crane alterations will use the UIC of N3258A.
  - a. Indicate if ALT is for Navy Crane Center information or approval.
6. CRANE DESCRIPTION Block - CAPACITY/TYPE, NUMBER, MFR, Self-explanatory; SPS Crane, (SPS as defined by NAVSEA 0989-030-7000). Ordnance Crane- a crane used to lift ammunition and explosives governed by NAVSEA OP-5.
7. CRANE ALTERATION DESCRIPTION Block - An example, consistent with the example title above, is: ASSEMBLY - Main Hoist, SUB-ASSEMBLY - NA, COMPONENT - Electric Brake, PART - Linings.
  - a. REFERENCE DRAWINGS – Drawings affected by the alteration, which will be updated.
  - b. ENGINEERING DISCIPLINE – Check all that apply.
  - c. NARRATIVE - Contains fully developed alteration request and any references or enclosures.
8. ACTIVITY APPROVAL/REQUEST Block - For locally approved alterations, line out "REQUEST." For Navy Crane Center approval, line out "APPROVAL."
  - a. PREPARER, DATE, PHONE, FAX or EMAIL- Self-explanatory.
  - b. REVIEWER, DATE, PHONE, FAX or EMAIL- Self-explanatory.
  - c. CHIEF CRANE ENGINEER, DATE, PHONE, FAX or EMAIL- Self-explanatory.
  - d. CONTRACTING OFFICER'S REPRESENTATIVE, DATE, PHONE, FAX, or EMAIL- If the request was prepared and approved by a contractor, indicated concurrence by the contracting officer's representative.
  - e. DATE Navy Crane Center APPROVAL NEEDED - Self-explanatory.
  - f. NAVY-WIDE APPLICATION - Indicate if this alteration may have applicability to cranes at other activities.

NOTE: At least two different signatures are required in blocks 8.a, 8.b, or 8.c.

9. NAVY CRANE CENTER APPROVAL Block
  - a. REVIEWER, DATE, PHONE, FAX - Self-explanatory.
  - b. DIRECTOR, IN-SERVICE ENGINEERING, DATE, PHONE, FAX - Self-explanatory.
  - c. APPROVED - Self-explanatory.
  - d. CONDITIONALLY APPROVED - "Approved subject to incorporation of comments:".
  - e. DISAPPROVED - "Disapproved for the following reasons:".
  - f. COMMENTS ON ATTACHED CONTINUATION PAGE(S) - Self-explanatory.

10. Continuation page - Follow instruction #5 and number the page.

<b>MANDATORY ALTERATION N3258A-</b>			
The alteration identified below, and attached, has been classified as:			
_____ Mandatory – Now: Cranes shall be removed from service until alteration is complete.			
_____ Mandatory – Delayed: Alteration shall be accomplished before or during the next ( ) Type A ( ) Type B ( ) Type C inspection per NAVFAC P-307 or within _____ days.			
_____ Mandatory – When Needed: Alteration will correct a deficiency when the deficiency occurs.			
_____ Mandatory – Site Specific: Approved as a unique alteration for an activity or particular crane.			
<b>ALTERATION IDENTIFICATION</b>			
ACTIVITY		ORIGINAL ALTERATION NUMBER	
ALTERATION TITLE		ALTERATION ORIGINALLY LOCALLY APPROVED ( ) SUBMITTED FOR NAVY CRANE CENTER APPROVAL ( )	
<b>CRANE DESCRIPTION</b>			
CAPACITY / TYPE	MANUFACTURER	SPS CRANE YES _____ NO _____	
<b>ALTERATION DESCRIPTION</b>			
ASSEMBLY	SUB-ASSEMBLY	COMPONENT	PART
NARRATIVE			
COMNAVSEASYS COM CONCURRENCE: Received _____ N/A _____			
<b>NAVY CRANE CENTER APPROVAL</b>			
CONFIGURATION MANAGER	DATE	PHONE	FAX
		DSN	
DIRECTOR IN-SERVICE ENGINEERING	DATE	PHONE	FAX
		DSN	
<b>NOTIFICATION OF COMPLETION</b>			
WHEN THE ALTERATION IS COMPLETED, A COPY OF THIS FORM (or e-mail confirmation) SHALL BE RETURNED TO THE NAVY CRANE CENTER WITH THE FOLLOWING INFORMATION: CRANE IDENTIFICATION _____ COMPLETION DATE _____			
DISTRIBUTION			

Figure 6-2

(INTENTIONALLY LEFT BLANK)

## SECTION 7 TRAINING AND QUALIFICATION

7.1 Introduction. This section provides training and qualification requirements for military, civilian, and contractor personnel involved in the operation, maintenance, inspection, testing, and certification of Navy WHE. Ordnance handlers shall refer to NAVSEA OP-5 for training requirements, in lieu of the rigger and rigging gear inspection courses noted herein.

7.2 Training. Table 7-1 identifies courses for applicable Navy WHE job functions. These courses provide basic, fundamental trade related information for the operation, rigging, maintenance, inspection, testing, and certification of WHE at Navy shore activities, as well as oversight of contractor WHE operations. These courses do not provide hands-on training nor qualify personnel to perform a specific function or task. By design, these courses reinforce and enhance existing knowledge for journeymen level personnel and provide a base upon which to develop less-experienced personnel through on-the-job training and mentoring. It is, therefore, incumbent on the activity to provide additional training and evaluation to further develop and assess the proficiency of less-experienced personnel to safely and competently perform weight handling tasks and functions. Additional requirements for crane operators are addressed in section 8.

All courses are available via the internet at Navy eLearning (NeL) at <https://www.aas.prod.nel.training.navy.mil/>. Instructor-led training is an acceptable alternative to web-based training and shall be provided by Navy Crane Center authorized instructors using Navy Crane Center authorized materials. The Navy Crane Center web site has additional information on training (<https://www.navfac.navy.mil/ncc>).

Additional training (e.g., hands-on) to enhance specific skills is encouraged. Such training may be available from naval shipyards, other naval activities, and commercial training sources. Supplemental courses may be required to qualify personnel to perform unique critical job skills at an activity. Activities are responsible to ensure such supplemental training requirements are met.

7.2.1 Qualification. An examination is required to pass each required course listed in table 7-1. The web-based training courses meet this requirement. If NeL is not utilized to give examinations, the examination shall be given in written form. The minimum passing score shall be 80 percent. These courses are prerequisite for the qualification of personnel to perform job functions listed in table 7-1. Final determination of proficiency to perform assigned weight handling duties is the responsibility of the activity. As a minimum, the requirements of this publication shall be satisfactorily completed. Any additional competency requirements established by the activity or other organization shall be satisfactorily accomplished prior to validating qualification. Personnel shall not perform weight handling maintenance, inspection, testing, operation, or rigging until a knowledgeable supervisor, manager, or designated activity representative validates satisfactory completion of all required training and qualification elements (or proper certification for contractors as applicable). Appendix N provides minimum competency requirements.

7.2.2 Exceptions. New BOS contractor personnel, will have 90 days from their start date to obtain the table 7-1 required maintenance training. During this time period, untrained personnel may only perform maintenance on Navy WHE provided personnel trained and qualified in accordance with this publication write procedures covering their work and inspect and accept their work after the individual completes the job.

Non-BOS contract personnel who do not have the table 7-1 required maintenance training may perform maintenance on Navy WHE provided that personnel trained and qualified in accordance with this publication write the statement of work for the contractor and inspect and accept the work after the contractor completes the job.

OEM technicians and personnel trained to work on specific components (e.g., diesel engine repair, hydraulic component repair, tire repair/replacement, or motor repair) are exempt. Additionally, factory trained and authorized technicians (e.g., trained, authorized, and employed by the manufacturer or a manufacturer-authorized distributor) are exempt from these requirements for crane maintenance. They are further exempt from the operational requirements to prove the repair while the crane is located at a factory authorized repair facility and not a Navy activity.

Naval shipyard personnel shall follow the requirements of the NAVSEA 04 Crane Quality Manual in lieu of this section. Non-shipyard personnel who have completed naval shipyard lifting and handling training courses applicable to their job function(s) are not required to take the corresponding courses listed in table 7-1. Documentation of course completion shall be maintained.

There are no additional exceptions for inspectors, load test directors, crane operators, or riggers for any category of crane.

7.2.3 Training for Operator License Candidates. Crane operator license candidates shall take the applicable crane safety training course as shown in Table 7-1 prior to operating a crane. Candidates for operation of mobile boat hoists and rubber-tired gantry cranes shall take the Category 2 and Cab-Operated Category 3 Crane Safety course. See section 8 for additional crane operator training and licensing requirements.

7.2.4 Crane Operators Licensed Prior to 2001. Operators who successfully completed crane safety course(s) as part of their license requirement are not required to take the crane safety course(s) listed in table 7-1, but shall take the crane operator safety refresher courses for license renewal.

7.2.5 Refresher Training. Licensed category 1, 2, 3 (cab-operated), and 4 crane operators shall take the applicable crane safety refresher training course every two years after their initial crane safety training. Category 3 (non-cab-operated) crane operators shall re-take the Category 3 Crane Safety course every three years.

It is recommended that load test directors and certifying officials retake their respective table 7-1 courses every three to five years, or when course revisions are issued.

7.2.6 Training for Users of Portable Manual and Powered Hoists and Portable Floor Cranes. Users of portable manual and powered hoists on crane structures, portable gantry/A-frames, portable floor cranes, and cranes integral to larger machine systems shall take the Rigger course or the Category 3 Crane Safety course. Users of portable manual and powered hoists attached to other structures or equipment (for vertical lifting) shall take the Rigger course.

7.2.7 Training for Mechanics, Electricians, Inspectors, and Load Test Directors of Section 14 Cranes, Powered Hoists, and Crane Structures. Mechanics, electricians, inspectors, and load test directors of section 14 cranes, powered hoists, and crane structures shall take the applicable courses for mechanics, electricians, inspectors, or load test directors, before performing work, inspections, or tests.

7.2.8 Training for Users of Rigging Gear and Miscellaneous Equipment Used with Multi-Purpose Machines, MHE (Forklifts), and NAVFAC P-300 Equipment. Users of rigging gear or other miscellaneous equipment covered by section 14 attached to: multi-purpose machines, equipment covered by NAVFAC P-300 equipped with a winch or crane attachment, or MHE with crane attachments shall take the Rigger course. Users of rigging gear or other miscellaneous equipment covered by section 14 attached to other MHE and equipment covered by NAVFAC P-300, shall take the Rigger or Category 3 Crane Safety course.

7.2.9 Operation/Rigging in a Training Environment. Activity personnel who operate shore based cranes solely for training purposes to simulate operation of cranes used on ships or aircraft governed by other instructions (e.g., NAVSEA, NAVAIR, etc.) may follow the training requirement of the other instruction.

7.3 Supervisors. It is recommended that supervisors take the table 7-1 courses in their areas of cognizance.

7.4 Record Keeping. Record keeping for each student shall be the responsibility of the employing activity. Computer generated files are acceptable, provided they identify individual students, training dates, and examination results.

Table 7-1 Training Courses for WHE Job Functions

Course Title Frequency	General Crane Safety	General Crane Safety Refresher	Category 2 and Cab-Operated Category 3 Crane Safety	Category 2 Crane Safety Refresher	Category 3 (non-cab-operated) Crane Safety	Category 4 Crane Safety	Rigging Practices	Rigging Gear Inspection
Job Function	Initial	Every Two Years (after initial)	Initial	Every Two Years (after initial)	Initial then repeated Every Three Years	Initial	Once	Once
Category 1 Crane Operator: Note 01	X	X						
Mobile Boat Hoist or Rubber-Tired Gantry Crane Operator Note 01			X Note 03	X Note 07				
Category 2 Crane Operator: Note 02			X Note 03	X Note 07				
Category 3 Cab-Operated Crane Operator			X Note 03	X Note 07				
Category 3 Non-cab Crane Operator: Notes 04 & 05					X Note 06			
Category 4 Crane Operator: Note 01		X				X Note 03		
Rigger: Note 04							X	
Rigging Gear Inspector: Note 04								X Note 08

Notes

- 01 Category 1 and category 4 crane operators shall also satisfy the requirements in this section, section 8, and appendices J and L, as applicable. Mobile boat hoists and rubber-tired gantry cranes are category 1 cranes although *Category 2 and Cab-Operated Category 3 Crane Safety* is the designated training course for these cranes.
- 02 Category 2 and cab-operated category 3 crane operators shall also satisfy the requirements of this section, section 8, and appendix K.
- 03 Satisfactory completion of *General Crane Safety* or *Category 4 Crane Safety* satisfies the requirements of this course.
- 04 Personnel shall also satisfy applicable appendix N requirements.
- 05 Personnel who meet Category 3 non-cab operated qualification requirements may perform rigging on category 3 cranes. All other rigging requires satisfactory completion of *Rigging Practices*.
- 06 Satisfactory completion of *General Crane Safety* or *Category 2 and Cab-Operated Category 3 Crane Safety* or *Category 4 Crane Safety* satisfies the initial training requirements of this course.
- 07 Satisfactory completion of *General Crane Safety Refresher* or *Category 2 Crane Safety Refresher* satisfies the retraining requirement for this course.
- 08 Satisfactory completion of *Rigging Practices* satisfies the requirements of this course.



Table 7-1 Training Courses for WHE Job Functions

Course Title Frequency	Crane Mechanic	Mobile Crane Mechanic	Mechanical Crane Inspector	Crane Electrician	Electrical Crane Inspector	Load Test Director	Certifying Official	Contractor Crane Awareness
Job Function	Once	Once	Once	Once	Once	Once	Once	Once
Crane Mechanic: Note 04	X							
Mobile Crane Mechanic: Note 04	X	X Note 09						
Mechanical Crane Inspector: Notes 04 & 11	X	X Note 09	X Note 10					
Crane Electrician: Note 04				X				
Electrical Crane Inspector: Notes 04 & 11				X	X Note 12			
General Inspector: Notes 04, 11 & 13	X	X Note 09	X Note 10	X	X Note 12			
Load Test Director: Notes 04 & 14						X		
Certifying Official: Note 04							X	
Contracting Officer Representatives who perform oversight of contractor WHE operations								X

Notes

- 09 Satisfactory completion of *Crane Mechanic* is prerequisite to taking this course.
- 10 Satisfactory completion of *Mobile Crane Mechanic* is prerequisite to taking *Mechanical Crane Inspector* for personnel who will be inspecting mobile cranes.
- 11 Personnel who perform maintenance and/or condition inspections are required to satisfactorily complete *Mechanical Crane Inspector* or *Electrical Crane Inspector*, as applicable.
- 12 Satisfactory completion of *Crane Electrician* is prerequisite to taking this course.
- 13 Crane inspectors who inspect both mechanical and electrical components (i.e., General Inspector) must satisfy these requirements.
- 14 Satisfactory completion of the applicable crane safety course [for the type of crane to be tested by the candidate] is prerequisite to taking *Load Test Director*.

(INTENTIONALLY LEFT BLANK)

## SECTION 8 OPERATOR LICENSING

8.1 Applicability. All personnel, except contractor personnel, who are assigned duties involving the operation of Navy shore based category 1, category 2, cab-operated category 3, or category 4 cranes shall be qualified and licensed in accordance with these provisions. Operators licensed in accordance with these provisions may operate cranes at any naval activity provided that all of the requirements of section 8.2 are followed. These provisions apply to cranes operated on Navy installations. If the cranes are operated on other than Navy-owned property and when cranes transit on public roads, additional state or host nation licensing requirements may apply.

8.1.1 Contractor Personnel. Contractor personnel who operate Navy-owned cranes shall be certified by the contractor, at the contractor's expense, as fully qualified. Operator qualifications shall be, as a minimum, equivalent to the requirements of this publication. To achieve licensing equivalency, all actions identified in this section shall be performed with a few minor exceptions. The initial application for license process is not required and the contractor may use company unique forms for the records identified in this section. However, all information required by this section shall be included on the company forms. Also, the arrangement and control of contractor test facilities on non-government property is the responsibility of the contractor. The contractor shall provide documentation of operator qualifications to the contracting officer prior to an operator engaging in any mode of crane operation. Documentation shall be retained by the contracting officer in the contract files.

8.1.2 Additional Contractor Certification Requirements. In addition to the certification required by paragraph 8.1.1, contractor personnel (including BOS contractor personnel) who operate Navy mobile cranes, tower cranes, commercial truck mounted cranes (boom trucks), and articulating boom cranes shall be certified (or qualified) in accordance with 29 CFR 1926.1427(b) or (c). For Navy activities in a foreign country follow host nation requirements as applicable in lieu of CFR. This certification is not required if the contractors only operate the cranes for maintenance purposes and do not perform any production lifts.

8.1.3 Non-Cab-Operated Category 3 Crane Operators. Licensing is not required for operators of non-cab operated category 3 cranes. However, operators of non-cab-operated category 3 cranes shall be trained in accordance with section 7 and demonstrate, to a knowledgeable supervisor, manager, or designated activity representative, adequate knowledge, skill, and ability for the safe operation of each specific type of crane they are authorized to operate. See section 7 and appendix N for minimum personnel training and competency requirements.

### 8.2 Use and Limitations of Licenses

8.2.1 Significance. A crane operator license is official evidence that the person named therein is qualified to operate the types of cranes specified on the license.

8.2.2 Authorized Operation. Possession of a license does not of itself constitute authorization to operate cranes. Such authorization shall be specifically obtained from

the supervisor charged with responsibility for crane operations. Operators shall be trained on the operation of each type of crane they are assigned to operate.

8.2.3 Possession of Licenses. Operators shall have such licenses, as well as government issued photo identification (e.g., common access card, driver's license), on their person when operating cranes.

8.2.4 Crane Familiarity Checkouts. The Navy's crane inventory consists of a wide variety of crane types, makes, and models with variations in control mechanisms and operational characteristics. For this reason, it is not feasible to devise and administer examinations and issue licenses to cover each crane variation. The objective of the licensing program is to ensure that operators are qualified to operate cranes having the same essential basic functional characteristics. Possession of a license means that the person holding such license is qualified to operate any crane with the characteristics of the types and capacities authorized on the license, provided the operator has been checked out by the crane operations supervisor or work leader (classified as WL) on the specific unit to be operated.

8.2.5 No-Load Licenses for Operation by Maintenance, Inspection, and Engineering Personnel. Crane maintenance, inspection, and engineering personnel who operate cranes incidental to maintenance or troubleshooting shall be trained, tested, and licensed in accordance with these requirements with the following exceptions:

- a. The licensing performance test may be modified to suit appropriate conditions that the maintenance, inspection, and engineering personnel may experience.
- b. Lifting of loads is not permitted.
- c. The license shall indicate "NO LIFTING OF LOADS ALLOWED."

8.3 Designation of License Program Personnel. The commanding officer shall designate in writing the official and organization responsible for the management and administration of the program for instructing, testing, and licensing of operators. The official responsible for the license program shall designate in writing license issuing officials, instructors, and performance examiners. The instructors and examiners shall be qualified to effectively instruct, examine, and test license applicants. This includes the capability to develop and conduct formal courses of classroom instruction on the various aspects of crane operation and safety. The performance examiner shall be selected from the best-qualified crane operators. Navy civilian and military performance examiners shall hold a license for the specific type of crane for which they are conducting operator testing. Examiners shall be completely familiar with all aspects of the crane's safe and effective operation.

#### 8.4 Personal and Physical Qualifications

8.4.1 Physical Faculties and Fitness. A satisfactory physical examination by a licensed health care professional is required prior to operating cranes that require a license to operate. The examination shall be in accordance with the criteria established in U.S.

Department of Transportation, Federal Highway Administration, Motor Carrier Safety Regulation, 49 CFR 391, Sections 41-43. (Where the term “motor vehicle” is referenced in 49 CFR 391, it shall mean “crane.”) For Navy personnel this may be accomplished by satisfactory completion of the 704 stressor (Weight Handling Equipment, Management of), or 706 stressor (Motor Vehicle Operator – DOT) as described in NMCPHC-TM OM 6260. Navy medical personnel are not required to be listed on the National Registry of Certified Medical Examiners. Conformance to or deviation from these requirements shall be noted by the examining health care professional and forwarded to the crane operator licensing office for inclusion in the applicant's file. For documentation purposes it is acceptable to use the last day of the month as the crane physical examination expiration date. For Navy activities in foreign countries, follow host nation requirements that are equivalent to the CFR sections or 704/706 stressor. This examination is not required for non-cab category 3 crane operators.

8.4.1.1 Deviations from Physical Qualification Requirements. For a currently licensed operator, deviations from the physical requirements are not necessarily disqualifying. However, where such deviations exist, competent medical and management authorities shall give special consideration to each individual case and may recommend waivers. Waivers shall be approved by the activity commanding officer. Normally, waivers shall not be granted for applicants who have never been licensed. Any limitations imposed by reason of physical defects shall be noted on the operator's license and license record.

8.4.1.2 Other Qualification. Commanding officers may require the applicant to meet additional personal and physical qualifications for operating specific cranes. Specialized tests, such as speed of reaction time, may be administered by the license examiner. Persons administering tests shall be qualified in the administration of the tests and shall follow the test equipment OEM's operating procedures and recommendations.

8.4.1.3 Grounds for Disqualification. Notwithstanding the required physical examination, evidence of conditions that would render applicants a hazard to themselves and others, or that in the opinion of the supervisor, license issuing official, instructor, or performance examiner would interfere with an applicant's safe or efficient performance of duties, is sufficient cause to disqualify an applicant. Justification for disqualification of the applicant may be derived by the examiner from interviews, reference to the applicant's medical and personnel records, analysis of accident reports involving the applicant, or the results of specialized tests.

8.5 Language Ability. Applicants shall be able to write and speak English or the prevailing language and shall be able to read and understand signs and orders applicable to the operation of the crane.

8.6 Test Reports. The format of the physical examination and the medical examiner's certificate may be determined by the medical office making the examination, with due consideration for the provisions of paragraph 8.4.1. Medical and specialized test results may be presented in narrative form or graphically, as devised locally.

8.7 Required Safety Instruction, Written Examinations, and Performance Tests. The following paragraphs describe the minimum requirements for obtaining a license. Prior to taking any performance test, the license candidate shall be thoroughly trained on the operation of the type of crane for which a license is to be issued. The candidate shall operate that type of crane only under the direct observation of a licensed operator. The licensed operator shall retain full responsibility for the safe operation of the crane. The supervisor shall approve lifting of loads based upon the candidate's demonstration of knowledge, skill, and ability with the crane and safe operation without loads. The candidate shall not perform complex lifts.

8.7.1 Crane Safety Course. Applicants for initial license shall complete the applicable crane safety course required by section 7. Applicants for license renewal shall complete the applicable safety refresher course required by section 7. Courses are available via the internet at Navy eLearning (NeL), <https://www.aas.prod.nel.training.navy.mil/>. For instructor-led courses a written examination shall be given.

8.7.2 Specific Crane Written Examinations. Applicants shall pass a written examination for each type and category of crane for which a license is to be issued. Examinations shall be locally developed and shall contain questions about the particular operating characteristics and features of the activity's cranes and its unique mission requirements. Activities that utilize mobile and category 4 cranes shall also develop and administer load chart exercises specific to each type of crane in use at their activity.

Existing specific crane written examinations that do not address the applicable types and categories specified in paragraph 8.7.3.1 shall be re-developed and administered when the affected operators are due for license renewal.

8.7.2.1 Evaluating and Scoring Written Examination. Answers shall not be marked wrong if the response is substantially correct, but not well stated. Some answers, however, are matters of fact and are not subject to interpretation. In cases of dispute, the judgment of the examiner shall be final.

8.7.2.2 Grading of Examinations. Incorrect answers shall be annotated. The minimum required percentage of correct answers is 80 percent. The latest graded examination for each type and category of crane shall be filed in the operator license file and shall not be returned to the applicant; however, the applicant shall be notified of the grade attained and all incorrect answers shall be critiqued.

8.7.3 Performance Tests. Applicants shall demonstrate operating proficiency by passing a performance qualification test for each category, type, and capacity of crane as noted in paragraph 8.7.3.1, for which a license is to be issued. For crane types where multiple capacities are shown, a performance test for a larger capacity crane meets the requirements of all smaller capacity cranes of that specific type. The basic requirements for these tests are set forth in appendices J, K, and L for the category and/or type of crane. Additional test requirements, including tests for crane types not shown in the appendices, shall be developed and administered for the particular

operating characteristics and features of the cranes as well as the unique mission requirements of the activity.

Operators who have been previously licensed without respect to capacity, or by type that does not comply with the types listed below, are not required to retake the performance tests until their licenses are up for renewal. At that time the requirements of paragraph 8.11.1.1.d shall be met (written documentation of operation or performance retest).

8.7.3.1 Types and Capacities of Cranes (OEM capacities for Category 1 and 4 cranes, certified capacities for Category 2 and 3 cranes).

Category 1 cranes:

Portal crane – All capacities

Tower crane – All capacities

Container crane – All capacities

Floating crane – All capacities

Hammerhead crane – All capacities

Stiff-Leg or other fixed derrick – All capacities

Mobile boat hoist and rubber-tired gantry crane – All capacities

Hydraulic telescoping boom mobile crane:

- 100,000 pounds or less maximum capacity
- 200,000 pounds or less maximum capacity
- Greater than 200,000 pounds maximum capacity

Lattice boom mobile crane with hydraulic winch(es):

- 100,000 pounds or less maximum capacity
- 400,000 pounds or less maximum capacity
- Greater than 400,000 pounds maximum capacity

Lattice boom mobile crane with friction winch(es):

- 100,000 pounds or less maximum capacity
- 400,000 pounds or less maximum capacity
- Greater than 400,000 pounds maximum capacity

Crawler crane: Test crawler travel mode as part of the test for the specific type and capacity of mobile crane above.

Category 2 cranes (all types):

- 200,000 pounds or less maximum capacity
- Greater than 200,000 pounds maximum capacity

Category 3 cab-operated cranes (all types) – All capacities

Category 4 cranes:

Telescoping boom:

- 70,000 pounds or less maximum capacity
- Greater than 70,000 pounds maximum capacity

Articulating boom:

- 30,000 pounds or less maximum capacity
- Greater than 30,000 pounds maximum capacity

8.7.3.2 Evaluating and Grading Performance Tests. Performance qualification tests shall be graded as satisfactory or unsatisfactory. All test items shall be completed correctly. If subsequent make-up tests are authorized, only those items that were checked as incorrect need be tested again. In evaluating these tests, examiners shall be guided by the applicant's performance rather than experience, background, and history. The latest graded performance test shall be filed in the operator's license file.

8.7.3.3 Notation on Test Forms. A short line is provided before each item on the performance qualification test form. The examiner shall make a check mark to indicate that the applicant has correctly performed or answered the question. The examiner shall indicate by zero or circle where the applicant fails to perform or answer correctly. The examiner shall provide a short written explanation of all incorrect items. Items that are not applicable shall be marked "NA."

8.7.3.4 Test Facilities. Test facilities shall include course sites, flags, barricades, and other devices to simulate actual working conditions. However, tests shall not be conducted in actual working conditions and environments where operator error could result in damage to equipment or injury to personnel.

8.7.3.5 Test Equipment. Test equipment refers to the crane used for testing purposes. Ordinarily these cranes are used for other work and assigned for test purposes as required. Caution shall be exercised to ensure that the crane is in a safe operating condition when furnished to an applicant for operation. The crane used by the applicant for the test shall be certified and conform to the same basic functional characteristics, attachments, type of control, capacity if applicable, and similar details as the crane noted in the application for license.

## 8.8 Application for Crane Operator License

8.8.1 Purpose of Application Form. A sample format is shown in figure 8-1. This form provides a progressive presentation of facts and developments pertinent to applying for



and issuing or denying licenses to applicants. A separate application is required for each type and capacity of crane for which the operator is to be licensed.

8.8.2 Use of the Application Form. Part I of the application shall be prepared by the applicant and sponsor. Part II shall be endorsed by the applicant's supervisor. Parts III and IV shall be prepared by the license office.

8.8.3 Control of Applications for Tests and Licenses. The use of a status control sheet to facilitate processing of individual applications by means of brief entries for each step in the application, test, and license process is recommended. Its use enables follow-through action and facilitates scheduling tests and examinations. The following are some of the items that might be included on a status control sheet:

- a. Applicant's name.
- b. Description of crane for which a license is requested.
- c. Date of supervisor's request for test and license.
- d. Date and status of action notice to supervisor.
- e. Date and results of physical examination and any specialized tests.
- f. Date and results of written tests and prerequisite information if required.
- g. Date and results of performance qualification test.
- h. Date and status of license issuance or denial.

8.9 Form and Content of the Crane Operator License. The crane operator license, shown in figure 8-2, is used to identify the crane types and capacities the named operator is authorized to operate.

8.9.1 Identification. The principal identifying entries are the name of the operator and the license number.

8.9.1.1 Name. The operator's name, as contained in official personnel records, shall be noted in this space. Use of permanent personnel identification numbers is optional.

8.9.1.2 License Number. The entry in this space shall be a sequential number not likely to be duplicated and one that can be issued by any naval activity. It shall incorporate a two-part number. The initial part is the activity unit identification code (UIC) or the UIC of the original license issuing activity. The second part is the appropriate sequential number in order of issue.

8.9.2 Qualified to Operate. These entries include descriptions of the functional characteristics of the types and capacities of cranes that the operator is licensed to

operate. Types and capacities, if applicable, shall correspond to the types and capacities provided in paragraph 8.7.3.1.

8.9.2.1 Crane Type. Include each type of crane the operator is qualified to operate (portal crane, floating crane, bridge crane, lattice boom mobile crane with hydraulic winch, etc.).

8.9.2.2 Capacity. Indicate the maximum capacity for each crane type.

8.9.2.3 Attachment. The basic qualification will be for hook work. Indicate attachments (clamshell, bucket, etc.) that the operator is qualified to operate. Annotate with "none" if no attachments are authorized.

8.9.2.4 Type of Controls. Typical entries are electric (E), hydraulic (H), or mechanical (M).

8.9.2.5 Examiner. The performance examiner shall verify, by his/her initials, that the operator successfully passed the performance requirements for each applicable type of crane.

8.9.3 Restrictions. Entries in this category are physical or medical restrictions (corrective lenses, daytime operation only, etc.) or "none" if there are no restrictions.

8.9.4 Signature of Issuing Official and Operator. The licensing official shall issue the license only after all the requirements for the specific license have been met. The operator shall sign the license.

8.9.5 Date Issued. This date shall be the date the license was initially issued, unless additional cranes are added at a later date. In this case, indicate the date of license for the additional cranes.

8.9.6 Date Expires. Unless suspended or otherwise revoked, the license is valid until midnight of stated expiration date, which shall be not more than two years from the date of initial issuance. If portions of the license are revoked for particular crane types, the license remains valid for the other crane types noted. If the license is totally revoked, the operator shall turn in the license to the licensing activity.

8.10 Crane Operator License Record. The crane operator license record (figure 8-3) is a detailed chronological record of the operator's license qualifications that shall be maintained in the operator's license file. It includes the license number, operator's name, crane types and capacities, attachments, types of control, the issuing activity, the dates of issuance, revocation, if applicable, expiration, renewal, any special requirements, and physical examination and medical restrictions.

## 8.11 Renewal, Suspension, and Revocation

8.11.1 Procedure for Renewal. The activity shall have a process to initiate license renewal actions within 90 days before the expiration date of the current license.

Arrangements for renewal examinations and tests shall be made early enough to enable all items to be satisfactorily completed before the expiration date.

8.11.1.1 Requirements for Renewal. The following are required for license renewal:

a. Physical examination. (The physical examination need not be concurrent with the license renewal, but a physical examination is required every two years while an operator holds a license. The Navy medical system standard practice of physical examinations expiring on the last day of the month that the examination was taken meets this requirement.)

b. Specialized tests if required by the activity.

c. Crane safety refresher training. Operators shall attend and pass the required refresher course of safety instruction. Refresher training and testing shall be completed within 90 days of license renewal.

d. Performance test. If an operator has not operated a particular type and capacity of crane requiring a license during the licensing period, a performance test is mandatory. Otherwise, the activity has the discretion to determine if performance tests are required. Written documentation verifying operation, for each type (and capacity of crane, as applicable) shall be provided to waive the performance test. Written documentation shall include, as a minimum, the name of the operator, the crane number, type, and capacity of the crane, and the date(s) and hours operated, and signature of authorizing official. This documentation shall be maintained in the operator's license record file. Copies of operator's daily checklists are acceptable provided they have been signed by a supervisor.

8.11.2 Suspension. Licenses may be suspended for cause at any time by the licensing office. Following an accident, the operator's license shall be suspended when the accident investigation identifies that the operator did not perform correctly. The requirements for renewal shall consist of those elements described in paragraph 8.11.1.1 (and any additional requirements) considered necessary by management after investigation and consideration of the circumstances relating to the accident or other occurrence warranting the suspension. Documentation of suspension, justification, and renewal actions, including test results if applicable, shall be included in the operator's license file.

8.11.3 Revocation. Where circumstances require revocation of all or a portion of the operator's license, supporting justification shall be included in the operator's license file. Additionally, the date of revocation shall be annotated on the crane operator license record.

8.12 Operator License Files. All relevant forms and supporting data shall be kept in the operator's license file. There shall be an individual file kept for each applicant and operator. For convenience, the file may be together in one central location, or portions of the file may be located separately, so long as they are available upon request.

Electronic versions of the file are acceptable. Each operator's license file shall contain the following as a minimum:

- a. Application for crane operator license.
- b. Crane operator license record.
- c. Copy of current crane operator license or incidental (no load) operator license.
- d. Current certificate of medical examination, waivers, if applicable, and results of any specialized tests.
- e. Specific crane written examinations (graded and signed by examiner and dated).
- f. Performance tests, latest for each type and capacity of crane as applicable, (graded and signed by examiner and dated).
- g. Initial safety course record and latest refresher safety course record (graded and signed examination or certificate of completion).
- h. License suspension and renewal records (including documentation supporting waiver of performance retest requirement for license renewal).
- i. Revocation justification.

Read the <b>PRIVACY ACT STATEMENT</b> reverse before completing this application. <b>APPLICATION FOR CRANE OPERATOR LICENSE.</b>			
PART I – APPLICATION			
1. NAVAL ACTIVITY	2. APPLICANT'S NAME	3. RANK, RATE OR CIVILIAN GRADE	
4. DEPARTMENT, DIVISION AND/OR SHOP ASSIGNED TO		5. APPLICANT'S JOB TITLE	
6. DESCRIPTION OF EQUIPMENT LICENSE REQUESTED			
(a) TYPE OF CRANE	(b) CAPACITY	(c) TYPE OF CONTROL	(d) TYPE OF ATTACHMENT
7. STATEMENT OF QUALIFYING EXPERIENCE			
8. DESCRIPTION OF CRANES APPLICANT IS CURRENTLY LICENSED TO OPERATE			
9. SPONSOR'S STATEMENT OF APPLICANT'S READINESS AND/OR PREPARATORY TRAINING FOR TEST <small>(NOTE: The sponsor can be either a qualified instructor or licensed operator.)</small>			
Signature _____ <span style="margin-left: 150px;"><i>Sponsor</i></span>			
PART II – REQUEST FOR ADMINISTERING TESTS AND EXAMINATIONS AND ISSUING LICENSE			
FROM:			
TO:			
It is requested that the License for type of crane described in item 6 above be issued to this applicant upon his/her successful completion of the required examinations and tests.			
Signature _____ Title _____ <span style="margin-left: 100px;"><i>Department, Division or Shop Supervisor</i></span>			
(OVER)			

Figure 8-1 (1 of 2)

PART III – ACTION ON SUBJECT APPLICATION	
FROM:	DATE
TO:	
<input type="checkbox"/> Arrangements will be made to proceed with examinations and tests as requested.	
<input checked="" type="checkbox"/> No action will be taken on this application for the following reason:	
Signature _____	
Title _____	
PART IV – LICENSE ACTION	
FROM:	DATE
TO:	
<input type="checkbox"/> The subject license has been issued/annotated for the requested type of crane.	
<input type="checkbox"/> The applicant has failed his/her physical examination.	
<input type="checkbox"/> The applicant has failed to qualify for the subject license.	
_____ number of days (the established waiting period) must elapse before a new application may be made for this license.	
Signature _____	
Title _____	
PRIVACY ACT STATEMENT	
This statement is provided in compliance with the provisions of the Privacy Act of 1974 (PL 93-579) (N00011 CO2) which require that Federal agencies must inform individuals who are requested to furnish information about themselves as to the following facts concerning the information.	
1. AUTHORITY: 5 U.S.C. 301 Departmental Regulations	
2. PRINCIPAL PURPOSE: To apply for a license to operate Navy cranes.	
3. ROUTINE USES: To be used by agency officials to determine the employee's eligibility to operate Navy cranes. May be used by safety and security officials to verify individual's qualifying experience.	
4. MANDATORY OR VOLUNTARY DISCLOSURE: The disclosure of information requested is voluntary. However, failure to complete the form will result in non-issuance of license.	

Figure 8-1 (2 of 2)

CRANE OPERATOR LICENSE		QUALIFIED TO OPERATE				
NAME OF OPERATOR	DATE ISSUED	CRANE TYPE	CAPACITY	ATTACHMENT	TYPE CONTROLS	EXAMINER
LICENSE NO.	DATE EXPIRES					
<b>THE HOLDER OF THIS CARD IS QUALIFIED TO OPERATE U.S. NAVY CRANES AS SPECIFIED ON REVERSE OF THIS CARD</b>						
SIGNATURE OF ISSUING OFFICIAL						
SIGNATURE OF OPERATOR						
Card must be carried at all times when operating Navy cranes. Not transferable to other personnel. <b>NOTE: INFORMATION ON THIS LICENSE IS SUBJECT TO SAFEGUARD AND DISCLOSURE CONDITIONS OF THE PRIVACY ACT OF 1974.</b>						
		RESTRICTIONS (Vision, Hearing, Other)				

BACK

FRONT

Figure 8-2





## SECTION 9 OPERATOR CHECKS

9.1 Pre-Use Check (Category 1, 2, and 4 Cranes and Cab-Operated Category 3 Cranes). A complete check of the crane shall be performed by the operator prior to the first use of the crane each day (whether the crane is used in production, maintenance, testing, or being relocated). A crane operator's daily checklist (ODCL) shall be used for this purpose. The operator shall sign the ODCL at the completion of the check. Except for cranes used in construction, the first operator in each subsequent shift that day shall perform the operational checks of paragraph 9.1.2.1.4 (except that the boom hoist limit switches need not be checked). All other operators shall review and sign the initial ODCL and review any tags posted on the crane. For cranes used in construction operations, a complete check shall be performed each shift.

The crane team shall assist the operator in performance of the operational check as necessary. If only one hoist will be used on a multiple-hoist crane, then the ODCL checks are not required for the unused hoist(s). This situation shall be documented in the "remarks" section of the ODCL. The ODCL shall be turned in to the supervisor, for the supervisor's review and signature, after the last use of the crane each day. The only exceptions to completion of the appropriate ODCL prior to making a lift are when a load is suspended from the hook for a period that spans more than one operator and the lift cannot be practically or safely interrupted or when critical continuous operations are involved where the performance of a subsequent pre-use check would adversely affect the safety and integrity of the crane operation (e.g., docking or undocking of a ship). In those instances, the appropriate check shall be performed immediately upon completion of the lift or critical continuous operation, unless the equipment will not be operated again by that operator. For operations not involving a lift (e.g., moving the crane to a new location), the operator shall check those functions applicable to the operation to be performed.

9.1.1 Documentation. Figure 9-1 identifies attributes applicable to most types of cranes. If a crane is equipped with load bearing or load controlling parts or safety devices not shown in figure 9-1, they shall be included in the activity's ODCL. Shortened forms, customized to particular categories of cranes, may be used provided they include all attributes applicable to the particular cranes covered.

9.1.2 Procedure. The operator shall check the items prescribed on the ODCL. It is not the intent of this paragraph to require checking of those items that would require additional personnel (such as electricians) or additional equipment (such as man lifts or fall protection equipment) or safety lockouts. The operational check shall also include operating the machine without load through all motions; using all controls through a range sufficient to ensure their proper operation; and verifying the proper operation of safety devices, gauges, meters, warning signals, limit switches, and other devices.

9.1.2.1 Specific Instructions. The pre-use check is in four parts and is designed to group the items to be checked in their normal sequence of location or area as they would normally be observed. All items and attributes are keyed to the ODCL. The

condition observed shall be indicated on the form. The operator may perform the check from the various groupings in parallel.

9.1.2.1.1 Walk Around Check. The operator shall perform a walk-around check as noted below on those cranes equipped with a safe access means. For category 1 and 4 cranes, the walk around check shall be from the ground, inside the machinery house if applicable, the operator's cab, and the walkways and ladders between the ground, machinery house, and operator's cab. The boom may remain in its normal operating range. It is not intended that the boom and A-frame be climbed. For cab-operated category 2 and 3 cranes with access ladders and walkways, the check shall be from the ground, the walkways, the cab, and if safe access is provided, the trolley. The walk around check for non-cab-operated cranes may be performed from the ground. The operator shall ensure the crane is currently certified. Enter the certification expiration date on the ODCL. If the crane is not currently certified, this condition shall be reported to the supervisor and the crane shall not be operated. The check shall include walking around and/or over the exterior of the crane, observing anything that is out of order or place. As a minimum, the operator shall observe and report the condition of the following:

- a. Safety Guards and Plates. Check for missing safety guards and plates.
- b. Carrier Frame and Rotate Base. Check carrier frame and rotate base thoroughly for obvious physical damage, such as cracking, bending, or deformation of plates or welds. Check for cracking or flaking of paint that may indicate a crack or damage in the structure beneath. Check hook rollers, bull gear, and rotate pinion.
- c. General Hardware. Check for missing and loose hardware (bolts, nuts, brackets, etc.).
- d. Wire Rope. Check wire rope for unusual wear, fraying, birdcaging, corrosion, and kinking. Check end connections where visible, particularly wedge sockets for proper configuration, seating, and condition of wire rope. Check chafing blocks for adequate guidance of lines and excessive wear.
- e. Reeving. Check for condition of wire rope or load chain reeving. Check to ensure wire rope fleet angle has not caused overriding of drum flange. Check to ensure wire rope or load chain is running true in the hook block and boom point sheaves. Check to ensure wire rope or load chain is laying correctly on the drum or sprockets. (Crane team riggers may check this item.)
- f. Block. Check condition of block and that all swivels rotate freely. (Crane team riggers may check this item.)
- g. Hook. Check condition of hook for cracks, excessive throat opening, or twist. If rigging gear is on the hook and cannot be easily removed, check hook to the maximum extent possible without removing the rigging gear. (Crane team riggers may check this item.)

- h. Sheaves or Sprockets. Check, where practical, condition of sheaves or sprockets to determine that they are free to rotate and are not cracked or chipped.
- i. Boom and Jib. Check condition of boom and jib for straightness and any evidence of physical damage, such as cracking, bending, or other deformation of the steel elements or welds. When checking lattice booms, be especially watchful for bent lattices and dents in the main chords.
- j. Gantry, Pendants, and Boom Stops. Check condition of gantry, pendants, and boom stops. Check gantry for distortion or other damage. Check boom pendants for sags or other evidence of unequal length and that the anchor pins are set. Check boom stops to ensure they are not damaged and telescoping struts are not jammed.
- k. Walkways, Ladders, and Handrails. Check condition of walkways, ladders, and handrails. Look for loose mountings, cracks, excessive rust, loose rungs, or any other signs of unsafe conditions.
- l. Wind locks, Stops, and Bumpers. Check for free action of wind locks. Check stops and bumpers on the crane for cracks or other damage.
- m. Tires, Wheels, and Tracks. Check condition of tires for inflation, serious cuts, or excessive wear. If lifts on rubber are planned, check tires with gage for proper inflation pressure per OEM load chart. Check wheels to ensure they are not loose or damaged. On tracked machines, look for excessive slack, broken or loose pads, or any other obvious defects.
- n. Leaks. Check for evidence of any leakage of fuel, lubricating oil, hydraulic fluid, or engine coolant on the machine frame and on the ground beneath machine.
- o. Outriggers/Stabilizers. Check outriggers/stabilizers for damage. If floats or pads are not permanently installed on the outrigger/stabilizer, check to ensure they are on the carrier and that they are not damaged.
- p. Load Chain. Check for damaged or deteriorated links.
- q. Area Safety. Check work area and ensure that exact locations of obstacles or hazards are known. Check to ensure ground conditions are sufficiently firm to support a loaded crane. Verify temporary connections are removed or cleared for operation (e.g., temporary shore power or hotel power).
- r. Danger/Caution Tags. For pendant or remote operated cranes, if danger or caution tags are posted, read, understand, and follow the directions on the tags. Check the appropriate ODCL column as follows: "S" – all tags are properly hung; "U" – tags improperly hung or otherwise deficient; "NA" – no tags.
- s. Instructions. For pendant or remote operated cranes, ensure all required instructions are available on or near the pendant/remote (including backup or

spare pendants/remotes): e.g., operating instructions, adverse weather operating instructions, additional activity specific instructions, etc. Posting adjacent to the crane disconnect is acceptable. Ensure all available instructions are understood.

9.1.2.1.2 Machinery House/Machinery Area Check. The operator shall perform a machinery house/machinery area check on those cranes and trolleys equipped with a safe access means. For category 2 and 3 cab-operated cranes, the machinery area check shall be from the ground, the operator's cab, and the walkways. Enter machinery house/area and/or remove machinery inspection panels or covers observing the following:

a. Housekeeping. Check to ensure the machinery house/area and accesses are clean. Check to ensure tools and authorized materials are properly stored and that waste and debris are removed.

b. Diesel Engine and Generator. Check diesel engine lubricating oil level, radiator coolant level, hydraulic oil level, and fuel level. Check fan and drive belts for damage. Check for evidence of loose fasteners, oil or grease splashes, and any indications of overheating.

c. Leaks. Check for leaks of lubricating oil, fuel, coolant, hydraulic oil, or grease.

d. Lubrication. Check gear cases for lubricant level and evidence of over or under lubrication of crane components.

e. Battery. Check for excessive corrosion and leakage.

f. Lights. Check that machinery house/area lights are working.

g. Glass. Check for broken or missing glass in machinery house/area doors or windows.

h. Clutches and Brakes. Check accessible portions of clutches and brakes for evidence of excessive heat, wear, or grease and oil on the linings. Check for evidence of loose fasteners and for missing or broken parts. If a brake is equipped with a manual release mechanism, check to ensure the mechanism is not in the released position.

i. Electric Motors. Check all motors for evidence of loose fasteners, oil or grease splashes, and any indications of overheating.

j. Auxiliary Engine and Compressor. Check lubricating oil level, radiator coolant level, hydraulic oil level, and fuel level. Check fan and drive belts for damage. Check for evidence of loose fasteners, oil or grease splashes, and any indication of overheating.

k. Danger/Caution Tags. If danger or caution tags are posted, read, understand, and follow the directions on the tags. Check the appropriate ODCL column as

follows: “S” – all tags are properly hung; “U” – tags improperly hung or otherwise deficient; “NA” – no tags.

l. Fire Extinguishers. Check to ensure fire extinguishers are in place, seals are unbroken, and inspection tags are up to date.

m. Hoist Drum Pawls and Ratchets. Check locking pawls and ratchets, where visible, for damage, alignment and proper engagement.

9.1.2.1.3 Operator Cab Check. Enter cab and ensure all controls are in the neutral or off position before starting engine. Start engine and check the following:

(Note: Specific sequence will vary with type of crane. Operators shall not carry articles in their hands, or carry large articles in their pockets when climbing ladders to access the cranes.)

a. Gauges. Check gauges to ensure none are broken or missing and that they are operating normally.

b. Indicator and Warning Lights. Check indicator and warning lights to ensure none are broken or missing and that applicable indicator and warning lights are lit.

c. Visibility. Check visibility to ensure that all windows and mirrors are clean, unbroken, and that any vandal guards have been removed from windows.

d. Load Rating Charts. Check to ensure that load rating charts are posted in the operator's cab and that they are legible.

e. List and Trim Indicator (Floating Cranes). Check list and trim indicator to ensure crane is level within tolerances. Check to ensure both list and trim bubble tubes are in their respective holders and not broken.

f. Boom Angle/Radius Indicator. Check indicator(s) for damage and that linkages are connected. When electronic indicators are used, ensure power is supplied.

g. Fire Extinguisher. Check to ensure fire extinguishers are in place, seals are unbroken, and inspection tags are up to date. Operators shall be familiar with location, operation, and care of fire extinguishers provided.

h. Level Indicator (Mobile Cranes). Check level indicator for damage.

i. Danger/Caution Tags. If danger or caution tags are posted, read, understand, and follow the directions on the tags. Check the appropriate ODCL column as follows: “S” – all tags are properly hung; “U” – tags improperly hung or otherwise deficient; “NA” – no tags.

j. Instructions. Check to ensure all required instructions are available in the cab, e.g., operating instructions, OEM operation manual, adverse weather operating instructions, and additional activity specific instructions.

k. Housekeeping. Check to ensure the operator's cab is free of clutter and unnecessary clothing, and that personal belongings, tools, maintenance products, waste, etc., are properly stored and not be permitted to lie loose about the cab or interfere with operation.

9.1.2.1.4 Operational Check. Warm up engine. When ready to perform operational check, alert rigger and perform the following:

a. Area Safety. Check work area and ensure that exact locations of obstacles or hazards are known. Ensure ground conditions are sufficiently firm to support a loaded crane. It is not expected that all possible areas of travel be checked during the pre-use check. However, before any area of travel is utilized that has not been checked during the pre-use check additional attention should be focused on obstacles and potential hazards.

b. Outriggers/Stabilizers. Prior to initial set up, check outriggers/stabilizers to ensure they function freely.

c. Unusual Noises. After starting engine, be alert for unusual noises, fluid leaks, improper functioning, incorrect readings of gauges, and loss of power or bad response to control of the engines or motors.

d. Controls and Control Action. Check control mechanisms for excessive wear of components and contamination by lubricants or other foreign material. Check controls through a range sufficient to ensure that they operate freely and that the corresponding component actuates properly when controls are activated. Check hoist controls through full speed range.

e. Wire Rope or Chain. Check for proper paying-out of the wire rope or chain, that the wire rope or chain and hook blocks do not twist/spin, and that the wire rope or chain is running freely through the sheaves or sprockets and blocks. If the boom and hoist drums or load sprocket are visible from the operator's station, check for proper spooling of the wire rope on/off the drum or chain on/off the load sprocket. After lowering the hooks and the boom for limit switch tests and hook inspections, observe sections of wire rope or chain that may not be visible during the walk around check.

f. Brakes and Clutches. Check brake and clutch actions and ensure they are functioning normally and that there is no slippage, excessive play, or binding. Exercise brakes and clutches to ensure they are dry.

g. Boom Angle/Radius Indicator. Check operation of boom angle and/or radius indicator.

h. Limit Switches. Checking of limit switches shall be performed at slow speed and shall include each upper hook hoist primary limit switch and the upper and lower boom hoist primary limit switches. (Except for cranes used in construction, verifying the operation of the upper and lower boom hoist limit switches is required only during the initial check of the crane each day.) Checking of hook hoist lower limit switches is not required if the hook can be lowered to its lowest possible position (e.g., bottom of drydock being worked at minimum radius, floor level for typical building crane) while still maintaining a minimum of two wraps of rope on the hoist drum (three wraps for ungrooved drums) or extra chain for a chain hoist. When lower limit switch checks are not required, this shall be noted on the crane operators pendant, master switch, or operating instructions. For cranes that do not have the requisite number of wraps or sufficient chain, the hook hoist lower limit switch shall be checked where operationally possible, i.e., if the crane is at a location where the limit switch can be checked (where the lower limit switch is not checked during the pre-use check, it shall be checked if the crane is subsequently relocated to a position where it can be checked). For cranes that have hoist overload clutches or two-block damage prevention features, do not check the overload clutches or damage prevention features. The ODCL shall be annotated to ensure that these features are not checked.

Checking of secondary limit switches is not required unless a specific operation is planned where the primary limit switch will be bypassed. (See section 10 for controlling the bypassing of safety devices.)

i. Emergency Stop (e.g., Power-Off Button). Check the emergency stop. Know its location and ensure it is working properly. If the emergency stop is checked while a motion is in operation, check at slow speed. (Not applicable to diesel engine shutdowns on portal and floating cranes.)

j. Other Operational Safety Devices. Check any other operational safety devices as directed by the activity engineering organization.

k. General Safety Devices. Check general safety devices to ensure they are functioning.

l. Fleeting Sheaves. Check operation of fleeting sheaves, where visible, to ensure they travel freely on the shaft.

#### 9.1.2.1.5 Additional Pre-Use Checks for Floating Cranes, Including Mobile Cranes on Barges.

In addition to the above, the following items shall be checked each shift and documented on the ODCL:

a. The means to secure a mobile crane to the barge for wear, corrosion, loose or missing fasteners, and defective welds.

b. The vessel/flotation device is not taking on water.

- c. The deck load is properly secured.
- d. The vessel/flotation device is watertight based on the condition of the chain lockers, storage, fuel compartments, and hatches.
- e. The firefighting and lifesaving equipment is in place and functional.

## 9.2 Pre-Use Check (Non-Cab Operated Category 3 Cranes).

a. For all cranes, the operator shall perform a pre-use check prior to the first use of the crane each day (whether the crane is used in production, maintenance, testing, or being relocated). In addition, the first operator in each subsequent shift that day shall perform an operational check of the crane, to include the hoist upper limit switch. For cranes used in construction, the pre-use check shall be performed prior to each shift the crane is used. The pre-use check shall use applicable checks and exceptions of paragraphs 9.1 and 9.1.2.1 as a guide. The pre-use check need not be documented. Problems found shall be reported to the supervisor.

b. For bridge, wall, and gantry cranes, a documented pre-use check shall be performed at least once each calendar month the crane is in use. The pre-use check shall be in accordance with paragraph 9.1.2. The checklist shall be completed and signed by a qualified operator. The operator shall forward the checklist to the supervisor for review and signature.

## 9.3 Operator-Detected Deficiencies

### 9.3.1 Load Bearing Parts, Load Controlling Parts, and Operational Safety Devices.

When an operator, during the daily check of equipment or during operation, observes a deficiency of a load bearing part, load controlling part, or operational safety device (e.g., an asterisked item on the ODCL); or an operating condition that could result in uncontrolled movement, failure to move as expected from a control input, or otherwise render the crane unsafe, he/she shall immediately secure the crane from further operation and notify the supervisor of the deficiency observed. This includes leaks with greater than normal seepage. The supervisor shall immediately report the crane deficiency to the crane inspection organization for diagnosis of the deficiency and initiation of corrective repair action, including engineering resolution as necessary. The crane (or affected hoist on cranes with multiple hoists) shall not be returned to service until such deficiencies are either corrected or evaluated by the activity engineering organization as satisfactory for continued operation. If there is no activity engineering organization, the inspection organization shall evaluate the deficiency and the certifying official shall approve continued operation. See sections 3 and 4 for requirements for repair, inspection, and certification. The items shall be marked as unsatisfactory. A note in the remarks block shall identify the specific component and describe the unsatisfactory condition. In the case of a known (and tagged) deficiency, the operator shall mark the appropriate block on the ODCL (e.g., "Electric Motors" for an inoperative portal crane travel motor, level indicator for a defective level indicator and requirement to measure levelness with portable level) as unsatisfactory and explain in the remarks



block that the crane has been determined satisfactory for operation with the restrictions noted. In such cases, the operator would not need to contact his supervisor.

9.3.2 Other Deficiencies. For any other deficiency noted on the ODCL, the item shall be marked as unsatisfactory and the operator shall describe the deficiency in the remarks block. The operator's supervisor shall forward the ODCL to the organization responsible for corrective action. For non-cab-operated category 3 cranes, the activity shall prescribe procedures for notification and corrective action.

# CRANE OPERATOR'S DAILY CHECKLIST

CRANE NO.	TYPE/CAPACITY	LOCATION	CERTIFICATION EXPIRATION DATE	SHIFT 1 2 3	HOUR METER START STOP	HRS OPERATED	DATE
OPERATORS							
LEGEND S = SATISFACTORY U = UNSATISFACTORY NA = NOT APPLICABLE							
1 WALK AROUND CHECK							
a	S U NA	SAFETY GUARDS AND PLATES	S U NA				
b	S U NA	Carrier Frame and Rotate Base *	S U NA				
c	S U NA	General Hardware	S U NA				
d	S U NA	Wire Rope *	S U NA				
e	S U NA	Reeving *	S U NA				
f	S U NA	Block *	S U NA				
g	S U NA	Hook *	S U NA				
h	S U NA	Sheaves or Sprockets *	S U NA				
i	S U NA	Boom and Jib *	S U NA				
j	S U NA	Gantry, Pendants, and Boom Stops *	S U NA				
k	S U NA	Walkways, Ladders, and Handrails	S U NA				
l	S U NA	Wind Locks, Stops, and Bumpers *	S U NA				
m	S U NA	Tires, Wheels, and Tracks *	S U NA				
n	S U NA	Leaks	S U NA				
o	S U NA	Outrigger/Stabilizers *	S U NA				
p	S U NA	Load Chain *	S U NA				
q	S U NA	Area Safety *	S U NA				
r	S U NA	Danger/Caution Tags *	S U NA				
s	S U NA	Instructions	S U NA				
2 MACHINERY HOUSE CHECK							
a	S U NA	Housekeeping	S U NA				
b	S U NA	Diesel Engine and Generator *	S U NA				
c	S U NA	Leaks	S U NA				
d	S U NA	Lubrication	S U NA				
e	S U NA	Battery	S U NA				
f	S U NA	Lights	S U NA				
g	S U NA	Glass	S U NA				
h	S U NA	Clutches and Brakes *	S U NA				
i	S U NA	Electric Motors *	S U NA				
j	S U NA	Auxiliary Engine and Compressor	S U NA				
k	S U NA	Danger/Caution Tags *	S U NA				
l	S U NA	Fire Extinguishers	S U NA				
m	S U NA	Hoist Drum Pawls and Ratchets *	S U NA				
3 OPERATOR CAB CHECK							
a	S U NA	Gauges	S U NA				
b	S U NA	Indicator and Warning Lights	S U NA				
c	S U NA	Visibility *	S U NA				
d	S U NA	Load Rating Charts	S U NA				
e	S U NA	Lis/Trim Indicator (Floating Cranes) *	S U NA				
f	S U NA	Boom Angle/Radius Indicator	S U NA				
g	S U NA	Fire Extinguisher	S U NA				
h	S U NA	Level Indicator (Mobile Cranes) *	S U NA				
i	S U NA	Danger/Caution Tags	S U NA				
j	S U NA	Instructions	S U NA				
k	S U NA	Housekeeping	S U NA				
4 OPERATIONAL CHECK							
a	S U NA	Area Safety *	S U NA				
b	S U NA	Outrigger/Stabilizers *	S U NA				
c	S U NA	Unusual Noises	S U NA				
d	S U NA	Controls and Control Action *	S U NA				
e	S U NA	Wire Rope or Chain *	S U NA				
f	S U NA	Brakes and Clutches *	S U NA				
g	S U NA	Boom Angle/Radius Indicator *	S U NA				
h	S U NA	Limit Switches *	S U NA				
i	S U NA	Emergency Stop *	S U NA				
j	S U NA	Other Operational Safety Devices *	S U NA				
k	S U NA	General Safety Devices	S U NA				
l	S U NA	Fleeting Sheaves	S U NA				
INSTRUCTIONS: Check all applicable items indicated, each shift. Suspend all operations immediately when observing an unsatisfactory condition of any item indicated with an asterisk (*) unless the condition has been reviewed and continued operation has been authorized by the activity engineering organization. In addition, suspend operation when any unsafe condition is observed and immediately notify supervisor. For any unsatisfactory item, identify the specific component and describe the deficiency in the "Remarks" block.							
FIRST OPERATOR'S SIGNATURE						DATE	
OPERATOR'S SIGNATURE						DATE	
SUPERVISOR'S SIGNATURE						DATE	
REMARKS							

Figure 9-1  
9-10

## SECTION 10 OPERATIONS

10.1 Crane Operation Safety Procedures. Crane accidents take a heavy and tragic toll each year in lives, serious injury, and/or property damage. The vast majority of crane accidents are the result of personnel error and are therefore avoidable. Crane operation safety is the result of effective teamwork among the team. In most accidents, a team member either performs an unsafe action or fails to perform a required safe action. Where team personnel are at fault, it is typically due to inattention, poor judgment, overconfidence, or haste to get the job done. This section below prescribes basic crane safety procedures that every crane team member shall thoroughly understand and constantly practice to avoid accidents. Section 14 provides rigging requirements and practices.

10.1.1 Operational Risk Management. OPNAVINST 3500.39 describes the process of operational risk management (ORM) with the purpose of establishing ORM as an integral part of naval operations, training, and planning in order to optimize operational capability and readiness. The ORM process is a decision making tool to be used by people at all levels to anticipate hazards, minimize risk to acceptable levels, and reduce the potential for accidents. One of the objectives of ORM training is to develop sufficient proficiency in applying the process such that ORM becomes an automatic or intuitive part of decision making methodology. The ORM process is applicable to all WHE operations. Activities are encouraged to utilize the methodology of ORM in the planning and preparation of all WHE lifts.

10.2 Crane Team. The crane team consists of the crane operator, rigger-in-charge, riggers, signal persons, and crane walkers, as required. The rigger supervisor shall designate the rigger-in-charge (team leader), crane riggers, signal persons, and crane walkers. The size of the team will vary to suit the job as determined by the rigger supervisor. Appendix N provides competency requirements for crane team members.

The concept of effective teamwork shall be stressed by management. Team members shall work together to ensure the safety of crane operations. While each member of the team has defined responsibilities, everyone is responsible for recognizing potential problems and making all team members aware of them. Any crane team member shall stop the job any time unsafe conditions are found and report to supervision problems that cannot be resolved by the team.

### 10.2.1 Responsibilities

10.2.1.1 Rigger-in-Charge. The rigger-in-charge (RIC) has overall control of the operation including: planning all aspects of the lift; determining the weight of the load to be lifted; establishing the appropriate method of communication with the operator; ensuring the load is properly rigged; ensuring the crane operating envelope remains clear of all obstructions; providing signals to the operator or assigning another rigger or signal person to provide the signals; and conducting the operation in a safe manner. The RIC shall coordinate the activities of other crane team members. The RIC shall not perform functions that would compromise their overall control of the operation.

10.2.1.2 Rigger. The rigger is responsible for carrying out the assignments from the RIC and the rigger supervisor, including: assisting the crane operator in performing the pre-use check of the crane; proper gear selection and inspection prior to use; safe rigging of the load; and keeping the RIC informed of questionable conditions associated with the operation.

10.2.1.3 Crane Walker. The crane walker is responsible for assisting the rigger and operator in the pre-use check of the crane; and ensuring the safe travel of the crane by observing for potential obstructions, properly aligning crane rail switches, and being in a position to immediately notify the operator to stop operations should a potential problem arise. Based on size of crane and congestion of area, multiple crane walkers may be required.

10.2.1.4 Signal Person. The signal person (or designated signaler) is responsible for communicating crane movements with the crane operator. This may be the RIC, a rigger, or another qualified individual. Communications shall be in accordance with paragraph 10.7.

10.2.2 Operator Responsibilities. The primary responsibility of the operator is the safe operation of the crane. Operator responsibilities include: performing the pre-use check of the crane; fully understanding the lift prior to starting, including participating in pre-lift briefings; maintaining communication with the RIC or signal person throughout the operation; making movements only when given the direction to do so (when such direction is required, e.g., for cab-operated cranes); knowing or having a reasonable estimate of the weight to be lifted, and refusing to operate the crane when there are concerns about the safety of the operation.

10.2.2.1 Operator Condition. First and perhaps most important, the operator shall, by self-examination, determine whether he/she is physically, mentally, and emotionally fit to operate the crane. The lives of many may be dependent on the operator's actions. If the operator is on medication, he/she shall consult a physician regarding adverse effects. The operator shall ask him/herself daily: Do I feel well? Can I handle the physical tasks of operating? Do I have a clear head and am I thinking and remembering properly? Am I alert? Is my attitude good today? Am I calm, cool, and collected? If an operator cannot honestly answer yes to these questions, operating a crane could be an accident hazard and he/she shall not operate the crane.

10.2.2.2 Understanding the Crane. Generally, crane operators at naval activities are required to operate various types, makes, and models of cranes. The operator shall be thoroughly familiar with the operating characteristics, including posted operational restrictions or limitations, of each type, make, and model of crane that may be operated.

Many newer cranes with microprocessor controls operate differently than older cranes with magnetic controls. These operational differences include "load float", deceleration times in lieu of directly applying brakes, and variable speed controls in lieu of discrete acceleration points. When newer cranes replace older cranes, additional operator training and posting of operational characteristics may be required to ensure a safe operating environment.

10.2.2.3 Safety Devices. There are many varieties of cranes and safety devices on them. Many safety systems are complex and require thorough training on their operation. This is particularly so on mobile cranes that are leased or rented for short-term use. Activities shall ensure, through training, pre-briefs, spot checks, or performance examination, that operators and supervisors are knowledgeable of the operation of safety systems on assigned cranes. It cannot be presumed that knowledge of a system on one crane indicates adequate knowledge on other cranes. Operators shall fully understand that safety devices, such as interlocks and limit switches, shall not be used as operational controls. They are not a substitute for full attention by the operator to potential hazards. Operators shall be trained to approach limit switches (hoist, rotate, and travel) only at slow speed.

Additionally, each activity shall develop procedures for controlling the bypassing of safety devices. Supervisors shall control the usage of keys for safety device bypassing. Keys shall be removed from the bypass switches when not in use. The keys shall be removed from the crane and shall be retained by the supervisor unless unique activity operations require that the keys remain on the crane (e.g., operating mobile cranes at remote sites). Where removal of the keys is not practical or where safety devices may be bypassed by other means, permission for bypassing/defeating safety devices (except for performance of the operator's pre-use check) shall be obtained from the operator supervisor. This requirement shall be posted in the operator's cab (or attached near the controller for cranes without an operator's cab). Supervisors shall brief operators on the procedures prior to assignment on such cranes.

For cranes that do not provide protection against two-blocking and are not equipped with two-block damage prevention features, activities shall develop crane specific procedures designed to minimize the possibility of two-blocking (e.g., prohibiting hoisting when hook block is within 10 feet of contacting the boom or 3 feet from contacting the hoist frame; providing a rigger to watch the hook block when the hook approaches the boom or hoist frame; or prohibiting any simultaneous crane movement while hoisting). Those cranes that do not have lower limit switches and do not have enough wire rope or chain for the block to reach the ground shall be identified to the operator by a tag, placard, or other prominent notification to ensure the operator does not inadvertently run all the rope or chain off the crane. Additionally, those cranes that do not require lower limit switch testing as noted in paragraph 9.1.2.1.4.h shall be marked with a tag, placard or other prominent notification.

10.2.2.3.1 Additional Requirements for Operational Safety Devices, General Safety Devices, and Related Equipment for Cranes Used in Construction. The following operational safety devices, general safety devices, and related equipment are required on cranes used in construction operations, unless otherwise specified:

- a. A properly working crane level indicator that is either built into the equipment or is available on the equipment. This requirement does not apply to portal cranes, derricks, floating cranes and derricks, and land cranes and derricks on barges, pontoons, vessels or other means of flotation.
- b. Boom stops, except for derricks and hydraulic booms.

- c. Jib stops (if a jib is attached).
- d. Equipment with foot pedal brakes shall have locks on the pedals.
- e. Hydraulic outrigger/stabilizer jacks shall have an integral holding device or check valve.
- f. Hydraulic boom luffing and telescoping cylinders shall have an integral holding device.
- g. For equipment manufactured after December 16, 1969, a boom hoist limiting device is required. If the equipment was manufactured on or before December 16, 1969, and is not equipped with a boom hoist limiting device, at least one of the following alternative measures is required:
  - (1) Use a boom angle indicator.
  - (2) Clearly mark the boom hoist cable (so that it can easily be seen by the operator) at a point that will give the operator sufficient time to stop the hoist to keep the boom within the minimum allowable radius. In addition, install mirrors or remote video cameras and displays if necessary for the operator to see the mark.
  - (3) Clearly mark the boom hoist cable (so that it can easily be seen by a spotter) at a point that will give the spotter sufficient time to signal the operator and have the operator stop the hoist to keep the boom within the minimum allowable radius.
- h. Luffing jib limiting device (for cranes with luffing jibs).
- i. Telescopic boom cranes manufactured after February 28, 1992, shall be equipped with anti-two-block or two-block damage prevention device(s). The device(s) shall prevent such damage at all points where two-blocking could occur.
- j. Lattice boom cranes manufactured after February 28, 1992, shall be equipped with anti-two-block or two-block damage prevention device(s), or devices(s) that warn the operator in time for the operator to prevent two-blocking. The device shall prevent such damage/failure or provide adequate warning for all points where two-blocking could occur.
- k. Articulating boom cranes manufactured after December 31, 1999 equipped with a load hoist shall be equipped with anti-two-block or two-block damage prevention device(s). The device(s) shall prevent such damage at all points where two-blocking could occur.
- l. Boom angle or radius indicator readable from the operator's station. (Not required for articulating boom cranes.)

- m. Jib angle indicator if the equipment has a luffing jib. (Not required for articulating boom cranes.)
- n. Boom length indicator if the equipment has a telescopic boom, except where the rated capacity is independent of the boom length. (Not required for articulating boom cranes.)
- o. Equipment manufactured after March 29, 2003 shall have at least one of the following: load weighing device, load moment (or rated capacity) indicator, or load moment (or rated capacity) limiter.
- p. Category 2 or 3 cranes used in construction shall have an anti-two-block device.
- q. A properly working horn that is either built into the equipment or is on the equipment and immediately available to the operator.
- r. Cranes on rails shall have rail clamps and rail stops, except for portal cranes.
- s. An accessible fire extinguisher shall be provided on the crane.

Operations shall not begin unless all of the devices noted above are in proper working order. If a device stops working properly during operation, the operator shall safely stop operations. If any of the devices are not in proper working order, the equipment shall be removed from service and operation shall not resume until the device is working properly.

10.3 OEM's Operation Manual. Crane operators shall read, thoroughly understand, and comply with all procedures, safety instructions, and precautions in the OEM's operation manual. This also applies to instructors and supervisors in initial checkout of new cranes. Where operating procedures are unavailable from the OEM, the activity shall develop and ensure compliance with all procedures necessary for the safe operation of the crane and attachments. The OEM's operation manual shall be on the crane and readily available to the operator for all category 1 and 4 cranes. Where instructions provided by the OEM are in conflict with local safety instructions or safety procedures provided in this document, the operator shall refer such conflicts to his supervisor for resolution.

10.3.1 OEM's Supplemental Safety Information. OEMs, particularly of mobile cranes, often issue information more current and supplemental to that in the operation manual furnished with a particular crane. Much of the information (although sometimes addressed in service bulletins) pertains to the safe operation of the crane. Activities shall contact the OEM or authorized distributor for supplemental information applicable to their cranes, and, if practical, be added to the OEM's distribution list for such information.

10.4 Lifting Operations. Lifting operations shall be classified into two basic categories, complex lifts and non-complex lifts.

Note: Except as noted, lifts of ammunition and explosives (ordnance) are considered to be a category separate from these criteria for complex and non-complex lifts. Ordnance lifts have unique procedures and approved ordnance handling equipment that must be utilized. However, lifts of ordnance involving the use of tilt fixtures; lifts of ordnance onto/from ships/submarines where binding may occur (e.g., VLS/CLS operations, Harpoon systems); and lifts of ordnance as described in subparagraphs 10.4.1(d), (e), (f), and (h) shall be treated as complex lifts. For all ordnance lifts, follow NAVSEA OP-5 in addition to this manual. A pre-lift brief shall be conducted to ensure the roles and responsibilities of the crane team and the ordnance handling team are understood and fully coordinated (see paragraph 10.4.1.2). For ordnance lifts, the ordnance handling team leader has the overall responsibility for the safety of the lift.

10.4.1 Complex Lifts. These are lifts with a moderate to high level of risk involving:

- a. Hazardous materials, e.g., poisons, corrosives, and highly volatile substances. This does not include palletized unit loads of ordnance, nor materials such as oxygen, acetylene, propane, diesel fuel, or gasoline in cans, or tanks that are properly secured in racks or stands designed for lifting and transporting by crane.
- b. Large and complex geometric shapes.
- c. Lifts of personnel.
- d. Lifts exceeding 80 percent of the certified capacity of the crane's hoist (e.g., main hoist, whip hoist) planned for use (lifts exceeding 50 percent of the hoist capacity for a mobile crane mounted on a barge). For variable rated cranes, this shall be at the maximum anticipated radius planned for use. (Lifts of ordnance with category 3 cranes and all lifts with jib cranes, pillar jib cranes, fixed overhead hoists, and monorails are excluded. Lifts of test weights during maintenance or testing when directed by a qualified load test director are excluded.)
- e. Lifts of submerged or partially submerged objects. The following lifts are not considered complex:
  - (1) Removal of valves, rotors, pipes, etc., from dip tanks for cleaning or coating purposes.
  - (2) Lifting boats of known weight from the water if the boats are of open design with bilge compartments accessible for visual inspection; the boats have label plates indicating weights; and the boats have pre-determined lifting points established by the OEM or the activity engineering organization.



(3) Lifting submerged or partially submerged objects that meet the following criteria: the object is verified to not contain fluid in pockets and/or voids that is unaccounted for in the weight of the object; the object is verified or known to not be stuck by suction or adhesion by corrosion, marine growth, excessive surface tension, mud, etc.; and the object is verified to be clear of obstructions, such as other objects in the water, or underwater cables.

f. Multiple-crane or multiple-hook lifts on the same crane, except for bridge or gantry cranes with hooks mechanically/structurally coupled together or control systems electrically/electronically connected, and specifically designed for simultaneous lifting, such as jet engine test stand lifting cranes or synchronized antenna lifting cranes.

g. Lifts of unusually expensive or one-of-a-kind equipment or components.

h. Lifts of constrained or potentially constrained loads (binding condition), including suction caused by hydraulic conditions and loads that may be frozen to the ground. See paragraph 10.5.2.

i. Other lifts involving non-routine operations, difficult operations, sensitive equipment, or unusual safety risks.

10.4.1.1 Identification and Procedures. Activities shall identify complex lifts and prepare procedures (including rigging sketches where required) for conducting these lifts. Procedures may be standard written instructions or detailed procedures specific to a lift.

10.4.1.2 Supervisor or Working Leader Review and Oversight. A rigger supervisor, operator supervisor, or a rigging or crane operator working leader (classified as WL) shall review on-site conditions for complex lifts and shall perform a pre-job briefing before each complex lift to ensure all crane team personnel understand the required procedures for the lift. Any newly assigned personnel shall be briefed by the supervisor or working leader. For complex lifts described in paragraphs 10.4.1.d and 10.4.1.h, lead shop supervisors are equivalent to rigger supervisors or crane operator supervisors for reactor servicing procedure lifts performed in accordance with NAVSEA 0989-018-1000. For lifts of ordnance, this brief is in addition to the brief conducted by the ordnance handling team leader required by NAVSEA OP-5, unless specifically covered as part of the ordnance brief. A rigger supervisor, operator supervisor, or working leader shall personally supervise the following lifts:

a. Lifts exceeding 80 percent of the certified capacity of the crane's hoist used for the lift (see exceptions in paragraph 10.4.1.d).

b. Multiple-hook lifts when the weight of the object being lifted exceeds 80 percent of the certified capacity of any hoist used for the lift (see exception in paragraph 10.4.1.f).

c. Lifts of ordnance involving the use of tilt fixtures.

If the lifts are repetitive in nature, the supervisor or working leader shall be present during the first evolution of the lift with each rigging crew. Subsequent identical lifts by the same crew may be done under the guidance of the RIC.

10.4.2 Non-complex Lifts. These lifts have a lower level of risk and the requirements of paragraph 10.4.1 are not applicable.

10.5 Pre-lift Preparation. Before starting the engine, or energizing the crane, the operator shall verify that all controls are in the proper starting position, hoist, travel, and rotate controllers are in neutral, and all personnel are in the clear. Operators and riggers shall understand and comply with the load rating chart posted on the crane. The rigger giving the signals shall be identified and the type(s) of communication to be used shall be established. Before a load or empty hook or empty lifting gear is raised, lowered, or swung, clear and sufficient advance warning shall be given to employees in the vicinity of such operations.

10.5.1 Estimate of Load's Weight. To avoid overloading any equipment (e.g., hoist, rigging gear, container, material handling platform) used in a crane lift, the RIC and crane operator shall know or have a reasonable estimate of the weight to be lifted and, if applicable, the maximum radii at which the load will be picked and positioned. If the weight is estimated to exceed 50 percent of the capacity of the hoist (at the maximum anticipated radius if applicable) or 80 percent of the capacity of the rigging gear, platform/skid, below-the-hook lifting device, etc., the weight shall be verified by performing an engineering evaluation or using a local procedure approved by the certifying official or activity engineering organization. Alternatively, an LID shall be used.

10.5.2 Prevention of Overload, Binding Conditions, Loss of Load, and Use of LIDs. Where overloading, loss of load (slack line condition) of the crane or rigging, or damage to the load is possible due to binding conditions or pre-tensioning, a portable LID with a readout readily visible to the signal person, RIC, or designated LID monitor shall be used. When an LID is used, an appropriate stop point shall be established and the LID shall be carefully monitored to ensure the stop point is not exceeded. Chainfalls or other control means (e.g., procedures, micro-drives, load positioner/buffer) shall be used to avoid sudden overload of the crane or rigging gear. These lifts shall be treated as complex lifts.

Note: Electrically powered LIDs or other devices used in the vicinity of ammunitions and explosives shall meet the Hazards of Electromagnetic Radiation to Ordnance (HERO) requirements of NAVSEA OP 3565.

LIDs integral to crane systems may be utilized in lieu of portable LIDs provided the LID meets the requirements of NAVCRANECENINST 11450.2 for required design factors and hardness levels; is calibrated in accordance with LID OEM recommendations; and has a readout that is readily visible to the designated LID monitor (other than the crane operator).

For any LID, the accuracy for the estimated weight to be lifted shall be such that the tolerance is acceptable and will not negate the benefits of using an LID (e.g., a 30,000 pound capacity hoist with an LID calibrated to two percent of full scale accuracy has a tolerance of 600 pounds, which may not provide useful indication for loading in the lower range of crane capacity).

10.5.3 Mobile Crane Configuration. For mobile cranes, the following also applies. The operator shall know the boom and jib length and crane configuration (including reeving, line pull, and amount of rope available on the hoist), and thoroughly understand and comply with the crane's load rating charts and accompanying notes. When determining the safe maximum working radius for the load to be handled, the crane team shall consider whether the lift will be made over the side, front, or rear (or any combination), and whether operation will be on tires or outriggers/stabilizers. For lifts exceeding 50 percent of the crane's capacity at the maximum anticipated radius planned for use, verify by actual measurement or by operating the crane with an empty hook through the lift evolution and verifying the radii from the radius indicator. For lifts exceeding 80 percent, verify by actual measurement where possible (i.e., do not rely solely on the crane radius indicator). Ideally, the crane should be positioned equidistant between the pickup and set down points. This will limit the need for changing boom positions. Verify that the load to be lifted is within the crane's allowable loading (including appropriate deductions for hook, block, ancillary equipment, etc.) for all measured radii. Do not exceed these distances during the actual lift. If a load cannot be placed where originally intended, verify the radius (and allowable load) of the new set-down location prior to landing the load. Periodically, the operator shall compare known weights and measured radii against load and radius indicating devices on the crane to verify the accuracy of the devices. If accuracy is questionable, notify the supervisor.

10.5.4 Equipment Weights and Marking. Man lifts, aerial platform vehicles, forklifts, mobile cranes, and similar equipment that may be lifted by crane shall be weighed and stenciled with the weight in pounds. For activities located in foreign countries, additional marking of the weights in kilograms is acceptable. OEM marked weights are acceptable. Lifting points and/or lifting configurations shall be identified.

Sand hoppers, tubs, platforms, custom designed skids and pallets, and other large containers that may contain material shall be marked with empty and full weights. For containers utilized for trash or scrap, the safe working load may be marked, provided the container is open or accessible to allow the rigger to determine the type and weight of the material placed in the container. Full weights shall be established by the OEM or the activity engineering organization. If the container's weight is not marked, its weight shall be verified by the use of an LID. The LID, rigging gear, and crane shall be sized to pick up the maximum possible weight of the unmarked load. If a marked container cannot be physically verified as empty or the container is only marked with a full weight, the container shall be considered full or an LID shall be used. Pallets, boxes, and other storage containers shall be inspected for damage and structural integrity prior to loading or lifting.

10.6 Slack Line Conditions. If a slack line condition occurs on the crane, operation shall be stopped and the activity inspection organization shall be called to inspect the

crane for proper seating of the rope in the sheaves and on the drum before continuing operation. This does not apply to pile driving, dragline, clamshell, or similar operations where the design of the attachment precludes improper wire rope seating after a slack line condition.

10.7 Communications. Operators, riggers, and signal persons shall understand and use the standard hand signals shown in figures 10-1 and 10-2 for controlling crane operations. Additional signals (if required) shall be approved by operator and rigger supervisors and shall be included in operator and rigger training programs. Hand signals shall be posted in the crane cab in view of the operator. If pickup and lay down areas are not readily accessible by a single signal person, additional signal persons shall be assigned as necessary. Only one signal person shall communicate with the crane operator at a time (except for the stop and emergency stop signals which may be given at any time by any team member). A positive means of transferring signaling authority between signal persons shall be used. Direct voice and radio communications are also acceptable.

When making lifts where hand signals are not feasible, the signal person shall remain in continuous voice communication with the operator. If the communication ceases, the operator shall stop operation until communication is reestablished.

The device(s) used to transmit voice signals shall be tested on site before beginning operations to ensure that the signal transmission is effective, clear, and reliable. Signal transmission shall be through a dedicated channel, except multiple cranes and one or more signal persons may share a dedicated channel for the purpose of coordinating operations. The operator's reception of signals shall be by a hands-free system.

Voice directions given to the operator shall be given from the operator's directional perspective. Each voice signal shall contain the following elements, given in the following order: function (such as hoist, boom), direction; distance and/or speed; function, stop command. Operators, RICs, signal persons, riggers, and other personnel involved in WHE operations shall be able to effectively communicate in the language used at the activity. At Navy activities in foreign countries, the activity shall have a plan in place when voice communication is used and the operator, RIC, signal person, riggers, and other personnel involved in WHE operations cannot effectively communicate in the same language.

10.7.1 Additional Communication Requirements for Multiple-Crane Lifts. Where a signal person is in communication with more than one crane, a system shall be used for identifying the crane each signal is for as follows: for each signal, prior to giving the function/direction, the signal person shall identify the crane the signal is for or shall use an equally effective method of identifying which crane the signal is for. The identified crane shall call back its identification and repeat the function/direction before operating.

Note: The operator shall stop the crane at any time and in any situation judged to be unsafe. In addition, the operator shall immediately respond to a direction from any person to stop his/her crane. Any person who becomes aware of a safety issue with a WHE operation shall give a stop signal to the operator.

10.8 General Operating Precautions. In all operations, the crane operator shall remain alert because the person directing the operation may not see all hazards. The operator shall remain alert to obstructions, people, and the behavior and feel of the machine. Never allow unauthorized personnel in, on, or around the machine when in operation. Dress appropriately, wearing prescribed safety gear. Do not expose any parts of the body to moving machinery.

The operator shall immediately activate the emergency stop or power off function (if the crane is so equipped) if he or she senses loss of control of the load.

The operator shall remain at the controls at all times while a load is suspended from the crane. This does not include slings and other gear used to rig the load and does not include a load attached to the crane with slack in the rigging gear. This also does not apply to under-running bridge cranes, jib cranes, pillar cranes, pillar jib cranes, monorails, and fixed overhead hoists used in industrial processes that require a suspended load, such as cleaning, degreasing, painting, testing, and similar processes. For such cases, the suspended load shall be less than 80 percent of the crane's rated capacity, the area shall be secured to prevent unauthorized personnel from entering, the crane shall be tagged to indicate this condition, and the load shall not be suspended longer than required. Activities shall assess all potential hazards prior to leaving rigging gear on an unattended crane, such as exposure to personnel, weather conditions, proximity of the crane or gear to obstructions, and potential for collisions. Additionally, any gear left on the crane shall not prevent the performance of the operator's pre-use check when required. See also exception for operator turnover in paragraph 10.19.

Loads shall not be suspended or moved over personnel. When it is necessary, personnel may reach under suspended loads for a short duration to install/remove coverings, make attachments, position supports, etc., provided the load is not suspended over the employee's head and the only body parts under the load are the arms. Any reaching under the load shall be approved by the RIC. The load shall not be in motion while the employee is reaching under the load. Activities shall minimize the occurrence of reaching under suspended loads. Lifts of multiple objects that are one under the other with each object rigged from the previous object shall not be performed. Except for personnel engaged in rigging or unrigging the load or engaged in attaching or removing the load to/from a structure or another component, personnel shall be kept clear of the fall zone (i.e., the area in which it is reasonably foreseeable that partially or completely suspended materials could fall in the event of an accident). Only personnel needed to receive a load are permitted to be within the fall zone when a load is being landed. During a tilt-up or tilt-down operation, only personnel essential to the operation are permitted in the fall zone (but not directly under the load). A person is essential to the operation if the person is conducting one of the following operations and the supervisor can demonstrate it is infeasible for the person to perform that operation from outside the fall zone: physically guide the load; closely monitor and give instructions regarding the load's movement; or either detach it from or initially attach it to another component or structure (such as, but not limited to, making an initial connection or installing bracing).

Initiate and maintain all crane movements slowly and smoothly, watching boom movement to prevent boom "kick back". Eliminate rapid acceleration and braking.

These actions put dangerous impact loads on the crane and its components. Speed may be hazardous and it reduces the chance to take corrective action. With a loaded wire rope suspended boom or jib close to boom stops, never rapidly relieve the boom of load. Wire ropes stretch when loaded and spring back when load is suddenly removed. This can cause boom to kick back into boom stops and damage the boom. In this situation, both the boom hoist and the hook hoist shall be used in setting down the load. Use power lowering whenever possible.

Hooks used on cranes and hoists shall have self-closing latches or the throat opening shall be "moused" (secured with wire, rope, heavy tape, etc.) or otherwise secured to prevent the attached item from coming free of the hook under a slack condition. The following exceptions apply and shall be approved by the activity engineering organization: items where the hook throat is fully obstructed and not available for manual securing and lifts where securing the hook throat increases the danger to personnel, such as forge shop or dip tank work.

The hoist rope, chain, or block shall not be twisted when preparing to lift a load, and the load shall be attached to the load hook/block by approved rigging equipment. The rope or chain shall not be wrapped around the load. Personnel shall never be permitted to ride the hook or block. When initiating travel movements and when the load or crane is approaching personnel, the warning horn/signal, if so equipped, shall be sounded.

When a mobile crane is equipped with a horizontal winch, the winch shall not be operated without the knowledge of the operator, and the operator shall be within convenient reach of the controls when it is being utilized.

**10.8.1 Work Area Control.** To prevent employees from entering an area where an employee could be struck, pinched, or crushed by the crane's rotating superstructure, the crane team shall erect and maintain control lines, warning lines, railings or similar barriers to mark the boundaries of the hazard areas. Before an employee goes to a location in the hazard area that is out of view of the operator, the employee shall ensure that the operator is informed that he/she is going to that location. Where the operator knows that an employee entered a hazardous location, the operator shall not rotate the superstructure until the operator is informed in accordance with a prearranged system of communication that the employee is in a safe position. Where any part of a crane is within the working radius of another crane, the activity shall institute a system to coordinate operations. Personnel shall never place any part of their body in a potential pinch point unless protective measures are provided.

**10.8.2 Electromagnetic Interference Susceptibility.** Electronic equipment on cranes, including control systems and LIDs, may be susceptible to electromagnetic interference (EMI), especially when operating near ships' radar or other radio transmitting sources. Activities shall be aware of the EMI environment in the vicinity of crane operations and assess the impact of such environment on potentially susceptible equipment.

**10.8.3 Additional Requirements for Assembly/Disassembly (including re-reeving) of Cranes.** When assembling or disassembling equipment or attachments, including removable counterweights, for a construction operation, a supervisor or RIC shall direct the operation. For a non-construction operation, the requirements of this subparagraph

apply, but an operator or rigger may be substituted for the supervisor or RIC.

The supervisor or RIC shall review the applicable procedures immediately prior to the commencement of assembly/disassembly. The supervisor or RIC shall ensure the crew members (including new crew members and crew members reassigned to different tasks) understand their tasks, the hazards associated with their tasks, and the hazardous positions/locations they need to avoid.

Before a crew member goes to a location that is out of view of the operator and is either in, on, or under the crane, or near the crane (or load) where the crew member could be injured by movement of the crane (or load), the crew member shall inform the operator that he/she is going to that location. Where the operator knows that a crew member went to a location noted above, the operator shall not move any part of the crane (or load) until the operator is informed in accordance with a prearranged system of communication that the crew member is in a safe position.

When pins (or similar devices) are being removed, employees shall not be under the boom, jib, or other components, except where site constraints require one or more employees to be under the boom, jib, or other components when pins (or similar devices) are being removed. In such cases, the supervisor or RIC shall implement procedures that minimize the risk of unintended dangerous movement and minimize the duration and extent of exposure under the boom.

During all phases of assembly/disassembly, all OEM requirements pertaining to assembly/disassembly and any additional AEPs shall be followed. If OEM procedures are not available, the assembly/disassembly procedures shall be reviewed by the Navy Crane Center, Code 03. The rated capacity of the crane, equipment components (including rigging), lifting lugs, and equipment accessories shall not be exceeded.

10.8.3.1 Potential Hazards. The supervisor or RIC shall address the following potential hazards associated with the operation, including:

- a. Site and ground conditions shall be adequate for safe assembly/disassembly operations and to support the equipment during assembly/disassembly.
- b. When used to support lattice booms or components, blocking shall be appropriately placed to protect the structural integrity of the equipment and prevent dangerous movement and collapse.
- c. The size, amount, condition and method of stacking the blocking shall be sufficient to sustain the loads and maintain stability.
- d. When using an assist crane, the loads that will be imposed on the assist crane at each phase of assembly/disassembly shall be verified before assembly/disassembly begins.

e. The point(s) of attachment of rigging to a boom (or boom sections or jib or jib sections) shall be suitable for preventing structural damage and facilitating safe handling of these components.

f. The center of gravity of the load shall be identified if that is necessary for the method used for maintaining stability. Where there is insufficient information to accurately identify the center of gravity, measures designed to prevent unintended dangerous movement resulting from an inaccurate identification of the center of gravity shall be used.

g. The boom sections, boom suspension systems (such as gantry A-frames and jib struts), and components shall be rigged or supported to maintain stability upon the removal of the pins.

h. Suspension ropes and pendants shall not be allowed to catch on the boom or jib connection pins, cotter pins, keepers, or locking pins.

i. The potential for unintended movement from inadequately supported counterweights and from hoisting counterweights shall be accounted for.

j. Each time reliance is to be placed on the boom hoist brake to prevent boom movement during assembly/disassembly, the brake shall be tested prior to such reliance to determine if it is sufficient to prevent boom movement. If it is not sufficient, a boom hoist pawl, other locking device/back-up braking device, or another method of preventing dangerous movement of the boom (such as blocking or using an assist crane) from a boom hoist brake failure shall be used.

k. Backward stability shall be addressed before swinging the upper works, travel, and when attaching or removing equipment components.

l. The effect of wind speed and weather on the operation shall be accounted for.

m. OEM limitations on the maximum amount of boom supported only by cantilevering shall not be exceeded. Where these are unavailable, contact the Navy Crane Center.

n. The weight of each component shall be readily available.

10.8.3.2 Outrigger/Stabilizer Requirements. When outriggers/stabilizers are used, the following requirements shall be met:

a. The outriggers/stabilizers shall be fully extended.

b. When outrigger/stabilizer floats are used, they shall be attached to the outriggers/stabilizer.



c. Each outrigger/stabilizer shall be visible to the operator or to a signal person during extension and setting.

d. Outrigger/stabilizer blocking shall meet the requirements noted in paragraphs 10.8.3.1.b and 10.8.3.1.c, and shall be placed only under the outrigger/stabilizer float/pad of the jack or, where the outrigger/stabilizer is designed without a jack, under the outer bearing surface of the extended outrigger/stabilizer beam.

10.8.3.3 Post-Assembly Inspection Requirements. Upon completion of the assembly, the equipment shall be inspected. Reusable shipping pins, links, straps, and similar equipment shall be removed and stowed or otherwise stored so that they do not present a falling object hazard.

10.8.3.4 Special Requirements for Lattice Boom Assembly/Disassembly. When dismantling boom sections, none of the pins in the pendants shall be removed (partly or completely) when the pendants are in tension. None of the pins (top or bottom) on boom sections located between the pendant attachment points and the crane body shall be removed (partly or completely) when the pendants are in tension. None of the pins (top or bottom) on boom sections located between the uppermost boom section and the crane body shall be removed (partly or completely) while the boom is being supported by the uppermost boom section resting on the ground (or other support). None of the top pins on boom sections located on the cantilevered portion of the boom being removed (the portion being removed ahead of the pendant attachment points) shall be removed (partly or completely) until the cantilevered section to be removed is fully supported.

10.8.3.5 Assembly/Disassembly Near Overhead Power Lines. During assembly/disassembly operations, the crane, attachments, load lines, and other equipment shall be positioned so that no part of the crane, attachments, load lines or other equipment could get closer than 20 feet (for power line voltages of 350kV or less) or 50 feet (for power line voltages over 350 kV) to an energized power line; for power lines over 1000kV this distance shall be established by the utility owner/operator or registered professional engineer who is a qualified person with respect to electrical power transmission and distribution. No assembly/disassembly is allowed below an energized power line at any distance. Assembly/disassembly is allowed inside the above distances or below a power line only when the activity has confirmed that the utility owner has de-energized the power line and the line has been visibly grounded at the worksite.

10.8.4 Welding on Loads Attached to the Crane. When welding is performed on a load that is still attached to a crane, precautions shall be taken to ensure the welding current does not pass through components that could be damaged, such as antifriction bearings, wire rope, chain, or electronic components (e.g., ensure the welding ground is close to the work, the welding machine is operating properly, an insulated link or non-conductive rigging is inserted between the load and the crane).

10.9 Lifting of Personnel. The lifting of personnel by crane shall only be accomplished when no safer method is available (lifting of personnel is not allowed during cargo transfer operations). Personnel shall not ride the hook or load. These requirements do not apply to rescue of personnel in emergency situations using fire department or other authorized emergency responder rescue equipment. When lifting personnel, the following requirements apply:

a. This is a complex lift as defined in paragraph 10.4.1. Each activity shall have written procedures that conform to these requirements. The activity safety office shall approve these procedures.

b. Cranes, rigging gear, and personnel platforms shall conform to 29 CFR 1926.1431 and ASME B30.23 for the personnel platform.

c. A personal fall arrest system (PFAS) meeting the requirements of OPNAVINST 5100.23 shall be worn and attached to a structural member within the personnel platform capable of supporting the impact from a fall, as determined by the platform OEM or fall protection competent person. Attachment of the PFAS to the load block is not permitted. PFAS components shall meet the requirements of ANSI Z359. When working over or near water where the danger of drowning exists, employees shall be provided with U.S. Coast Guard-approved life jacket or buoyant work vests. Prior to and after each use, the buoyant work vests or life jackets shall be inspected for defects that would alter their strength or buoyancy. Defective units shall not be used. Ring buoys with at least 90 feet of line shall be provided and readily available for emergency rescue operations. The distance between ring buoys shall not exceed 200 horizontal feet. At least one lifesaving skiff shall be immediately available at locations where employees are working over or adjacent to water during construction operations.

d. Navy fall protection requirements shall be followed and are addressed in OPNAVINST 5100.23.

10.9.1 Personnel Platform Loading. The personnel platform shall not be loaded in excess of its rated load capacity (except during the proof test/trial lift). The number of persons occupying the personnel platform shall not exceed the number required for the work being performed. Personnel platforms shall be used only for personnel, their tools, and the materials necessary to do their work and shall not be used to hoist materials or tools when not hoisting personnel. Materials and tools for use during a personnel lift shall be secured to prevent displacement and shall be evenly distributed within the confines of the platform while the platform is suspended.

10.9.2 Operation. Hoisting of the personnel platform shall be performed in a slow, controlled, cautious manner with no sudden movements of the crane. Operation shall be accomplished using one crane function at a time. Load and boom hoist drum brakes, swing brakes, and locking devices, such as pawls or dogs shall be engaged when the occupied personnel platform is in a stationary position. The crane shall be uniformly level within one percent of level grade and located on firm footing. Cranes equipped with outriggers/stabilizers shall have them all fully extended and locked (if

locks are provided by the crane OEM) when hoisting personnel. The total weight of the loaded personnel platform and related rigging shall not exceed 50 percent of the rated capacity for the radius and configuration of the crane. Lift and lowering speeds shall not exceed 100 feet per minute.

10.9.2.1 Trial Lift. A trial lift with the unoccupied personnel platform loaded at least to the anticipated weight to be lifted shall be made from ground level, or any other location where personnel will enter the platform to each location at which the personnel platform is to be hoisted and positioned. This trial lift shall be performed immediately prior to placing personnel on the platform. The operator shall determine that all systems, controls and safety devices are activated and functioning properly; that no interference exists; and that all configurations necessary to reach those work locations will allow the operator to remain under the 50 percent limit of the hoist's rated capacity. Where there is more than one location to be reached from a single set up position, either individual trial lifts for each location, or a single trial lift, in which the platform is moved sequentially to each location, shall be performed. The method selected shall be the same method that will be used to hoist the personnel. For mobile cranes, the trial lift shall be repeated prior to hoisting personnel whenever the crane is moved and set up in a new location or returned to a previously used location. Additionally, the trial lift shall be repeated when the lift route is changed, unless the operator determines that the route change is not significant (i.e., the route change would not affect the safety of hoisted personnel). After the trial lift, and just prior to hoisting personnel, the platform shall be hoisted a few inches and inspected to ensure that it is secure and properly balanced. Personnel shall not be hoisted unless the following conditions exist: Hoist ropes shall be free of kinks, multiple part lines shall not be twisted around each other, the primary attachment shall be centered over the platform, and the hoisting system shall be inspected if the load rope is slack to ensure all ropes are properly seated on drums and in sheaves.

A visual inspection of the crane, rigging, personnel platform, and the crane base support or ground shall be conducted immediately after the trial lift to determine whether the testing has exposed any defect or produced any adverse effect upon any component or structure. The hoist rope shall be checked in accordance with section 9. Defects found during inspections that create a safety hazard, shall be corrected before hoisting personnel. Upon completion of the trial lift process, verify the test weight has been removed.

Note: For portal and floating cranes used in shipbuilding, ship repair, or ship breaking, a trial lift is not required if it is determined by the rigger and crane operator supervisors that due to the location and nature of the work assignment the conditions do not exist that warrant a trial lift (e.g., identical lifts made on several consecutive days, with the same operator and other personnel, returning to work after lunch with the same personnel, from the deck of a floating crane on the same day). Trial lifts will be required whenever the crane team deems it necessary to do so for the safety of personnel during the lift.

10.9.2.2 Proof Test. At each job site (e.g., drydock, wharf, pier, building, deck of floating crane, etc.), prior to hoisting employees, the platform and rigging shall be proof tested to 125 percent of the platform's rated load. For the proof test, the platform shall be lowered by controlled load lowering, stopped, and held in position for a minimum of five minutes with the test load evenly distributed on the platform (this may be done

concurrently with the trial lift). Any deficiencies found that create a safety hazard shall be corrected and another proof test shall be conducted. When a personnel platform is moved to a new job site, a proof test is required. Only a trial lift is required when the platform is moved to a new location within a job site where the platform has already been proof tested, provided that no visual damage has occurred during transportation. Upon completion of the proof test process, verify the test weight has been removed. A proof test of the personnel platform shall be conducted after any repair or alteration. This paragraph is not applicable to shipbuilding, ship repair, or ship breaking.

10.9.2.3 Lift Safety. A meeting attended by the crane team, personnel to be lifted, and the person responsible for the task to be performed shall be held to review the appropriate procedures to be followed. This meeting shall be conducted prior to the trial lift at each new work location, and shall be repeated for any personnel newly assigned to the operation.

Before personnel exit or enter a hoisted platform that is not landed, the platform shall be secured to the structure where the work is to be performed, unless securing to the structure creates an unsafe situation. Personnel shall keep all parts of the body inside the platform during raising, lowering, and positioning. This provision does not apply to an occupant of the platform performing the duties of a signal person. Taglines shall be used unless their use creates an unsafe condition. The crane operator shall remain at the controls at all times while the platform is occupied. Hoisting of personnel shall be promptly discontinued upon indication of any dangerous weather conditions or other impending danger. Personnel being hoisted shall remain in continuous sight of and in direct communication with the operator or signal person. In those situations where direct visual contact with the operator is not possible, and the use of a signal person would create a greater hazard for the person, direct communication alone, such as by radio, may be used. No lifts shall be made on another of the crane's load lines while personnel are suspended on a platform. Traveling the crane while personnel are hoisted is prohibited, except for portal and bridge cranes (portal cranes may travel with the boom in any position with respect to the direction of travel, parallel, perpendicular, etc.). A complete trial run shall be performed to test the route of travel before personnel are allowed to occupy the platform. This trial run can be performed at the same time as the trial lift.

When wind speeds (sustained or gusts) exceed 20 miles per hour at the intended height of the personnel platform, the supervisor shall determine if, in light of the wind conditions, it is safe to perform, or continue with, the lift. If it is not, the lifting operation shall not begin (if already in progress, the lift shall be terminated). For other weather and environmental conditions, the supervisor shall determine if, in light of existing or impending hazardous conditions, it is safe to perform, or continue with, the lift. If it is not, the lifting operation shall not begin (if already in progress, the lift shall be terminated).

During the lift, occupants shall not sit or stand on, or work from, the top or intermediate rail or toe board, or use any other means/device to raise their work height. Occupants shall not pull the platform out of plumb in relation to the hoisting equipment. If the platform is secured to a structure, the operator shall not move the platform until the

operator receives confirmation that the platform is freely suspended. Personnel shall not be lifted where any part of the crane, rigging gear, or personnel platform can come within 20 feet of an energized overhead power line up to 350 kV or within 50 feet of an overhead power line over 350 kV.

10.10 Adverse Operating Conditions. When an operator observes an adverse operating condition, he/she shall suspend operations and notify the supervisor for resolution. An adverse operating condition may result from climatic conditions (snow, ice, wind, rain, lightning, etc.); inadequate support conditions (loose soil, outrigger/stabilizer bearing on manhole, etc.); congestion or obstructions; improper or inadequate rigging procedures; or any other situation that the operator feels could result in uncontrolled movement or otherwise render the operation unsafe. Activities shall develop instructions for modifying or suspending operations in adverse weather conditions, including high winds. These instructions shall be posted in the operator's cab. Specified wind speeds for reducing allowable loads and for curtailing operations shall be based on control of the load and OEM recommendations for stability of the equipment during high winds. Activities shall have adequate means for monitoring local weather conditions.

10.10.1 Securing of WHE for Adverse Weather Conditions. When severe adverse weather conditions (snow, ice, wind, rain, lightning, etc.) have the potential to develop, actions shall be taken to preclude damage to WHE or other property. Activities shall develop instructions for securing WHE in adverse weather conditions. Securing of equipment shall be based on OEM recommendations and local technical instructions. For each outdoor crane, activities shall determine the wind forces that will cause the crane to move with the brakes set, and ensure the crane is adequately secured against movement from anticipated wind forces. Activities should also develop instructions for securing indoor cranes in buildings that have large openings that may be subject to outside wind forces, including when large doors are open such as aircraft hangars. Materials required to secure WHE should be identified and readily available.

10.11 Ground Conditions, Crane Levelness, Positioning the Crane for Stability, and Outrigger/Stabilizer Setup. Cranes shall not be operated or assembled/disassembled unless ground conditions are firm, drained, and graded to a sufficient extent so that, in conjunction with the use of supporting materials (if necessary), the OEM's specifications for adequate support and degree of level of the crane are met. The activity shall ensure the operator is aware of the location of known hazards in the vicinity of the crane set-up area, such as voids, tanks, and utilities. If the operator determines that ground conditions are unsatisfactory or questionable, work shall not proceed and the activity engineering organization shall be notified for evaluation. Mobile crane operators are responsible for positioning their machines and outriggers/stabilizers on foundations or supports that are capable of safely supporting the crane, and for complying with any machine capacity down rating due to limits of the foundation or support. The activity's facilities engineering organization or servicing public works department is responsible for identifying limitations and restrictions for operating mobile cranes on piers, wharves, or other structures.

When the crane is so equipped, the operator shall set the outriggers/stabilizers, unless there is specific authorization to operate on rubber. Such authorization shall be posted

in the cab with special down rating instructions or load charts. (See section 6.) Ensure compliance with all on rubber lifting requirements of the OEM. Whenever practical and as permitted by the OEM, when lifting on-rubber, extend outriggers/stabilizers and maintain minimal clearance (3 to 4 inches) above ground as recommended by the OEM. When lifting on outriggers/stabilizers, the operator shall ensure the outriggers/stabilizers are properly extended, set in accordance with the OEM's requirements and recommendations, and the crane is leveled in accordance with the OEM's requirements. Improper deployment may lead to inaccurate or inconsistent crane levelness readings. Outrigger/stabilizer floats shall be securely attached to the outriggers. The operator shall check the outrigger/stabilizer pads to ensure they have satisfactory ground bearing. Any blocking used to support outrigger/stabilizers shall be strong enough to prevent crushing, be of sufficient width and length to prevent shifting or toppling under load, and shall be inspected before use to ensure it is free from defects. The weight of the load to be lifted and the operating radius shall be accurately determined and shall not exceed those safe capacities posted on the rating chart. See paragraph 10.5 for verifying the radii of the lift. Use of the load chart is required. Do not lift in front quadrants (over the carrier cab) between the front two outriggers unless the OEM's instruction manual or load chart authorizes such lifts. When lifting a capacity load at maximum allowable radius, ensure the load does not swing out of allowable radius.

10.12 Proper Clearance. The crane shall be so positioned at the job site as to provide adequate clearance from all obstructions to any part of the crane in any position that it will operate. Particular attention to counterweight clearance is required. Accessible areas within the swing radius of the rotating superstructure of a crane shall be barricaded to prevent personnel from being struck or crushed by the crane.

If the track area of a ground-level rail mounted crane is used for employee passage or for work, a minimum clearance of three feet shall be provided between trucks or the structures of the crane and any other structure or obstruction. When the required clearance is not available on at least one side of the crane's trucks, the area shall not be used for employee passage and shall be marked and identified. Where passageways or walkways are provided on the structure supporting the crane, obstructions shall not be placed so that personnel will be jeopardized by movements of the crane. Pay particular attention to portal and gantry cranes traversing near personnel travel paths, e.g., ship's brows.

10.13 Overhead Electrical Power Lines. When operating in the vicinity of overhead power lines, operators and riggers shall be alert to this special hazard. If any part of the crane (including the fully extended boom of a telescoping boom crane) or load could approach the distances noted in figure 10-3 during a proposed operation, subparagraphs 10.13.1 through 10.13.6 shall be followed. For long span lines, lateral movement due to wind shall be considered in assessing whether the minimum clearance should be increased. The preferred alternative is to have the power line de-energized and visibly grounded. These rules shall be followed even when the crane is equipped with insulators or sensors for detecting high voltage. This paragraph does not apply to insulated shore power cables.

10.13.1 Work Zone. Where the voltage is known to be less than 350kV, the minimum

required clearance shall be 20 feet. Where the voltage is known to be greater than 350 kV, the minimum clearance shall be 50 feet.

The work zone shall be defined by either:

- a. Demarcating boundaries (such as with flags or a device such as a range limit device or range control warning device) and prohibiting the operator from operating the crane past those boundaries.
- b. Defining the work zone as the area 360 degrees around the crane up to its maximum working radius.

10.13.2 Dedicated Spotter. Where the overhead power line is not de-energized, the supervisor shall conduct a planning meeting with the operator and the other workers who will be in the area of the equipment or load to review the location of the power line(s), and the steps that will be implemented to prevent encroachment/electrocution. The RIC shall erect and maintain an elevated warning line, barricade, or line of signs, in view of the operator, equipped with flags or similar high-visibility markings, at the line of required clearance. The dedicated spotter shall meet the training and competency requirements of a signal person, see appendix N. The dedicated spotter shall:

- a. Be equipped with a visual aid to assist in identifying the minimum clearance distance. Examples of a visual aid include, but are not limited to: A clearly visible line painted on the ground; a clearly visible line of stanchions; a set of clearly visible line-of-sight landmarks (such as a fence post behind the dedicated spotter and a building corner ahead of the dedicated spotter).
- b. Be positioned to effectively gauge the clearance distance.
- c. Where necessary, use equipment that enables the dedicated spotter to communicate directly with the operator.
- d. Give timely information to the operator so that the required clearance distance can be maintained.

10.13.3 Additional Measures. If the operator is unable to see the elevated warning line, one of the following additional measures shall be used:

- a. A proximity alarm (as defined in 29 CFR 1926.1401) set to give the operator sufficient warning to prevent encroachment.
- b. A device that automatically warns the operator when to stop movement, such as a range control warning device. Such a device shall be set to give the operator sufficient warning to prevent encroachment.
- c. A device that automatically limits range of movement, set to prevent encroachment.

d. An insulated link (as defined in 29 CFR 1926.1401) installed at a point between the end of the load line (or below) and the load.

e. No one shall be permitted to touch the crane or the load unless the dedicated spotter indicates it is safe to do so. Personnel permitted to touch the crane shall use protective equipment rated for the voltage.

f. Taglines for load control, when required, shall be of a non-conductive type.

10.13.4 Operation Below a Power Line. No part of the crane, load line, or load is permitted to operate below a power line unless the activity has confirmed that the utility has de-energized and visibly grounded the power line, except for the following:

a. For cranes with non-extensible booms, the uppermost part of the crane with the boom at maximum boom angle would be more than 20 feet below the plane of the power line.

b. For articulating and telescoping boom cranes, the uppermost part of the crane, with the boom in the fully extended position at maximum boom angle, would be more than 20 feet below the plane of the power line.

For voltages greater than 350kV, where “20 feet” is mentioned in 10.13.4.a and 10.13.4.b, the distance “50 feet” shall be substituted.

10.13.5 Operations Near Communications Towers. When working near transmitter/communications towers where the crane is close enough for an electrical charge to be induced in the materials to be handled, the transmitter shall be de-energized or the crane shall be provided with an electrical ground. Taglines shall be non-conductive.

10.13.6 Traveling or Transiting Below a Power Line. Where traveling an unloaded crane beneath an energized power line in accordance with figure 10-3, if any part of the crane will get closer than 20 feet to the power line, a dedicated spotter who is in continuous contact with the operator shall:

a. Be positioned to effectively gauge the clearance distance.

b. Where necessary, use equipment that enables the dedicated spotter to communicate directly with the operator.

c. Give timely information to the operator so that the required clearance distance can be maintained.

Note: Where traveling a loaded crane beneath an energized power line, follow the requirements of paragraph 10.13 (including subparagraphs 10.13.1 through 10.13.4).



The effects of speed and terrain on equipment movement (including movement of the boom/mast) shall be considered so that those effects do not cause any part of the crane to be closer than the minimum distances to the power line.

When traveling at night or in conditions of poor visibility, in addition to the above, the power lines shall be identifiable by illumination or other means to identify them and a safe travel path shall be identified and used.

Where transiting a crane beneath a power line a spotter is not required provided the clearance requirements of figure 10-3 are met.

**10.14 Positioning the Boom.** Disengage boom hoist pawl (boom dog) if equipped. Ensure there is no side loading on the boom or swinging of the load on lift-off. Never side-load the boom by dragging loads. Use the shortest boom radius practical for maximum stability and capacity. Engage the boom hoist pawl when operation of the boom hoist is not required during a lift evolution. Use caution when lowering the boom and the load line at the same time with a load suspended. This may cause the load to swing out of control or out of stable radius.

**10.15 Hoisting and Lowering the Load.** For crane hook work, loads shall be lifted vertically only. Side-loads shall not be applied to the hook. Check the load chart for safe load and radius. Upon initial hoisting of the load, the signal person shall signal the operator to stop hoisting when the load becomes completely suspended to ensure the load is properly balanced and the brake is functioning properly. Operators and signal persons shall follow this procedure each time they hoist a load. If the load is not centered correctly or the brakes are not functioning correctly, the operator shall set the load down and cease operations until the deficiency is corrected. If correct, proceed to the height directed by the rigger and await the signal for the next motion. Cranes shall never be used to drag the load. When lowering the load or empty hook, always maintain at least two wraps of wire rope on grooved drums and three wraps on ungrooved drums. Special precautions shall be taken when lifting loads out of water. When the load comes out of water, buoyancy is lost and load increases. Also, just as the load leaves the water, the suction can increase the load momentarily. For loads with padeyes attached, loading shall be in the plane of the padeye, unless the activity engineering organization provides guidance for any out of plane loading.

**Note:** On certain types of mobile boat hoists the hoist drums use a continuous length of wire rope between two hoists. The wire rope shall be equalized (equal amounts of wire rope on each drum) before a lift is made. Follow OEM procedures for equalizing hoist drums (if applicable).

**10.16 Rotating the Load.** Disengage the swing lock. After hoisting to the height directed by the signal person and upon receiving the signal to rotate, the operator shall begin the rotate very slowly. If the swing brake is found not to be functioning correctly, the operator shall notify the RIC who shall direct the operator to land the load at a safe location. If necessary to rotate to a safe location, rotation shall be slow and carefully controlled. After landing the load, secure the crane until the swing brake deficiency is corrected.

10.17 Traveling the Crane. Supervisors shall ensure operators and crane walkers are aware of crane rail travel restrictions for the crane(s) to which they are assigned. Traveling a crane with a suspended load is a hazardous operation. When traveling, always have the boom in the position providing adequate stability in case the load should swing out of radius.

For mobile cranes, the following also apply. Only when permitted by the OEM shall a mobile crane be permitted to travel with a suspended load. Whenever possible, travel with the boom and load over the rear and parallel with the axis of the crane carrier and with the direction of travel either forward or reverse, with the swing lock/brake engaged. Also, whenever practical and as permitted by the OEM, extend the outriggers and maintain minimal clearance (3 to 4 inches) above the ground. Do not travel truck, rough-terrain, or all-terrain cranes with the load over the side unless specifically permitted by the OEM and authorized by the certifying official. Exceptions and authorizations, with special load limiting and other instructions, shall be posted in the crane. (See paragraph 6.6 and 6.8) When traveling, keep loads close to the ground. Avoid sudden starts and stops. Always travel at the slowest possible speed. Avoid raising the boom to the maximum boom angle in order to prevent it from engaging the backstops or bouncing into the cab (loaded or unloaded). When traveling with the boom over the side, the travel motion shall be started slowly and smoothly to prevent excessive side loading of the boom. Be sure the ground over which the crane shall travel can support the machine.

10.18 Load Control. Sufficient taglines shall be used to minimize load swing and rotation, unless their use creates a hazard. Properly sized and inspected chainfalls, turnbuckles, or similar equipment may be used to aid in load control where clearances are limited or where precise load control is required.

10.19 Operator Turnover With a Suspended Load. When operations require an operator turnover with the load suspended, the following requirements shall be met: control power shall be secured to prevent inadvertent operation of controls during physical turnover of operators; the supervisor shall perform another briefing in accordance with paragraph 10.4.1.2 if required; and the new operator shall perform a pre-use check or review the ODCL in accordance with paragraph 9.1. Operator turnover is not permitted with a suspended occupied personnel platform.

10.20 Securing/Transiting the Crane. The procedure for shutdown will vary with different cranes. Consult the OEM's instruction manual or the activity engineering organization. For building cranes, ensure that crane power is turned off and the lower block is not an obstruction. Do not store the hook block in the upper limit unless allowed by the OEM or activity instruction. Additionally, provide sufficient clearance below the upper sheave assembly or trolley/hoist frame so that the subsequent operator performing a pre-use check will be able to stop the hoist motion before a two-block event occurs in case the hoist does not operate in the correct direction upon initiation. For cranes with a boom, engage the boom pawl or lower the boom to the boom stand.

For mobile cranes, set the crane carrier brake and chock wheels if the crane is on an incline. Disengage clutches if applicable. Store hydraulic cylinders fully retracted to the maximum extent practical to protect against corrosion. Follow all OEM directions for transiting the crane. When transiting a truck, rough-terrain, all-terrain, or crawler crane to and from job sites, secure the hook and block to the carrier frame to prevent them from swinging into the boom. When securing the hook block, raise it just enough to take up the slack. Do not over tighten. A weak link connection shall be used to secure the hook block to the crane. The breaking strength of the connecting piece shall be less than the rated load of the hook block's wire rope as reeved. When securing the hook blocks for road travel, add a backup (stronger) tie-back to prevent free swinging in the event of weak link failure. Ensure there are adequate clearances. Unless otherwise allowed by the OEM, the boom shall be carried in line with the direction of transit. Additionally, the superstructure shall be secured against rotation, except when negotiating turns, when there is an operator in the cab, or when the boom is supported on a dolly. After securing the crane, complete the ODCL and turn it in to the supervisor.

10.21 Special Requirements for Operation of Multi-Purpose Machines, MHE, and Construction Equipment When Configured as Cranes to Lift Loads Suspended by Rigging Equipment. When using a multi-purpose machine configured as a crane for lifting suspended loads, activities shall ensure the machine is authorized by the OEM to make suspended load lifts. Ensure the equipment is equipped with a capacity chart. Operators shall be licensed in accordance with NAVSUP P-538 for MHE or NAVFAC P-300 for construction equipment and other machines (pole and line trucks, aerial lifts, etc.), and shall be trained to make such lifts. Suspended load lifts with multi-purpose machines shall be treated as complex lifts if the loads meet the criteria of paragraph 10.4.1. Lifts of personnel in a suspended platform with these machines is prohibited.

When using MHE and construction equipment to lift suspended loads, ensure the equipment OEM permits such lifts to be made that the equipment is properly configured to make such lifts, and that such lifts are made in accordance with OEM requirements. Lift capacity shall be posted on the equipment. Written approval from a qualified registered professional engineer, after a safety analysis is performed, is allowed in lieu of the OEM's approval.

NOTE: MHE utilizing attachments covered by and used in accordance with NAVSEA SW023-AH-WHM-010 have been pre-approved for use with all MHE. These attachments are exempt from the OEM authorization requirement above.

# STANDARD HAND SIGNALS FOR CONTROLLING CRANE OPERATIONS

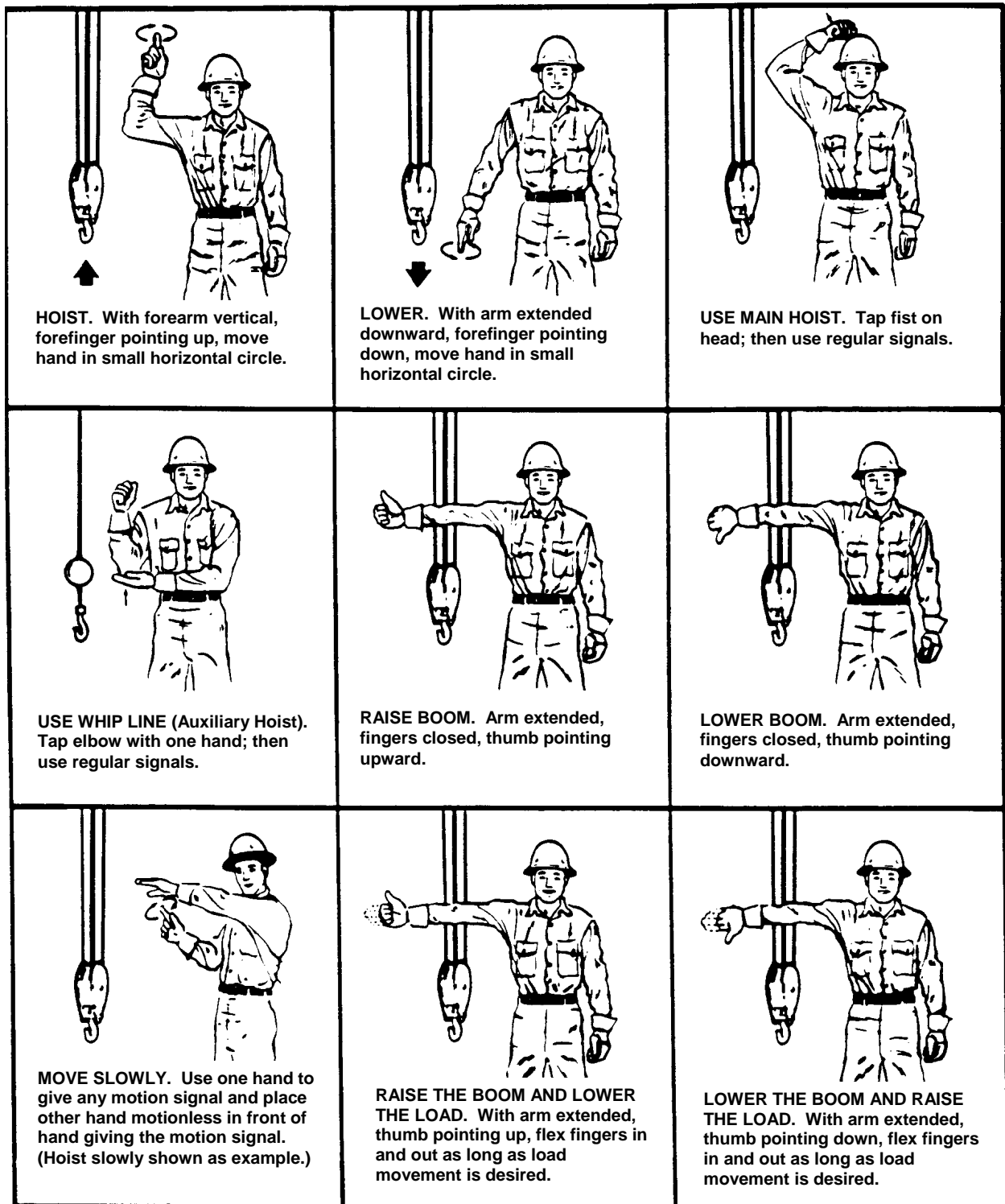


Figure 10-1 (1 of 3)

STANDARD HAND SIGNALS FOR CONTROLLING CRANE OPERATIONS (cont'd)

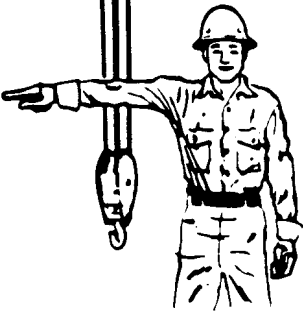
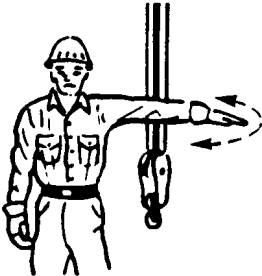
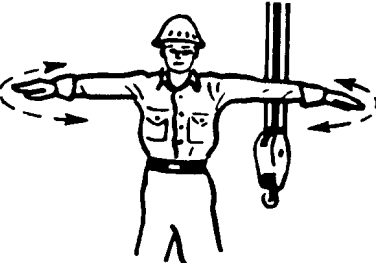
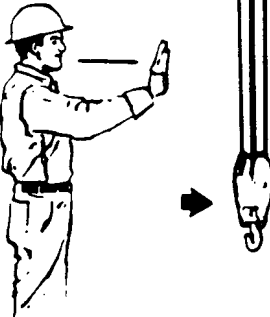
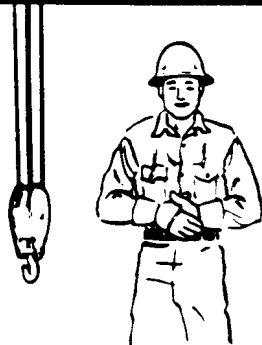
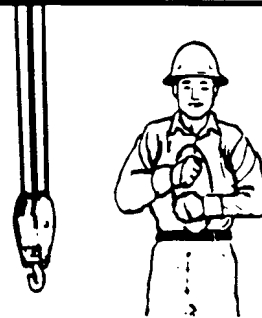
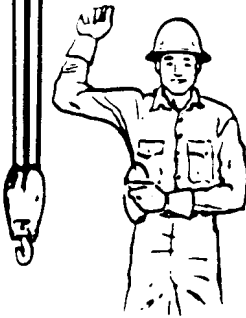
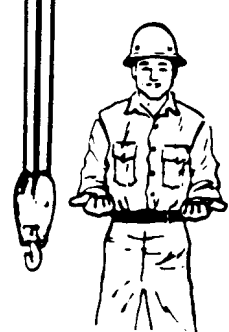
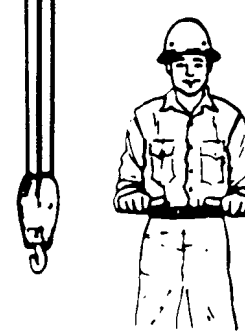
 <p><b>SWING.</b> Arm extended, point with finger in direction of swing of boom.</p>	 <p><b>STOP.</b> Arm extended, palm down, move arm back and forth horizontally.</p>	 <p><b>EMERGENCY STOP.</b> Both arms extended, palms down, move arms back and forth horizontally.</p>
 <p><b>TRAVEL.</b> Arm extended forward, hand open and slightly raised, make pushing motion in direction of travel.</p>	 <p><b>DOG EVERYTHING.</b> Clasp hands in front of body.</p>	 <p><b>TRAVEL (Both Tracks).</b> Use both fists in front of body, making a circular motion about each other, indicating direction of travel, forward or backward. (For land cranes only.)</p>
 <p><b>TRAVEL. (One Track)</b> Lock the track on side indicated by raised fist. Travel opposite track in direction indicated by circular motion of other fist, rotated vertically in front of body. (For land cranes only.)</p>	 <p><b>EXTEND BOOM (Telescoping Booms).</b> Both fists in front of body with thumbs pointing outward.</p>	 <p><b>RETRACT BOOM (Telescoping Booms).</b> Both fists in front of body with thumbs pointing toward each other.</p>

Figure 10-1 (2 of 3)

STANDARD HAND SIGNALS FOR CONTROLLING CRANE OPERATIONS (cont'd)

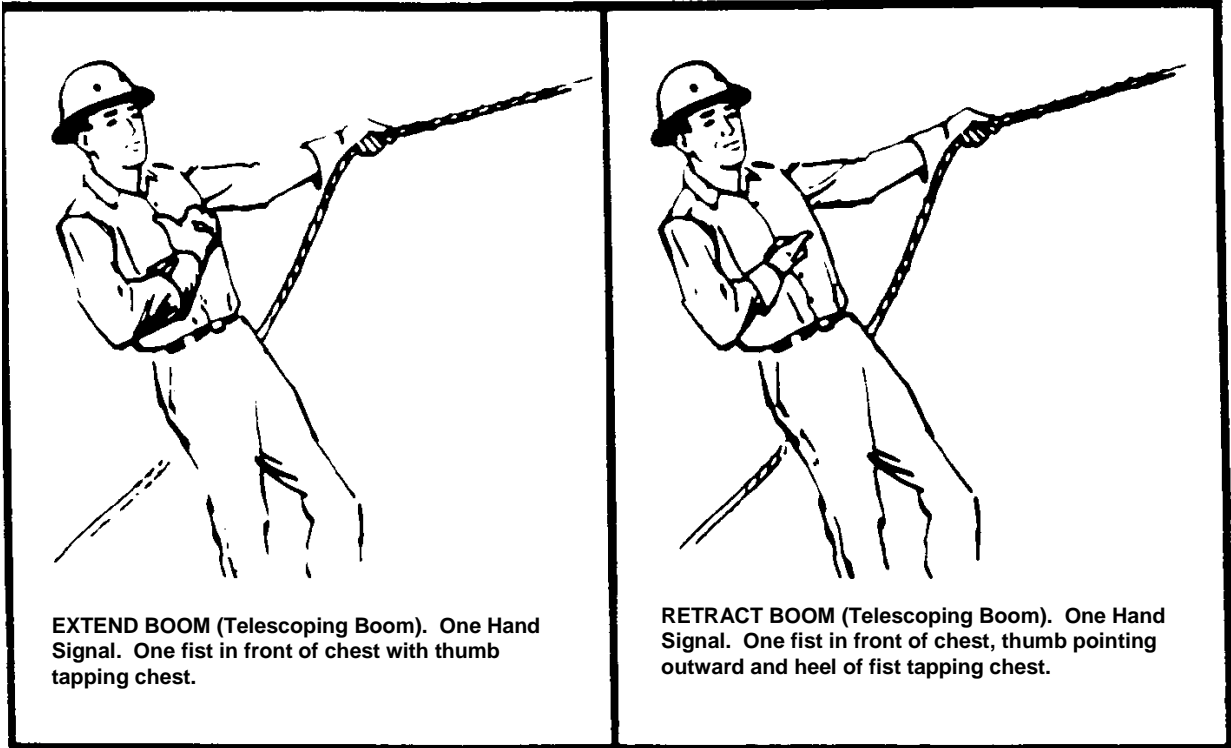


Figure 10-1 (3 of 3)

## STANDARD HAND SIGNALS FOR CONTROLLING OVERHEAD AND GANTRY CRANES

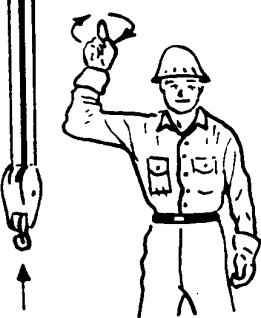
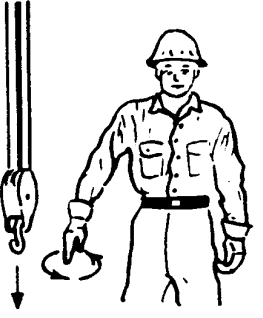
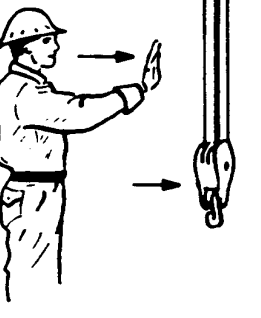

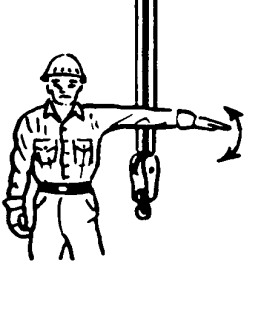
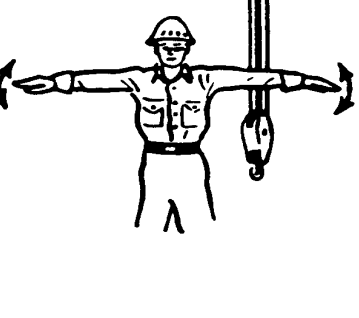
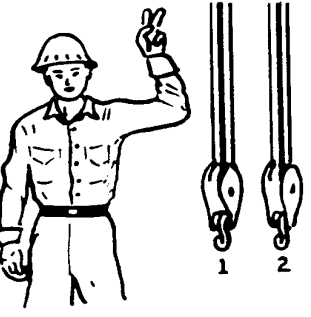
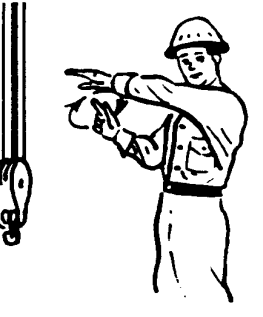
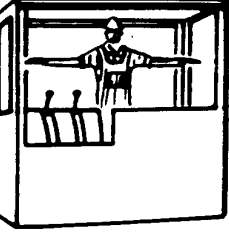
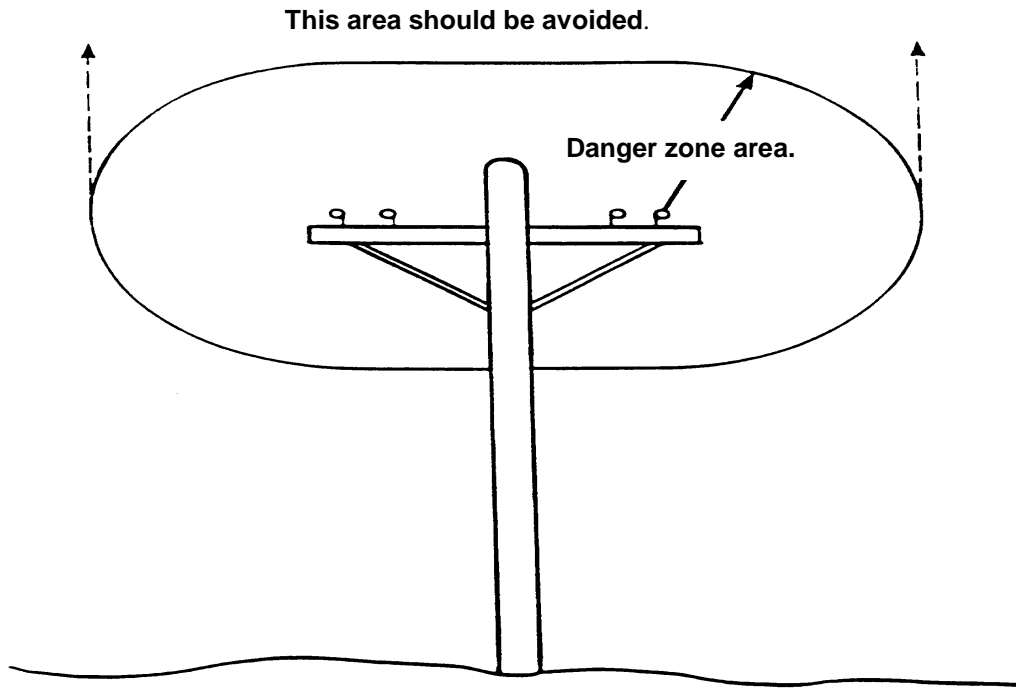
		
<p><b>HOIST.</b> With forearm vertical, forefinger pointing up, move hand in small horizontal circle.</p>	<p><b>LOWER.</b> With arm extended downward, forefinger pointing down, move hand in small horizontal circles.</p>	<p><b>BRIDGE TRAVEL.</b> Arm extended forward, hand open and slightly raised, make pushing motion in direction of travel.</p>
		
<p><b>TROLLEY TRAVEL.</b> Palm up, fingers closed, thumb pointing in direction of motion, jerk hand horizontally.</p>	<p><b>STOP.</b> Arm extended, palm down, move arm back and forth horizontally.</p>	<p><b>EMERGENCY STOP.</b> Both arms extended, palms down, move arms back and forth horizontally.</p>
		
<p><b>MULTIPLE TROLLEYS.</b> Hold up one finger for block marked "1" and two fingers for block marked "2". Regular signals follow.</p>	<p><b>MOVE SLOWLY.</b> Use one hand to give any motion signal and place other hand motionless in front of hand giving the motion signal. (<i>Hoist slowly</i> shown as example.)</p>	<p><b>MAGNET IS DISCONNECTED.</b> Crane operator spreads both hands apart — palms up.</p>

Figure 10-2

**DANGER ZONE FOR CRANES AND LIFTED LOADS  
OPERATING NEAR ELECTRICAL POWER LINES**



Minimum clearance distances for operation near electric power lines and for transit with no load and boom or mast lowered.

VOLTAGE, KV (PHASE TO PHASE)	MINIMUM REQUIRED CLEARANCE, FT (M)
---------------------------------	---------------------------------------

**Operation Near High Voltage Power Lines**

0 to 50	20 ( 6.10)
Over 50 to 200	20 ( 6.10)
Over 200 to 350	20 ( 6.10)
Over 350 to 500	50 (15.24)
Over 500 to 750	50 (15.24)
Over 750 to 1000	50 (15.24)

**In Transit with No Load and Boom or Mast Lowered**

0 to 0.75	4 (1.22)
Over 0.75 to 50	6 (1.83)
Over 50 to 345	10 (3.05)
Over 345 to 750	16 (4.87)
Over 750 to 1000	20 (6.10)

Figure 10-3



## SECTION 11

### CONTRACTOR AND OTHER NON-NAVY OWNED WEIGHT HANDLING EQUIPMENT

#### 11.1 Contractor Operated Cranes (and Multi-Purpose Machines, MHE, and Construction Equipment When Used as Cranes to Lift Suspended Loads) and Rigging Equipment.

Non-Navy-owned cranes, multi-purpose machines, MHE, and construction equipment are frequently used on Navy property to lift suspended loads. Rigging equipment may be used with these machines or by itself in contractor weight handling operations. These cranes and equipment can be from a variety of sources and are generally incidental to construction contracts, ship repair contracts, demolition contracts, maintenance and other service contracts, and deliveries of supplies and equipment. Numerous organizations, including tenant activities, ships, supply departments, and FEAD/ROICCs have contracting authority and often the need for cranes is not anticipated when contract documents are written.

The following requirements apply to any contracted work utilizing cranes (and multi-purpose machines, MHE, and construction equipment used to lift loads suspended by rigging gear) and to all rigging equipment used in weight handling operations at a naval activity. These requirements do not apply to shipboard cranes or rigging equipment. These requirements also do not apply to: commercial truck mounted and articulating boom cranes used solely to deliver material and supplies where the lift consists of moving materials and supplies (not prefabricated components, structural steel, or components of a systems-engineered metal building) from a truck or trailer to the ground; to cranes installed on mechanic's trucks that are utilized solely in the repair of shore-based equipment; to cranes that enter the activity but are not used for lifting; nor other machines not used to lift loads suspended by rigging equipment. However, WHE accidents shall be reported in accordance with paragraphs 11.1.h and 11.1.i.

Navy activity (i.e., host activity) commanding officers shall promulgate the following minimum requirements to tenants and contracting officers for inclusion in contracts, statements of work, purchase orders, etc.

- a. Require the contractor to comply with specific activity regulations pertaining to crane safety and operation (including allowable access routes and ground loading limitations), and to notify the contracting officer, in advance, of any cranes entering the activity or of any multi-purpose machines, MHE, or construction equipment that may be used in a crane-like application to lift suspended loads. Require the contractor to comply with applicable ANSI or ASME standards (e.g., ASME B30.5 for mobile cranes, ASME B30.22 for articulating boom cranes, ASME B30.3 for tower cranes, and ASME B30.8 for floating cranes, ASME B30.9 for slings, ASME B30.16 for overhead hoists, ASME B30.20 for below-the-hook lifting devices, ASME B30.21 for manually lever-operated hoists, ASME B30.26 for rigging hardware, ASME B30. ANSI/ITSDF B56.6 for rough terrain forklifts, ANSI A10.31 for digger derricks, ANSI A92.2 for aerial lifts/platforms with hoists or "sign trucks", ASSE A10.22 for personnel hoists). For cranes, machines, and rigging equipment at naval activities in foreign countries, the cranes, machines, and rigging equipment shall comply with the appropriate host nation safety standards. For floating cranes and barge-mounted mobile cranes, require a third party certification from an OSHA accredited

organization (or a third party certification from a state accredited organization for those states with OSHA approved state plans), a load indicating device, a wind speed indicating device, and a marine type list and trim indicator readable in one-half degree increments. Third party certification is not required for floating cranes and barge-mounted mobile cranes at Navy activities in foreign countries.

b. Require a certificate of compliance from the contractor (appendix P, figure P-1) that the crane (or other machine if used to lift suspended loads) and the rigging equipment meet applicable OSHA and ANSI/ASME regulations (with the contractor citing which OSHA and ANSI/ASME regulations are applicable, e.g., cranes/multi-purpose machines used in cargo transfer shall comply with 29 CFR 1917; cranes/multi-purpose machines used in construction, demolition, or maintenance shall comply with 29 CFR 1926; cranes/multi-purpose machines used in shipbuilding, ship repair, or shipbreaking shall comply with 29 CFR 1915; aerial lifts/platforms (sign trucks) with hoists shall comply with 29 CFR 1926.453 and ANSI A92.2; personnel hoists shall comply with 29 CFR 1926.552 and ASSE A10.22; slings shall comply with ASME B30.9; rigging hardware shall comply with ASME B30.26). For cranes (or other machines used to lift suspended loads) and rigging equipment at naval activities in foreign countries, the contractor shall certify that the crane (or other machine) and the rigging equipment conform to the appropriate host nation safety standards. The contractor shall also certify that all of its crane (or other machine) safety devices are enabled and functioning properly, that all personnel working on the naval activity job site have been trained to not stand under or in the fall zone of a suspended load unless specifically allowed by USACE EM 385-1-1, and that operators have been trained to not bypass safety devices (e.g., anti-two block devices, LMI's) during lifting operations. Require that the certifications be available on the crane or in the contractor's on-site office for rigging operations.

c. For mobile cranes, commercial truck mounted cranes, and articulating boom cranes with OEM rated capacities of greater than 2000 pounds, require that the crane operator be designated as qualified by a source that qualifies crane operators (i.e., a union, a government agency, or an organization that tests and qualifies crane operators). Proof of current qualification shall be provided. Operators of cranes used in construction at activities under US jurisdiction shall follow the qualification and certification requirements of 29 CFR 1926.1427. For Navy activities in foreign countries, follow host nation requirements as applicable in lieu of the CFR.

d. Require the contractor to certify (appendix P, figure P-1) that the operator is qualified and trained for the operation of the crane or machine to be used.

e. For multi-purpose machines, MHE, and construction equipment used to lift loads suspended by rigging equipment, require proof of authorization from the machine OEM that the machine is capable of making lifts of loads suspended by rigging equipment. Written approval from a qualified registered professional engineer, after a safety analysis is performed, is allowed in lieu of the OEM's approval. Require the contractor to demonstrate that the equipment is properly configured to make such lifts and is equipped with a load chart.

Note: MHE attachments covered by and used in accordance with NAVSEA SW023-AH-WHM-010 have been pre-approved for use with all MHE. These attachments are exempt from the OEM authorization requirement above.

f. Require that all hooks used on cranes, hoists, other machines, and rigging gear shall have self-closing latches or the throat opening shall be "moused" (secured with wire, rope, heavy tape, etc.) or otherwise secured to prevent the attached item from coming free of the hook under a slack condition. The following exceptions apply and shall be approved by the contractor's technical organization: items where the hook throat is fully obstructed and not available for manual securing; and lifts where securing the hook throat increases the danger to personnel, such as forge shop, dip tank, or underwater work.

g. Require a critical lift plan for each of the following lifts: lifts over 75 percent of the capacity of the crane, hoist, or other machine (lifts over 50 percent of the capacity of a barge-mounted mobile crane's hoists) at any radius of lift; lifts involving more than one crane, hoist, or other machine; lifts of personnel (lifts of personnel suspended by rigging equipment from multi-purpose machines, MHE, or construction equipment shall not be permitted); lifts made in the vicinity of overhead power lines (see subparagraph (7)); erection of cranes; lifts of submerged or partially submerged objects (see exceptions in paragraph 10.4.1.e); lifts involving binding conditions; lifts of hazardous materials (see exceptions in paragraph 10.4.1.a); and lifts involving non-routine rigging or operation, sensitive equipment, or unusual safety risks. The plan shall include the following as applicable:

(1) The size and weight of the load to be lifted, including crane (or other machine) equipment and rigging equipment that add to the weight. The OEM's maximum load capacities for the entire range of the lift shall also be provided.

(2) The lift geometry, including the crane (or other machine) position, boom length and angle, height of lift, and radius for the entire range of the lift. Applies to both single and multiple-crane/machine lifts.

(3) A rigging plan, showing the lift points, rigging equipment, and rigging procedures.

(4) The environmental conditions under which lift operations are to be stopped.

(5) For lifts of personnel, the plan shall demonstrate compliance with the requirements of 29 CFR 1926.1431. For Navy activities in foreign countries follow host nation requirements as applicable in lieu of the CFR.

(6) For barge mounted mobile cranes, barge stability calculations identifying crane placement/footprint; barge list and trim based on anticipated loading; and load charts based on calculated list and trim specific to the barge the crane is mounted on. The amount of list and trim shall be within the crane OEM's requirements.

(7) For lifts in the vicinity of overhead power lines (i.e., if any part of the crane or other machine, including the fully extended boom of a telescoping boom crane or machine, or the load could approach the distances noted in figure 10-3 during a proposed operation), the plan shall demonstrate compliance with 29 CFR 1926.1408-1411. For Navy activities in foreign countries follow host nation requirements as applicable in lieu of the CFR.

h. Require the contractor to notify the contracting officer as soon as practical, but not later than four hours, after any WHE accident. (See definition in section 12.) Require the contractor to secure the accident site and protect evidence until released by the contracting officer. Require the contractor to conduct an investigation to establish the root cause(s) of any WHE accident, near miss, or unplanned occurrence. Crane operations shall not proceed until the cause is determined and corrective actions have been implemented to the satisfaction of the contracting officer. The contractor shall certify (appendix P, figure P-1) that the operators, riggers and company officials are aware of the actions required in the event of an accident as specified in the contract.

i. Require the contractor to provide the contracting officer a report for an accident or near miss within 30 days using the appropriate form provided in section 12 consisting of a summary of circumstances, an explanation of causes(s), photographs (if available), and corrective actions taken. These notifications and reporting requirements are in addition to those promulgated by OPNAVINST 5100.23 and related command instructions.

j. Require the contractor to certify (appendix P, figure P-1) that signal persons employed in construction work are qualified in accordance with 29 CFR 1926.1428. For Navy activities in foreign countries follow host nation requirements as applicable in lieu of the CFR.

k. Require the contractor to certify (appendix P, figure P-1) that the riggers are qualified to perform the work by either signing a statement of compliance, providing proof of successful completion of a rigging apprenticeship by a union or other organization providing apprenticeship training, or proof of successful completion of training courses from a recognized source such as a trade union, a government agency, or an organization that tests and qualifies riggers.

l. The following additional documentation is required for contracts involving tower cranes:

(1) Foundation design and requirements.

(2) Installation instructions.

(3) Assembly and disassembly instructions including climbing/jumping instructions if applicable.

(4) Operating manual, limitations, and precautions.

(5) Periodic inspection and maintenance requirements.

For tower cranes at Navy activities in foreign countries, the tower cranes shall comply with the appropriate host nation safety standards and industry consensus safety standards (e.g., EN or ISO standards).

m. The following additional requirements apply to contracts involving work on telecommunication towers or with personnel hoists on telecommunication towers:

(1) Base mounted drum hoists used in communication tower work shall comply with TIA-1019, TIA-222G, ASME B30.7, and 29 CFR 1926.552 and 29 CFR 1926.553. For Navy activities in foreign countries follow host nation requirements as applicable in lieu of the CFR.

(2) When used for hoisting personnel, base mounted drum hoists shall comply with OSHA Instruction CPL 02-01-056; National Association of Tower Erectors standard "Base Mounted Hoist Mechanism Design Use Standard for Lifting Personnel While Working on Telecommunication Structures"; ANSI/ASSE A10.22; and AMSE B30.23 (or equivalent host nation safety standards for Navy activities in foreign countries).

(3) The use of a pickup truck or any other equipment besides a base mounted drum hoist for hoisting materials and/or personnel is prohibited.

(4) Rough-terrain forklifts, bulldozers, and similar equipment may be utilized for towing and anchorage purposes of guys. The use of such equipment for trolley/tag and load lines is prohibited, with the exception of using construction equipment for the sole purpose of anchorage that will not be moved during operations.

(5) Rigging gear utilized in communication tower work shall comply with the applicable ASME/OSHA standards. Operator, signal person, and rigger qualifications shall be in accordance with OSHA standards and this section. For Navy activities in foreign countries, follow host nation requirements as applicable in lieu of the CFR or ASME standards.

n. For construction contracts, follow the Unified Facilities Guide Specification UFGS-01 35 26 and U.S. Army Corps of Engineers EM-385-1-1 in lieu of paragraphs 11.1.a through 11.1.g, 11.1.j through 11.1.m, and appendix P, figures P-1 and P-2.

## 11.2 Contracting Officer Responsibilities

a. The contracting officer shall include the minimum requirements of paragraph 11.1 in contracts, ensure compliance with contract requirements, provide oversight of contractor crane and rigging operations, and provide oversight of contractor accident investigations and corrective actions. The degree of oversight shall be based upon the risk to personnel and property; however, oversight shall be performed at least once and the minimum periodicity shall be not more than every 30

days. When critical lifts are involved, oversight periodicity shall be not more than every 14 days. Appendix P, figure P-2, provides a checklist that shall be used during oversight of contractor crane and rigging operations. Copies of appendix P, figure P-2, shall be kept on file for one year. Personnel performing oversight shall complete the Contractor Crane Awareness training course (see section 7) or the NAVFAC 40-hr Contract Hazard Awareness Training Course.

b. The contracting officer shall notify the host activity of any WHE accident upon notification by the contractor. Additionally, the contracting officer shall notify the Navy Crane Center, by e-mail (m\_nfsh\_ncc\_accident@navy.mil), of an accident involving a fatality, in-patient hospitalization, overturned crane, collapsed boom, or any other major damage to the crane or adjacent property as soon as possible, preferably within 8 hours of notification by the contractor. For all other accidents, notify the Navy Crane Center as soon as practical but no later than three working days after the accident.

c. The contracting officer shall provide the Navy Crane Center and host activity a copy of every accident and near miss report, regardless of severity, upon receipt from the contractor. These requirements are in addition to any notification and reporting requirements promulgated in OPNAVINST 5100.23 and command instructions. When the contracting office is not in the local area, the contracting officer shall designate a local representative to ensure compliance with the above noted requirements. The contracting officer or designated weight handling representative shall sign all crane and rigging accident and near miss reports to indicate that they are satisfied that the contractor's investigation and corrective action are sufficient.

d. For construction contracts, the forms in U.S. Army Corps of Engineers EM-385-1-1 are acceptable in lieu of paragraph appendix P, figure P-2.

11.3 Host Activity Responsibilities. The host activity shall ensure that contracts contain the above requirements, concur with the contracting officer's oversight plan, ensure that the oversight plan is being carried out, and provide oversight of contractor accident and near miss investigations and corrective actions.

11.4 Other Non-Navy-Owned Cranes and Rigging Equipment at Naval Activities.

11.4.1 Rented or Leased Cranes or Other WHE Operated by Navy or BOS Contractors and Cranes and Rigging Equipment Owned and Operated by BOS Contractors and by Contractors Engaged in NAVSEA OP-5 Operations in the United States and its Territories. Cranes shall be inspected, load tested, and certified to the requirements of section 4 prior to use (except for appendix E hook NDT requirements). Other WHE shall be inspected, tested, and marked in accordance with section 14 requirements. For third party certified mobile cranes that cannot be load tested to the specified overload tests of this publication due to OEM restrictions or designs that prevent periodic overload tests, the cranes shall be down rated to 90 percent of the OEM's rated capacity (80 percent for non-mobile cranes) and tested to the requirements of this publication. For long term-leases (over 4 months) and for BOS contractor owned cranes, the maintenance and inspection requirements of section 3 and appendix E hook NDT requirements shall also apply. Additionally, an

equipment history file in accordance with section 5, containing those documents required by sections 3 and 4 and their applicable appendices, shall be maintained on each crane. These history files shall be retained for one year after the end of the lease (seven years if the crane is involved in a crane or rigging accident). These requirements shall be included in applicable contracts. See paragraph 4.8 for third party certification requirements.

Crane operators shall be licensed/qualified in accordance with the requirements of section 8 (this includes BOS contractor personnel). Crane operations and accident reporting shall be in accordance with sections 9, 10, and 12 (BOS contractor crane and rigging accidents shall be treated and reported as Navy crane and rigging accidents). Rigging equipment and usage practices shall be in accordance with section 14.

(INTENTIONALLY LEFT BLANK)



## SECTION 12 ACCIDENTS, NEAR MISSES, AND UNPLANNED OCCURRENCES

12.1 General. In addition to the investigation and reporting requirements of OPNAVINST 5102.1, activities shall investigate and report weight handling accidents, near misses, and unplanned occurrences in accordance with this section. Such investigations are a significant element of an accident prevention program. Activities shall promptly investigate all suspected accidents commensurate with the seriousness/severity of the event. The investigation process provides an opportunity for activities to identify causal information and to develop meaningful corrective actions to prevent similar events from recurring. An additional method of identifying process deficiencies that could lead to an accident is by way of an effective monitor program (see section 2). This section focuses on the reporting of weight handling accidents or near accidents and distinguishes the differences between accidents, near misses, and unplanned occurrences.

12.2 Categories. There are two general categories of accidents as defined below. Crane accidents are those that occur during operation of a category 1, 2, 3, or 4 crane. Rigging accidents are those that occur when gear and equipment identified in section 14 is used by itself in a weight handling operation, i.e., without category 1 through 4 cranes, or when section 14 gear is used with multi-purpose machines, MHE (e.g., forklifts), and equipment covered by NAVFAC P-300 in a weight handling operation. In addition, accidents that occur during the operation of entertainment hoists (see section 13) shall be reported as rigging accidents.

12.3 Significant Accident. A significant accident is an accident that typically has a greater potential to result in serious injury or substantial property damage. The following accident types are considered significant accidents: injuries (regardless of severity), overloads, dropped loads, two-blocks, crane derailments, or contact with overhead electrical power lines. Other types of accidents that result in OPNAV Class A, B, C, or D reporting thresholds for material property damage are also considered significant accidents.

12.4 Crane Accidents. For the purpose of this definition, it is assumed there is an "operating envelope" around any crane. The operating envelope consists of any of the following elements:

- a. The crane (exception: a crane being operated in transit as defined in appendix A).
- c. The operator.
- d. The riggers, signal persons, and crane walker.
- e. Other personnel involved in the operation (supervisor, mechanic, tagline handler, engineer, etc.).
- f. The rigging gear between the hook and the load.
- g. The load.

- h. The crane's supporting structure (ground, rail, etc.).
- i. The lift procedure.

12.4.1 Definition. A crane accident occurs when any of the elements in the crane operating envelope fails to perform correctly during a crane operation (see appendix A), including operation during maintenance or testing, resulting in any of the following:

- a. Personnel injury or death. (Minor injuries that are inherent in any industrial operation, including strains and repetitive motion related injuries, shall be reported by the normal personnel injury reporting process of the activity in lieu of these requirements.)
- b. Material or equipment damage.
- c. Dropped load (includes any part of the load or rigging gear and any item lifted with the load or rigging gear).
- d. Derailment.
- e. Two-blocking.
- f. Overload (includes load tests when the nominal test load is exceeded).
- g. Collision (avoidable contact between the load, crane, and/or other objects). Avoidable contact is defined as contact that would have been prevented with proper lift planning and execution. Simply briefing that contact will occur is not sufficient.

Note: Items c, d, e, f, and g are considered accidents even though no material damage or injury occurs.

12.4.2 Exceptions.

- a. A component failure (e.g., motor burnout, gear tooth failure, bearing failure) shall be considered an accident only if damage to the load or another crane component occurs as a result of the failure.
- b. An accident involving a mobile crane (cat 1 or 4) that is configured for transit is considered an unplanned occurrence and shall be reported in accordance with paragraph 12.7.3.

12.5 Rigging Accidents. For the purpose of this definition, it is assumed there is an "operating envelope" around any rigging or other section 14 equipment operation, and inside the envelope are the following:

- a. Rigging gear or miscellaneous equipment identified in section 14.
- b. The user of the gear or equipment (including operators of multi-purpose machines, MHE, and construction equipment)
- c. Other personnel involved in the operation (supervisor, mechanic, tagline handler, etc.).

- d. The load.
- e. The gear or equipment's supporting structure (padeyes, ship's structure, building structure, etc.).
- f. The load's rigging path.
- g. The rigging or lift procedure.

12.5.1 Definition. A rigging accident occurs when any of the elements in the operating envelope fails to perform correctly during a rigging operation (see appendix A) resulting in any of the following:

- a. Personnel injury or death. (Minor injuries that are inherent in any industrial operation, including strains and repetitive motion related injuries, shall be reported by the normal personnel injury reporting process of the activity in lieu of these requirements.)
- b. Material or equipment damage that requires the damaged item to be repaired because it can no longer perform its intended function. This does not include superficial damage such as scratched paint, minor lagging damage, or normal wear on rigging gear.
- c. Dropped load (Includes any part of the load or rigging gear and any item lifted with the load or rigging gear).
- d. Two-blocking of cranes and powered hoists identified in section 14.
- e. Overload (Includes load tests when the test load tolerance is exceeded).

Note: Items c, d, and e are considered accidents even though no material damage or injury occurs.

12.5.2 Exception. A component failure (e.g., motor burnout, gear tooth failure, bearing failure) shall be considered an accident only if damage to the load or another component occurs as a result of the failure.

12.6 Action. Upon having an accident or having seen evidence of damage (suspected accident), the crane team, riggers, equipment users, etc., shall stop all operations and notify immediate supervisor(s). If there is impending danger to the equipment or personnel, place the crane and/or load in a safe position prior to notifying supervision. Ensure the accident scene is secured and undisturbed so as to facilitate the investigation. The supervisor shall review the situation and take any further emergency action, including stopping production work or other operations that could aggravate the situation. The supervisor shall notify management personnel as well as the activity safety office.

12.6.1 Initial Accident Notification. For accidents involving a fatality, inpatient hospitalization, overturned crane, collapsed boom, or any other major damage to the crane, load, or adjacent property, notify the Navy Crane Center by e-mail

(m\_nfsh\_ncc\_accident@navy.mil) as soon as practical but not later than eight hours following the accident. Notification for all other accidents shall be made as soon as practical but no later than three working days after the accident. Initial notification shall include the following:

- a. Name and UIC of the activity responsible for the accident
- b. Contact information (name/phone and email)
- c. Date and location of the accident
- d. A brief description of the accident
- e. Accident type and crane type (Navy identification number if known)
- f. description of any injuries or damage associated with the accident

12.6.2 Accident Investigation and Reporting. For each suspected accident, activities shall promptly perform an investigation. Activities shall prepare a crane and rigging accident report, figure 12-1 (available on the Navy Crane Center web site), and forward a copy to the Navy Crane Center (Code 06) within 30 days of the accident. The activity that is responsible for the weight handling operation at the time of the accident (for accidents involving a RIC, the activity that assigned the RIC) shall initiate the investigation and submit the accident report. If the crane or rigging gear is owned by another activity, obtain concurrence from the activity that owns the equipment prior to submitting to the Navy Crane Center. If another activity is responsible for the accident, obtain concurrence from the activity responsible. Concurrence shall also be obtained from the weight handling program manager, if applicable, and for crane accidents, the certifying official. Photographs of the accident scene and material/property damage shall be taken, if possible, and attached to the report. The Navy Crane Center will review accident reports and issue lessons learned and other directives as appropriate. Any request for copies of these reports should be directed to the reporting activity. Rigging accident reports shall be kept on file for seven years.

## 12.7 Near Misses and Unplanned Occurrences.

12.7.1 Near Misses. A near miss is an unplanned event during a weight handling operation that did not result in a definable accident noted above but easily had the potential to do so. Only a break in the chain of events prevented an accident. Simply put, a near miss is an accident that almost took place. The difference between a near miss and an accident (serious or otherwise) is often a fraction of an inch or a split second of time. A near-miss report is used to learn from situations where an accident “almost” happened so that the real event can be averted. By focusing on and learning from minor events, it is possible to reduce the probability of an actual accident from occurring. Near-miss reporting provides an opportunity to identify risks and mitigate the potential for an accident. It is a means for correcting issues that did not result in loss or injury, and it increases awareness of those personnel involved in or performing work. It is not intended that a near-miss investigation and report be as thorough as that for a

crane or rigging accident; however, the investigation and report should be commensurate with the significance of the event.

12.7.2 Unplanned Occurrences. An “unplanned occurrence” describes an event that does not meet the definition of a crane or rigging accident but results in injury, or damage to a crane, crane component, or related equipment due to an event not directly related to a weight handling operation. Examples include, but are not limited to, injury or damage caused by weather, damage to a parked or stationary crane caused by another moving object (e.g. vehicle, forklift), significant maintenance errors, and flooding or fire damage.

12.7.3 Reporting of Near Misses and Unplanned Occurrences. Near misses and unplanned occurrences that do not fall under the crane and rigging accident definitions shall be reported using figure 12-2 (available on the Navy Crane Center website). These reports shall be submitted in accordance with this section within 30 days of the event.

<b>CRANE AND RIGGING ACCIDENT REPORT</b>				
<b>Accident Category:</b> <input type="checkbox"/> Crane Accident <input type="checkbox"/> Rigging Accident				
<b>Reporting Activity:</b>			<b>Copy To:</b> Navy Crane Center Bldg. 491 NNSY Portsmouth, VA 23709 Fax: 757-967-3808	
<b>UIC:</b>				
<b>Activity Responsible for the Accident:</b>		<b>Report No:</b>		
<b>UIC:</b>		<b>Accident Location:</b>	<b>Accident Date:</b>	<b>Time:</b>
<b>BOS Contractor:</b> <input type="checkbox"/> Yes <input type="checkbox"/> No <b>If Yes, Contract No:</b>		<b>Contractor Equip.</b> <input type="checkbox"/> Yes <input type="checkbox"/> No		
<b>Crane No:</b>	<b>Crane Type:</b>	<b>Category:</b>	<b>Crane OEM:</b>	
<b>Crane Capacity:</b>	<b>Hoist Capacity:</b>	<b>Weight of Load on hook:</b>	<b>Weather:</b>	
<b>Complex Lift or Complex Non-Crane Rigging Operation?</b> <input type="checkbox"/> Yes <input type="checkbox"/> No				
<b>Lost Work Days?</b> <input type="checkbox"/> Yes <input type="checkbox"/> No		<b>Fatality or Permanent Disability?</b> <input type="checkbox"/> Yes <input type="checkbox"/> No		<b>Material/ Property Cost Estimate:</b>
<b>Accident Type (check all that apply):</b>				
<input type="checkbox"/> Personal Injury	<input type="checkbox"/> Overload	<input type="checkbox"/> Two Blocked	<input type="checkbox"/> Power Line Contact	
<input type="checkbox"/> Dropped Load	<input type="checkbox"/> Derail	<input type="checkbox"/> Crane Collision	<input type="checkbox"/> Damaged Crane	
<input type="checkbox"/> Damaged Rigging Gear	<input type="checkbox"/> Damaged Load	<input type="checkbox"/> Load Collision	<input type="checkbox"/> Other: Specify _____	
<b>Cause of Accident (check all that apply):</b>				
<input type="checkbox"/> Improper Operation	<input type="checkbox"/> Equipment Failure	<input type="checkbox"/> Inadequate Visibility		
<input type="checkbox"/> Improper Rigging	<input type="checkbox"/> Switch Alignment	<input type="checkbox"/> Inadequate Communication		
<input type="checkbox"/> Track Condition	<input type="checkbox"/> Procedural Failure	<input type="checkbox"/> Other: Specify _____		
<b>Responsibility (check all that apply):</b>				
<input type="checkbox"/> Crane Walker	<input type="checkbox"/> Rigger	<input type="checkbox"/> Operator	<input type="checkbox"/> Signal Person	
<input type="checkbox"/> Maintenance	<input type="checkbox"/> Management/Supervision	<input type="checkbox"/> Other: Specify _____		
<b>Crane Function:</b>				
<input type="checkbox"/> Travel	<input type="checkbox"/> Hoist	<input type="checkbox"/> Rotate	<input type="checkbox"/> Luffing	<input type="checkbox"/> Telescoping
		<input type="checkbox"/> Other	<input type="checkbox"/> N/A	
<b>Is this accident indicative of a recurring problem?</b> <input type="checkbox"/> Yes <input type="checkbox"/> No				
<b>If yes, list Accident Report Nos.:</b> _____				
<b>ATTACH COMPLETE AND CONCISE SITUATION DESCRIPTION AND CORRECTIVE/PREVENTIVE ACTIONS TAKEN AS ENCLOSURE (1). Include root cause and contributing factors. Assess damages and define responsibility. For equipment malfunction or failure, include specific description of the component and the resulting effect or problem caused by the malfunction or failure. List immediate and long term corrective/preventive actions assigned and respective codes.</b>				
<b>INCLUDE: Printed Name, Code and Date.</b>				
<b>Preparer:</b>	<b>Phone:</b>	<b>E-mail:</b>	<b>Code:</b>	<b>Date:</b>
<b>Concurrence</b>		<b>Code:</b>	<b>Date:</b>	
<b>Concurrence WHE Program Manager (if Applicable)</b>		<b>Code:</b>	<b>Date:</b>	
<b>Certifying Official (Crane Accident Only):</b>				

## CRANE AND RIGGING ACCIDENT REPORT INSTRUCTIONS

This form is designed for e-mail transmission, and with enclosures shall be the official document. Electronic submission will be accepted but the names of the preparer, concurring personnel, and certifying official (for crane accidents only) shall be filled in. The e-mail address is m\_nfsh\_ncc\_accident@navy.mil.

1. Accident Category: Indicate either crane accident or rigging accident.
2. Reporting Activity/UIC: The activity and unit identification code responsible for reporting the accident.
3. Activity Responsible for the Accident/UIC: Self-explanatory.
4. Report No.: The activity assigned accident number (e.g., Activity UIC-FY-CA-01).
5. Accident Location: The detailed location where the accident took place (e.g., building 213, dry dock 5).
6. Accident Date: The date the accident occurred.
7. Time: The time (24 hour clock) the accident occurred (e.g., 1300).
8. Is the responsible party a BOS Contractor? Check yes or no. If yes, enter contract number.
9. Was the crane/equipment owned by a contractor? Check yes or no.
10. Crane No.: The activity assigned crane number (e.g., PC-5), if applicable.
11. Crane Type: The type of crane involved in the accident (e.g., mobile, bridge), if applicable.
12. Category: Identify category of crane (i.e., 1, 2, 3, or 4), if applicable.
13. Crane OEM: The original equipment manufacturer of the crane (e.g., Samsung, Grove, P&H), if applicable.
14. Crane Capacity: The certified capacity of the crane (e.g., 120,000 pounds), if applicable.
15. Hoist Capacity: The capacity of the hoist involved in the accident at the max radius of the operation, if applicable.
16. Weight of Load on Hook: The weight of the load on the hook, if applicable.
17. Weather: The weather conditions at time of accident (e.g., wind, rain, cold).
18. Complex lift: Was the crane or rigging gear being used in a complex lift? Check yes or no.
19. Lost Work Days? Check yes or no.
20. Fatality or Permanent Disability: Check yes or no.
21. Material/Property Cost Estimate: Estimate total cost of damage resulting from the accident.
22. Accident Type: Check all that apply.
23. Cause of Accident: Check all that apply.
24. Responsibility: Check all that apply.
25. Crane Function: Check all functions in operation at time of accident. Check N/A if a rigging gear accident.
26. Is this a recurring problem? Check yes or no. If yes, list Accident Report numbers.
27. Preparer: Printed name must be provided.
28. Concurrences: Printed name must be provided.
29. Certifying Official (Crane Accidents Only): Printed name must be provided.

### Enclosure (1)

Brief Description: No more than one paragraph summarizing the resultant incident.

Root Cause and Detailed Description: Provide the relevant background in a descriptive timeline of preconditions leading up to the event, as well as a detailed description of the event.

Corrective Actions: List all short term and long term corrective actions that are taken to prevent recurrence of the incident. Short Term Corrective Actions are those actions taken that will allow return to work in short time frame. Long Term actions are more 'programmatic' in nature and typically include: process revision, changes in training, 'mistake proofing', etc.

**NOTE:** This report may be generated utilizing activity approved software provided all information required above is included.





## CRANE AND RIGGING NEAR MISS INSTRUCTIONS

This form is designed for e-mail transmission and with enclosures and signatures shall be the official document. Electronic submission will be accepted without signatures but the names of the preparer, concurring personnel, and certifying official (for crane accidents only) shall be filled in. The e-mail address is m\_nfsh\_ncc\_accident@navy.mil.

1. Near Miss Category: Indicate crane near miss, rigging near miss, or unplanned occurrence.
2. Reporting Activity/UIC: The activity and unit identification code responsible for reporting the near miss.
3. Activity Responsible for the Near Miss/UIC: Self-explanatory.
4. Report No.: The activity assigned near miss number (e.g., Activity UIC-FY-CA-01).
5. Location: The detailed location where the near miss took place (e.g., building 213, dry dock 5).
6. Near Miss Date: The date the near miss occurred.
7. Time: The time (24 hour clock) the near miss occurred (e.g., 1300).
8. Is the responsible party a BOS Contractor? Check yes or no. If yes enter contract number.
9. Is the crane/equipment owned by a contractor? Check yes or no.
10. Crane No.: The activity assigned crane number (e.g., PC-5), if applicable.
11. Crane Type: The type of crane involved in the near miss (e.g., mobile, bridge), if applicable.
12. Category: Identify category of crane (i.e., 1, 2, 3, or 4), if applicable.
13. Crane OEM: The original equipment manufacturer of the crane (e.g., Samsung, Grove, P&H), if applicable.
14. Crane Capacity: The certified capacity of the crane (e.g., 120,000 pounds), if applicable.
15. Hoist Capacity: The capacity of the hoist involved in the near miss at the max radius of the operation, if applicable.
16. Weight of Load on Hook: If applicable, the weight of the load on the hook.
17. Weather: The weather conditions at time of accident (e.g., wind, rain, cold).
18. Complex lift: Was the crane or rigging gear being used in a complex lift?
19. Is this a recurring problem? Check yes or no. Identify any other similar near misses or accidents.
20. Brief Description: No more than one paragraph summarizing the resultant incident.
21. Root Cause and Detailed Description: Provide the relevant background in a descriptive timeline of preconditions leading up to the event, as well as a detailed description of the event.
22. Corrective Actions: List all short term and long term corrective actions that were/will be taken to prevent recurrence of the incident. Short term corrective actions are those actions taken that will allow return to work in short time frame. Long term actions are more 'programmatic' in nature and typically include: process revision, changes in training, 'mistake proofing', etc.

**NOTE:** This report may be generated utilizing activity approved software provided all information required above is included.

Figure 12-2 (2 of 2)

(INTENTIONALLY LEFT BLANK)

## SECTION 13 ENTERTAINMENT HOISTS

13.1 Entertainment Hoists. Entertainment hoists may be treated differently than category 2 or 3 cranes due to the inherent nature of their design, installation, application, and use. Unless otherwise specified, entertainment hoists are not required to meet other requirements of this publication.

13.2 Identification. Entertainment hoists shall be identified as such in their equipment history files.

13.3 Criteria for Entertainment Hoists. Entertainment hoists shall meet the definition and all of the following criteria:

- a. Be designed and installed by a company specializing in the design and installation of entertainment hoists.
- b. Be designed in accordance with the ANSI E1.6 (or equivalent standards in effect at the time of design and installation).
- c. Be originally tested in accordance with the ANSI E1.6 standards (or equivalent standards in effect at the time of design and installation).
- d. Be maintained in accordance with the ANSI E1.6 standards and the OEM recommendations.
- e. Be operated in accordance with the ANSI E1.6 standards and the OEM recommendations. Personnel shall not be permitted within the fall zone of the load while the load is moving.
- f. Have an equipment history file established providing documentation of 13.3.a through 13.3.e, along with identification as noted in paragraph 13.2.

If the hoist cannot meet all of the above requirements, then the hoist shall be treated as a category 2 or 3 crane.

13.4 Alterations. Alterations to entertainment hoists shall follow the requirements of section 6.

13.5 Review of Existing Entertainment Hoists. Existing entertainment hoists shall be reviewed for compliance to paragraph 13.3. Existing entertainment hoists that were designed and installed before the advent of ANSI E1.6 may meet the requirements of 13.3.b by comparing the hoist design with the ANSI E1.6. The comparison shall be accomplished by the activity engineering organization or a qualified person (as defined in ANSI E1.6). Significant deviations shall be corrected or discussed with the Navy Crane Center.

13.6 Procurement of Entertainment Hoists. Design of entertainment hoists shall follow the requirements of the ANSI E1.6 and when practicable hoists shall be equipped with a backup structural connection from the load to the building structure. Procurement by the Navy Crane Center is not required.

13.7 Accidents, Near Misses, and Unplanned Occurrences. Investigation and reporting of accidents, near misses, and unplanned occurrences shall be in accordance with section 12.

SECTION 14  
RIGGING GEAR  
AND MISCELLANEOUS EQUIPMENT

14.1 Introduction. This section provides selection, maintenance, inspection, test, and use requirements for rigging gear and miscellaneous lifting equipment. These requirements apply to covered equipment used, with or without cranes, in weight handling operations, and to covered equipment used with multi-purpose machines, MHE (e.g., forklifts), and equipment covered by NAVFAC P-300. These requirements also apply to contractor-owned rigging equipment used with Navy and BOS contractor-owned WHE, multi-purpose machines, MHE, and equipment covered by NAVFAC P-300 used in weight handling operations. Except for BOS contracts, these requirements do not apply to contractor-owned equipment used with contractor-owned cranes, multi-purpose machines, MHE, backhoes, excavators, and front-end loaders (refer to paragraph 11.1).

This section and the applicable portions of section 10 provide the minimum requirements for developing and maintaining a program for covered equipment, i.e., maintenance, inspection, and use of applicable gear, operational responsibilities and requirements, operational risk management, critical non-crane rigging operations, etc. Knowledge factors for riggers involved in weight handling operations are provided in appendix N. This publication does not provide information on rigging principles or techniques; however, based on repeated accidents and monitor program observations, a few notable rigging practices are provided. Such information can be found in rigging handbooks, rigging gear users association manuals, OEM publications, textbooks, consensus standards, etc. (see appendices Q and R) and shall be used to provide guidance to rigging personnel. Activities have the option to establish local rigging procedures based upon established rigging references and the activity engineering organization may develop design and use criteria for locally designed and engineered rigging gear used in non-standard applications.

For Government-furnished equipment under the cognizance of NAVSEA 08, this section applies when the applicable technical manual invokes the NAVSEA Lifting Standard. For all equipment governed by the Lifting Standard, where requirements differ from this section, the Lifting Standard shall be followed.

These requirements also apply to rigging gear and miscellaneous equipment used by other military services on Navy maintained and certified cranes at joint bases.

14.1.1 Covered Equipment. This section applies to the following equipment used in weight handling operations: rigging gear (slings, including chain, wire rope, metal mesh, synthetic rope, synthetic webbing, and synthetic roundslings; shackles; eye bolts; swivel hoist rings; links and rings; turnbuckles; insulated links; hooks; etc.); portable LIDs (dynamometers, load cells, crane scales, etc.); crane structures; and portable manual and powered hoists/winches. Also covered are below-the-hook lifting devices as identified in ASME B30.20 (e.g., spreader beams, container spreaders, plate clamps, magnets, vacuum lifters); personnel platforms (see paragraph 10.9 through 10.9.2.3 for additional personnel platform requirements); portable gantry/A-frames, and portable floor cranes used for general lifting; and cranes and hoists procured with, integral to, and used solely in support of larger machine systems (milling machines, press brakes,

etc.). Integral lifting attachments (e.g., welded lift lugs on equipment to be lifted) and threaded holes for attachments are not covered, but should be marked with their allowable load/capacity. However, when new integral lifting attachments are installed on existing equipment they shall be treated as alterations in accordance with paragraph 14.6. OEM-provided rigging gear used for limited lifts (e.g., offload, initial storage, reloading, and shipment) of that OEM's product is not covered; however, where OEM provided specialized rigging equipment is used, the activity shall ensure that the equipment is in good condition and that personnel using the specialized equipment know how it is to be used. OEM-provided rigging gear used for continuing lifts of that OEM's product shall follow the requirements of paragraph 14.4.

Navy-owned rigging gear and miscellaneous equipment (and Air Force and Army owned rigging gear and miscellaneous equipment at joint bases used with Navy maintained and certified cranes) in an approved test and inspection program (e.g., NAVAIR, NAVSEA, Strategic Systems Program, Air Force, or Army approved program) is exempt from the requirements of this document and may be used for lifting with shore based weight handling equipment provided the gear or equipment's test and inspection are current and it is given a pre-use inspection of paragraph 14.4.2 before each use. However, usage practices shall be in accordance with this section unless the gear or equipment is being utilized with an approved pre-engineered procedure from the program that is cognizant over the gear or equipment.

This section does not apply to equipment and gear used for manual lifting where no mechanical advantage is utilized (e.g., hand-over-hand, over single fixed pulley lifts).

14.1.2 Procurement and Design Requirements. Procurement and design requirements for new equipment are contained in NAVCRANECENINST 11450.2. Existing equipment shall meet the design requirements of ASME and Navy/Military design standards in effect at the time of the equipment's procurement (e.g., ASME B30 series, ASME PALD/PASE, NAVFAC P-307, NAVCRANECENINST 11450.2) to be suitable for use.

14.2 Record Keeping. Except as noted in paragraphs 14.8 and 14.11, initial and periodic inspections and load tests required herein shall be documented for each piece of applicable equipment or gear. Computer generated files are acceptable provided they identify the individual components, dates of inspections and tests, and inspection/test results. The latest load test report and inspection report for each piece of equipment shall be retained.

14.3 Equipment Markings. In addition to the identification and marking requirements of the applicable ASME volume, except as noted in paragraphs 14.8 and 14.11, each piece of applicable equipment or gear shall be tagged, engraved, or otherwise marked in a manner that clearly identifies an indication of re-inspection due date when documented re-inspection is required. The marking of re-inspection due dates with the month and year is an acceptable practice; the expiration date shall be taken as the last day of the month. Additionally, the equipment or gear shall be marked with a unique serial number that will allow it to be traced to its test and inspection documentation (except as noted in paragraphs 14.8 and 14.11). Below-the-hook lifting devices weighing more than 100

pounds shall be marked with the weight of the device. Markings shall be located where the strength of the component will not be reduced. Generally, vibra-etch methods and low stress dot faced stamps are acceptable (consult OEM as necessary for allowable types and locations of markings). For multiple part equipment that can be separated (e.g., load indicators with custom shackles), the subordinate part (the shackle) shall be identified to the primary part (load indicator). This is not intended for standard shackles or turnbuckles, equipment that is not field disassembled such as swivel hoist rings, or for equipment for which the activity engineering organization is allowed to designate fasteners by grade only, such as portable padeye/lifting lug fasteners and eyebolt nuts. If space limitations do not permit legible marking, a tag containing required markings shall be attached and engineering guidance shall be obtained. OEM identification and logos shall not be removed or altered. OEM markings showing the rated load shall not be removed or altered unless directed by the activity engineering organization. If markings are removed during a repair process or are illegible due to wear, equipment shall be re-marked before use. Procurement documents shall ensure the equipment or gear is marked with the OEM's name, logo, trademark, or other method making it possible to identify the OEM. Locally fabricated rigging gear and miscellaneous equipment shall be marked to indicate it was fabricated by the local activity. Multiple-leg sling assemblies shall be marked with the rated load of each leg, the rated load of the entire assembly, and the sling angle upon which the rated load is based (sling assemblies supporting personnel platforms shall have each leg marked or tagged with its rated load). Markings for synthetic rope and webbing and wire rope used for lashing shall identify the spool and the master reel or lot from which taken, and shall indicate the rated load and re-inspection due date. Portable floor cranes shall be marked to clearly identify the proper leg extension position for each corresponding boom extension position.

14.3.1 Alternate Re-Inspection Due Date Markings. Alternate methods of marking may be used (e.g., metal tags, color coding, or plastic bands) in lieu of the date. The activity weight handling instruction shall identify the type of marking allowed. Riggers and category 3 crane operators shall be trained in their activity's alternative marking program.

14.4 Test and Inspection Program. Except as noted in paragraphs 14.8 and 14.11, each activity shall establish a program for applicable equipment, including a documented initial inspection and load test followed by pre-use and documented periodic inspections (and periodic tests as noted).

Unsatisfactory equipment and gear shall be removed from service and disposed of or repaired. Equipment shall be stored before and after use in such a way and location so as to prevent damage and not be a hazard to employees. Occasionally, equipment and gear is unsatisfactory as a result of a crane or rigging accident. The activity shall determine if damage was due to a crane or rigging accident and, if so, ensure that the accident is investigated and reported in accordance with section 12.

Equipment and gear that is not yet in a test and inspection program, is currently out of service, or is not used for lifting, shall be segregated from gear that is in service.

OEM-provided rigging gear used for continuing lifts of only that OEM's product (e.g., outboard engine lifter, transmission lifter, electronics cabinet lifter) does not require initial load tests. The gear shall be marked to show its capacity or specific product to be lifted and the gear shall be inspected in accordance with paragraphs 14.4.2 and 14.4.3. Where OEM provided specialized rigging equipment is used, the activity shall ensure that personnel using the equipment know how it is to be used.

**14.4.1 Load Test.** Except as noted in paragraphs 14.8 and 14.11, each piece of applicable equipment shall be given an initial load test. For each test, the equipment shall withstand the load test for a minimum of two minutes (10 minutes for hoists/winches, cranes, and crane structures) with no permanent deformation. For hoists/winches, trolleys, and other moving machinery, lift (travel) the test load through at least one revolution of all moving parts. Nominal test loads shall be as shown in table 14-1 and are expressed as percentages of the rated load established by the OEM or the activity engineering organization. The actual test load shall be +5/-0 percent of the nominal test load except for cranes, crane structures, hoists/winches, portable floor cranes, portable gantry/A-frames, and trolleys. For cranes, crane structures, hoists/winches, portable floor cranes, portable gantry/A-frames, and trolleys, the test load shall be +0/-5 percent of the nominal test load. A certificate of load (proof) test from the supplier of purchased equipment (stating the actual test load and test duration) will satisfy this requirement, provided the proof loads and test duration meet or exceed the above noted requirements. Frequencies for periodic load testing of applicable equipment are shown in table 14-1. (See below for controlled storage exception for portable manual hoists.) For equipment where the OEM does not permit testing at the percentages shown, the rated load shall be reduced such that the OEM's allowed test load will serve as the load test value. Equipment requiring a one-time load test that has been load tested in accordance with previous editions of this publication is not required to be retested. When testing wire rope and synthetic rope slings, ensure the slings are prevented from unlaying. (See use criteria for these slings.) Where it is not practical to test locally fabricated special rigging gear (e.g., non-standard eye bolts made specifically for a particular application), the activity engineering organization shall approve the use of such gear. Where test weights are used to test rigging gear and other equipment covered by this section, the requirements of paragraph 4.7.1.1 shall apply for the test weights.

For slings and paragraph 14.8 equipment used in cargo transfer, a certificate of proof load test from the OEM is required. Proof load test percentages shall be obtained from the applicable ASME volume if not specified in table 14-1.

Load testing of rigging gear and miscellaneous equipment utilizing machines specifically designed for that purpose (e.g., pull test machines) is not considered a weight handling operation. Deficiencies that occur during these evolutions shall be reported in accordance with paragraph 14.5. Overloads that occur during these evolutions should be investigated and reported as unplanned occurrences in accordance with section 12.

**14.4.1.1 Load Test of Rigging Assemblies.** A rigging assembly made up of component parts (slings, shackles, rings, etc.) that are reserved for that particular assembly may be tested as a complete assembly. A rigging component tested as part of an assembly shall



not be removed and used independently, unless it can be proven that the component was tested at the applicable percentage shown in table 14-1.

14.4.1.2 Load Test of Lashing. Synthetic rope and webbing and wire rope used for lashing need not be individually tested provided that a sample from each spool, master reel, or lot is tested and determined to have satisfactory breaking strength or OEM/supplier certification of proof test is furnished.

14.4.1.3 Crane Structures. If a crane structure is used to test multiple portable hoists throughout the year, the crane structure's rated load shall be greater than the highest test load to prevent continuous overloading of the crane structure. Top running crane runway rails used during crane structure load tests shall be certified per NAVFACINST 11230.1. If the crane load test is also the load test for rail certification, the rails shall be given a control inspection prior to load testing and shall have no catastrophic defects as defined by NAVFACINST 11230.1.

14.4.1.4 Controlled Storage Exception for Portable Manual Hoists. The requirements for load testing within 12 months prior to use do not apply to portable manual hoists placed in extended controlled storage as follows:

- a. The hoist shall be inspected, repaired if necessary, and load tested.
- b. Upon completion of the above, the hoist shall be placed in controlled storage and given a tracking number.
- c. A numbered locking security seal (metal or plastic) shall be applied to the pull chain or operating lever to ensure the hoist cannot be operated.
- d. When the hoist is needed for use, it shall be visually inspected (for apparent damage or significant deterioration) and operated prior to issuance.
- e. The re-inspection due date, not exceeding one year from the date placed in use, shall be marked on the hoist.
- f. The maximum storage period is 10 years.

14.4.1.5 Exception to Periodic Load Testing. Crane structures and portable gantry/A-frames with rated loads of 100 pounds or less, or that have a minimum design factor, based on the yield strength of the material, of 10 or greater do not require periodic load testing. A periodic inspection is required every two years.

14.4.2 Pre-use and Post-use Inspections (Frequent Inspection). Equipment shall be visually inspected by the user prior to each use to verify rated load, marking, condition (in accordance with applicable ASME frequent inspection criteria), and inspection status and serial number, if applicable. No documentation of pre-use inspection is required. Post-use inspections are recommended to ensure no damage has occurred during the weight handling operation.

14.4.3 Periodic Inspection. Periodic inspection frequencies for covered equipment are specified in table 14-1. Except for chain slings, rigging gear used exclusively for lifts of

100 pounds or less and gear with a design factor of 10 or greater with respect to the yield strength of the material are excluded from periodic inspection requirements.

14.4.4 Deferral of Inspection and Test for Emergent Conditions. When an emergent or other contingent condition exists precluding the timely inspection (and testing) of rigging gear or other equipment as required by table 14-1, the weight handling program manager or certifying official for the activity using the rigging gear or other equipment, with concurrence by the activity engineering or inspection organization, may approve in writing an extension of the periodic inspection (or test). The extension shall not exceed 60 calendar days from the expiration date. Before extending a periodic inspection or test, the rigging gear or other equipment shall pass a pre-use visual inspection to the maximum extent practical. Each authorization to extend a periodic inspection or test shall be documented for the affected piece of rigging gear or other equipment.

14.5 Deficiencies. Deficiencies include failure or malfunction of equipment and major or unsafe discrepancies between design drawings and equipment configuration. This does not include normal wear on the equipment. In those instances where a deficiency is detected that has applicability at other Navy activities, the Navy Crane Center shall be notified as soon as practical, but in no case later than five days of the discovery. A summary report of the deficiency, including corrective actions taken or recommended, shall be forwarded to the Navy Crane Center within 21 days. Figure 3-1 shall be used to report the deficiency to the Navy Crane Center.

14.6 Maintenance, Repairs, and Alterations. Maintenance, repairs, (including the adjustment or disassembly/reassembly of components to accomplish repairs), and alterations to equipment shall be performed in accordance with OEM or activity engineering instructions. Where repairs are prohibited by the OEM, ASME, or other standards, the item or component shall be discarded. The instructions shall require re-inspection (and load test for affected load bearing components) of the repaired or altered equipment. Removal of cracks in load bearing parts shall be verified by nondestructive test as described in appendix E, paragraph 1.4.4. Work documents for repairs affecting load bearing, load control, or operational safety shall be retained for seven years. Other repair work documents shall be retained for one year. Alterations to load-bearing parts, load controlling parts, or operational safety devices on hoists/winches, cranes, and crane structures require Navy Crane Center approval. Alterations to non-load bearing portions of load bearing components require local crane alteration approval. Navy Crane Center approval is not required for alterations to other equipment covered by this section. See section 6 for alteration request procedures. Alteration documentation shall be retained for the life of the equipment.

14.7 Slings. Slings shall meet the criteria of ASME B30.9, with additions and changes as noted below. Loads on slings increase with increasing angles from vertical. Slings shall not be used at angles of less than 30 degrees from horizontal, unless specifically authorized by an engineering work document. In addition, capacity reductions may be required for slings used in basket or choker hitches, or where the body of the sling is bent around a hook, shackle, or other rigging gear. Components in multiple-leg sling assemblies shall be sized based on the worst case distribution of loads. For example, slings, shackles, and other components in a four-leg assembly for a four-point lift shall be

sized based on either pair of diagonally opposing legs carrying the entire load, unless the assembly is equipped with devices that automatically adjust for equal distribution of the load such as engineered equalizer plates. Chain hoists may be used for equalizing loads only if used in conjunction with LIDs. This requirement for LIDs does not apply to chain hoists used for leveling the load in three-point or two-point lift configurations.

**Table 14-1**  
**Test Load Percentages for Initial and Periodic Load Tests, Periodic Load Test Frequencies, and Inspection Frequencies**

Equipment	Test Load Percentage	Periodic Test Load Frequency	Periodic Inspection Frequency
Beam clamps	125	NA <sup>(1)</sup>	Annual
Below the hook lifting devices (except as noted)	125	NA <sup>(1)</sup>	Annual
Blocks (tackle, snatch, wire rope)	NA	NA	Annual <sup>(6)</sup>
Chain slings	200	NA	Annual <sup>(2)</sup>
Crane integral to larger machine systems	125	Annual	Annual
Crane structures that do not have permanently mounted hoists	125	Every 2 years	Every 2 years
Equalizer beams and flounder plates	125	NA <sup>(1)</sup>	Annual
Eye bolts	NA	NA	Annual <sup>(6)</sup>
Eye nuts	NA	NA	Annual <sup>(6)</sup>
Hoists/winches	125	Annual	Annual
Hooks	200	NA	Annual
Insulated Links	200	NA	Annual
Lashing	Break Test	NA	Annual
Lifting beams	125	NA <sup>(1)</sup>	Annual
Links and rings (excluding links and rings for sling assemblies and welded links and rings)	NA	NA	Annual <sup>(6)</sup>
Magnetic lifters	200	Annual	Annual
Metal mesh slings	200	NA	Annual
Personnel platforms	125	Annual <sup>(3)</sup>	Annual <sup>(3)</sup>
Plate clamps	125	Annual <sup>(1)</sup>	Annual
Portable gantry/A-frames, portable floor cranes	125 <sup>(4)</sup>	Every 2 years	Every 2 years
Portable load indicating devices	NA	NA	Annual <sup>(5)</sup>
Portable padeyes/lugs See paragraph 14.9.2 for attachment fasteners.	125	NA <sup>(1)</sup>	Annual
Shackles	NA	NA	Annual <sup>(6)</sup>
Swivels	NA	NA	Annual <sup>(6)</sup>
Swivel hoist rings	NA	NA	Annual <sup>(6)</sup>
Synthetic rope slings	200	NA	Annual
Synthetic roundslings	200	NA	Annual
Synthetic webbing slings (including cargo/wheel nets and flexible intermediate bulk containers (FIBC) bags)	200	NA	Annual
Trolleys	125	Every 2 years	Every 2 years
Turnbuckles	NA	NA	Annual <sup>(6)</sup>
Vacuum lifters	125	Annual <sup>(1)</sup>	Annual
Welded links and rings	200	NA	Annual <sup>(6)</sup>
Wire rope slings & endless slings (grommets) except hand tucked	200	NA	Annual
Wire rope slings & grommets (hand tucked)	125	NA	Annual

Notes: For slings and paragraph 14.8 equipment used in cargo transfer, a certificate of proof load test from the OEM is required. Proof load test percentage shall be obtained from applicable ASME volume if not specified above.

<sup>(1)</sup> Below-the-hook lifting devices, (e.g., spreader beams, container spreaders, lifting devices for unique cargo, and bar pallet bridles) with rated loads greater than 10,000 pounds, used in cargo transfer shall be load tested every 4 years, also see paragraph 4.8.2.

<sup>(2)</sup> Chain slings used in shipbuilding, ship repair, shipbreaking, or cargo transfer shall be inspected every three months per 29 CFR 1915.112 and 1917.42 (h) respectively.

- (3) See paragraphs 10.9 through 10.9.2.3 for additional requirements.
- (4) Portable floor cranes shall be tested to 125 percent of the OEM's rated load prior to initial use. Load tests shall be performed at minimum and maximum boom extension, with the load located at the outer hook location. The loads shall be lifted throughout the range of travel and held for 10 minutes with the boom horizontal. With the load as close to the ground as possible, travel the crane, forward and reverse at least one revolution of all moving parts at maximum and minimum boom extension. Subsequent tests for units that are equipped with internal load limiting devices shall be performed at 100 to 105 percent of the OEM's rated load. Adjustable height portable gantries shall be tested at maximum height.
- (5) Portable LIDs shall be calibrated in accordance with the activity's calibration program and the OEM's recommendations.
- (6) Documentation of periodic inspection is not required. A proper pre-use (frequent) inspection will satisfy the periodic inspection requirement and therefore, inspection documentation is not required.

#### 14.7.1 Chain Slings and Fittings

14.7.1.1 Chain Sling Periodic Inspection Criteria. Each link and each attachment shall be examined individually (taking care to expose inner link surfaces).

14.7.1.2 Chain Sling Rejection Criteria. In addition to the removal criteria of ASME B30.9, the sling shall be removed from service if inspection reveals any of the following:

- a. An increase in length of a measured section due to stretch exceeding five percent.
- c. A link with a raised scarf or defective weld.

14.7.1.3 Chain Sling Use Criteria. Chain slings shall be used in accordance with ASME B30.9 and OEM recommendations. Where a chain sling is used in a choker hitch, the straight-line (vertical) rated load shall be reduced to reflect the efficiency percentages shown in table 14-3. Chain slings are recommended for use in abrasive and high temperature environments that may damage other slings. Chain slings shall not be used where their use increases the risk of electrical shock or electrocution, or where damage to equipment may result.

#### 14.7.2 Wire Rope Slings.

Swaged end connections shall be steel, except that aluminum ferrules may be used for turnback swaged eye splices (also called or return loop or loop back swaged eye splices) provided the material and processes are in accordance with EN 13411 Part 3.

14.7.2.1 Wire Rope Sling Periodic Inspection Criteria. Inspection shall be conducted on the entire length of each sling, including splices, end attachments, and fittings.

14.7.2.2 Wire Rope Sling Rejection Criteria. In addition to the removal criteria of ASME B30.9, the sling shall be removed from service if inspection reveals any of the following:

- a. Severe localized abrasion or wear including wear of 1/3 of the original diameter of the outside individual wires. (ASME B30.9 reduction from nominal diameter of more than 5 percent meets this criterion).

b. End attachments/fittings that are cracked or deformed, or any indication of strand or wire slippage in end attachments/fittings. Pay special attention to the base (lug or bail) to shank transition area for sockets.

c. Wear in the end attachment socket (excluding the swage area) exceeding 10 percent of the OEM's nominal socket dimensions or 5 percent of the OEM's nominal diameter of the socket pin.

When hand-tucked splices are used to form eyes, eye splices shall have at least three tucks with a whole strand of the rope and two tucks with one half of the wire cut from each strand. Other forms of splices which can be shown to be as efficient and safe may be used if they are not otherwise prohibited. Protruding ends of strands on hand-tucked splices shall be covered or blunted in such a way that does not damage the wire. Covering shall be removable to inspect the splice.

14.7.2.3 Wire Rope Sling Use Criteria. Wire rope slings shall be used in accordance with ASME B30.9 and OEM recommendations. Wire rope slings shall not be used over a pin, shackle, hook, or ring of less than the nominal diameter of the wire rope. If the body of the sling is bent around an object that is greater than 40 times the diameter of the wire rope (e.g., basket hitch), then the total capacity of the sling is equal to two times the sling's single leg lift capacity. If the body of the sling is bent around a pin, hook, or other object that is 40 times the diameter of the sling or less, the total capacity shall be reduced to reflect the efficiency percentages shown in table 14-2. For loads with non-circular cross sections, "D" shall be derived from the minimum bend diameter of the wire rope around the corner of the load. No additional reduction is required for endless slings that are rated and used based on a D/d efficiency of 50 percent. Where a wire rope sling is used in a choker hitch, the straight-line (vertical) rated load shall be reduced to reflect the efficiency percentages shown in table 14-3. Wire rope clips shall not be used to form slings or eyes.

Protection shall be used where necessary to protect the load and the sling from damage. In addition, for slings bent around corners, the corners of the load shall be rounded (e.g., pipe sections or commercially available blocks designed for that purpose) to provide a minimum D/d ratio of one to one.

Except for braided slings, wire rope slings shall not be used in single-leg straight-line (vertical) or choker hitches, unless a method is used to prevent unlaying of the rope. Wire rope slings shall not be used where their use increases the risk of electrical shock or electrocution, damage to equipment may result.

14.7.2.3.1 Additional Criteria for Wire Rope Endless Slings (Grommets). To determine the straight-line (vertical) rated load of an endless sling, use the following equation:

$$\text{Rated Load} = \frac{\text{NRS} \times \text{D/d Efficiency} \times 2}{\text{DF}}$$

Where: NRS is the nominal rope strength listed in Federal Spec RR-W-410, the minimum breaking force listed in ASTM A-1023, the nominal rope strength provided by the wire rope OEM, or the actual breaking strength based on destructive testing of material samples.

D/d efficiency is taken from table 14-2.  
 DF is the design factor (5 or greater).

14.7.2.3.1.1 Load Test. The sling shall be tested over a pin with a diameter equal to or greater than the wire rope diameter. The test load shall be 200 percent of the rated load determined from the above equation using the efficiency factor derived from the diameter of the test pin, with a maximum efficiency of 78 percent. For a test pin diameter between the values shown in table 14-2, the efficiency shall be determined from a curve plotted from the D/d values and efficiency percentages shown. The test load and test pin diameter shall be recorded. For slings procured from commercial vendors, the vendor's proof test shall be in accordance with these criteria.

14.7.2.3.1.2 Marking and Usage. Endless slings shall have a marked rated load based on a D/d efficiency of 50 percent and may be used over various size pins at loads not exceeding the marked rated load. Alternatively, for a sling that will be used in a specific application over a single pin diameter, the marked rated load shall be the rated load based on a D/d efficiency for that pin diameter; in which case the sling shall be marked to indicate that pin diameter. The load test pin diameter shall be greater than or equal to the specific use pin diameter.

- a. If the test pin diameter is greater than the wire rope diameter, the sling may be used at a load higher than the marked rated load with written approval from the activity engineering organization. The allowable load shall be the load derived from the above equation for the intended pin diameter but shall not exceed 50 percent of the test load. Authorization shall be provided for each intended use at a load higher than the marked rated load.

Table 14-2  
 Efficiency Factors for Wire Rope Slings

D/d Ratio	Efficiency Percentage
1:1	50
2:1	65
4:1	75
5:1	78
8:1	83
12:1	87.5
16:1	90
24:1	92.5
40:1	95
over 40:1	100

Efficiency is expressed as the percentage of the remaining basket hitch capacity of the sling. For D/d ratios between the values shown, use the lower efficiency percentage or, alternatively, plot a curve of D/d versus efficiency percentage. Braided slings shall only be used where the D/d efficiency is at least 75 percent (D/d ratio of 4:1 for the component rope).

Table 14-3  
Rated Loads for Slings in a Choker Hitch

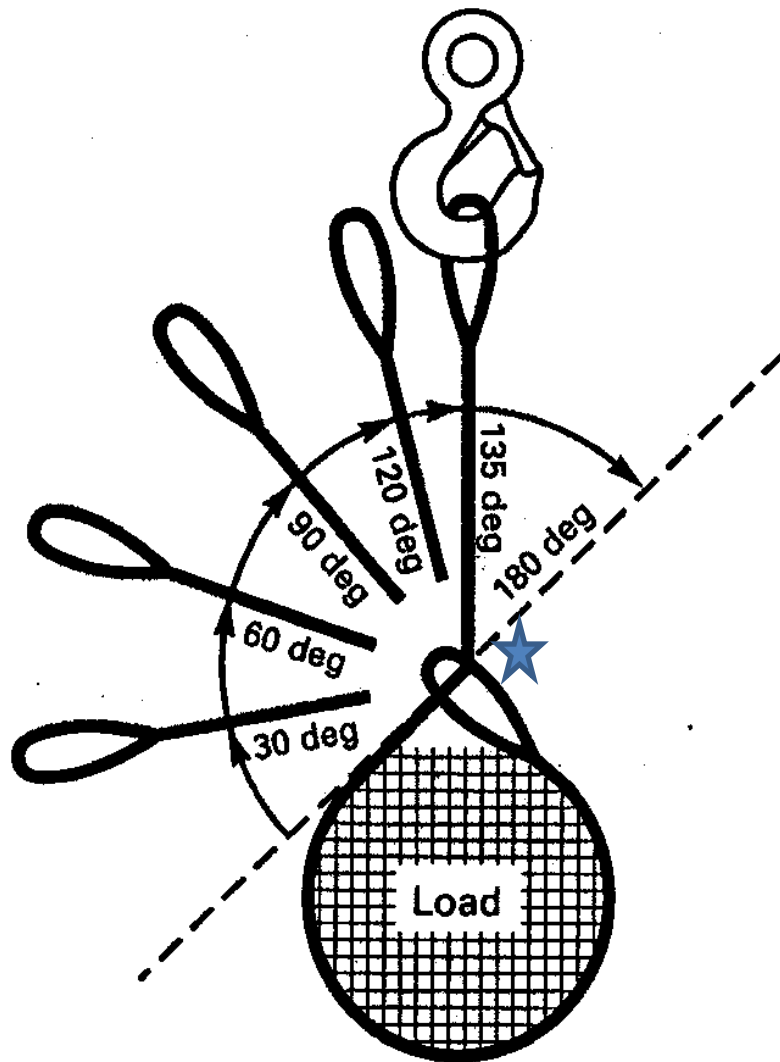
Angle of Choke in Degrees (see figure 14-1)	Percentage of Straight-Line (Vertical) Rated Load		
	Chain	Wire Rope, Synthetic Rope	Synthetic Web and Round
121-135	80	75 <sup>3</sup>	80
90-120	see Note 1	65	65
60-89	see Note 1	55	55
30-59	see Note 1	46	46
0-29	see Note 1	36	36

Notes:

1. For chain slings with an angle of choke less than 121 degrees, the percent of rated capacity shall be determined by the sling OEM or the activity engineering organization.
2. Braided wire rope slings react differently than standard wire rope slings in a choker hitch; therefore, choker hitch capacities shall be determined by the OEM or the procedures developed by the Wire Rope Technical Board.
3. 69 percent for cable-laid wire rope



## CHOKER HITCH CONFIGURATIONS



### Angle of Choke

Note: Angles of choke greater than 135 degrees are considered unstable and shall not be used. A shackle is recommended at the star between the eye and the body.

Figure 14-1

14.7.2.3.2 Additional Criteria for Braided Wire Rope Slings. Braided wire rope slings, shall have their OEM rated capacity reduced and marked to 70 percent of OEM capacity. Higher capacities based on documented destructive testing of sample slings may be approved by the Navy Crane Center on a case basis. These slings shall be used at D/d ratios of at least 4:1 (75 percent efficiency) as noted by table 14-2. When used in a choker hitch, follow the notes of table 14-3.

14.7.3 Metal Mesh Slings. Metal mesh slings shall be marked by the activity with the straight-line (vertical), basket, and choker hitch capacity if they do not come from the sling OEM with this capacity marked on them.

14.7.3.1 Metal Mesh Sling Periodic Inspection Criteria. Inspection shall be conducted on the entire length of each sling, including welds, end attachments, and fittings.

14.7.3.2 Metal Mesh Sling Rejection Criteria. In addition to the removal criteria of ASME B30.9, the sling shall be removed from service if inspection reveals knots in any part of the sling.

14.7.3.3 Metal Mesh Sling Use Criteria. Metal mesh slings shall be used in accordance with ASME B30.9 and OEM recommendations. Metal mesh slings are recommended for use in abrasive and high temperature (up to 550 degrees F) environments that may damage other flat slings, such as web slings. Metal mesh slings shall not be used where their use increases the risk of electrical shock or electrocution, or where damage to equipment may result. Elastomer coated slings shall not be used in temperatures below 0 degrees or above 200 degrees F.

14.7.4 Synthetic Slings. Where non-metallic slings are used (e.g., for ease of handling or equipment protection), only slings made from synthetic materials shall be used. Natural fiber rope shall not be used for slings. Properly fitted thimbles shall be used where any synthetic rope is secured permanently to a ring, shackle, or other attachment where practical. Ensure slings are not excessively bunched in the bowl of the hook or in shackles, which can cause uneven loading on the fibers. Stacking of synthetic slings is not considered bunching if allowed by the sling OEM, the bearing stress calculations showing allowable stresses are performed and documented by the activity engineering organization, and the resulting bearing stress is within the sling OEM allowable levels.

Synthetic slings can be easily cut at corners or edges or otherwise damaged by abrasion or excessive bearing stress. Sling protection shall be used where there is a possibility of the sling being cut or otherwise damaged by abrasion or bearing. Sling protection material shall be of sufficient thickness and strength to prevent sling damage. With high stresses on slings, soft chafing protection material may not maintain the minimum required radius or provide the required protection. In these cases, harder materials, such as split piping sections or special rounded shoes shall be used. Sling OEMs also provide products that protect slings from corners or edges. Activities should contact the OEM for availability of such products. Ensure the rigging configuration is stable and slings cannot slide off the sling protection. The level of protection required is based on potential damage at the contact interface. Damage potential levels are classified as abrasion, bearing, and cutting. The level of protection chosen shall be

commensurate with the type of damage potential. The person responsible for rigging the load shall be trained in recognizing the different damage types and determining what protection methods, material, and components are required to adequately protect the slings.

Abrasion - The load surface may be dull and have a large radius, but as the sling begins to tension prior to lifting the load, the sling stretches and can be abraded or burned by the rough surface (e.g., concrete pipe, rough hook). The sling protection shall be suitable to accept the abrasion without being destroyed.

Bearing – As the sling contact width decreases, the pressure increases and sling protection material may be severed. When required (e.g., small diameter pin with multiple highly loaded slings), the calculation for determining a sling protection's resistance to bearing failure shall be obtained from the sling OEM and varies according to the material, radius, and pressure.

Cutting – Sling damage due to cutting often results in catastrophic sling failure with little or no warning. It is critical that personnel using synthetic slings recognize that the cutting force has little to do with the actual sharpness of the edge (e.g., lifting a mobile crane using synthetic slings around a 90 degree outrigger beam has resulted in several significant crane accidents due to cutting of the slings). The sling shall be completely blocked from contacting the load edge with a hard material, not soft materials such as canvas, fire hoses, or leather gloves.

#### 14.7.4.1 Synthetic Rope Slings

14.7.4.1.1 Synthetic Rope Sling Periodic Inspection Criteria. Inspection shall be conducted on the entire length of each sling, including splices, end attachments and fittings.

14.7.4.1.2 Synthetic Rope Sling Rejection Criteria. In addition to the removal criteria of ASME B30.9, the sling shall be removed from service if inspection reveals any of the following:

- a. Indications of rotting.
- b. Backturns.
- c. Variations in the size or roundness of the strands.
- d. Severance of one-third of the cover (outer) yarns.

14.7.4.1.3 Synthetic Rope Sling Use Criteria. Synthetic rope slings shall be used in accordance with ASME B30.9 and OEM recommendations. Where a synthetic rope sling is used in a choker hitch, the straight-line (vertical) rated load shall be reduced to reflect the efficiency percentages shown in table 14-4. Stranded synthetic rope slings shall not be used in a single part straight-line (vertical) hitch, unless a method is used to prevent unlaying of the rope. Slings shall not be used where there is a danger of chemical attack,

overheating, or other damage. (Heat or flame may be used to melt non-load-bearing ends to prevent fraying.) Slings shall not be painted. Exposure to sunlight shall be minimized. Slings shall be stored indoors or in a suitable container. Synthetic rope slings shall not be substituted for other types of slings shown on rigging sketches without prior engineering approval.

#### 14.7.4.2 Synthetic Webbing Slings

14.7.4.2.1 Synthetic Webbing Sling Inspection Criteria. Inspection shall be conducted on the entire length of each sling, including stitches, end attachments, and fittings.

14.7.4.2.2 Synthetic Webbing Sling Rejection Criteria. In addition to the removal criteria of ASME B30.9, the sling shall be removed from service if inspection reveals any of the following:

- a. Indications of rotting.
- b. Crushed webbing (in some cases indicated by the exposure of red safety alert yarns).
- c. Embedded abrasive particles.

14.7.4.2.3 Synthetic Webbing Sling Use Criteria. Synthetic webbing slings shall be used in accordance with ASME B30.9 and OEM recommendations. Where a synthetic webbing sling is used in a choker hitch, the straight-line (vertical) rated load shall be reduced to reflect the efficiency percentages shown in table 14-3. Synthetic webbing slings shall not be used where there is a danger of chemical attack, overheating, or other damage. Slings shall not be painted. Exposure to sunlight shall be minimized. Slings shall be stored indoors or in a suitable container. Synthetic webbing slings shall not be substituted for other types of slings shown on rigging sketches without prior engineering approval.

Nylon web slings shall not be used where fumes, vapors, sprays, mists, or liquids of acids or phenolics are present.

Polyester and polypropylene web slings shall not be used where fumes, vapors, sprays, mists, or liquids of caustics are present.

#### 14.7.4.3 Synthetic Roundslings

14.7.4.3.1 Synthetic Roundsling Periodic Inspection Criteria. Inspection shall be conducted on the entire length of each sling, including stitches, end attachments, and fittings.

14.7.4.3.2 Synthetic Roundsling Rejection Criteria. Follow the removal criteria of ASME B30.9.

14.7.4.3.3 Synthetic Roundsling Use Criteria. Synthetic roundslings shall be used in accordance with ASME B30.9 and OEM recommendations.

- a. Roundslings shall be used only in the lifting applications for which they were designed by the OEM.
- b. Roundslings shall be used in strict compliance with the OEM's instructions, including using connection hardware (e.g., shackles, links, ring, hook, etc.) sizes recommended by the OEM or the WSTDA- RS-1.
- c. For new roundslings, a certificate of proof test shall be retained in the history file for the life of the sling.
- d. Roundslings constructed of yarns other than nylon or polyester, (e.g., Kevlar, Spectra, Dyneema, Vectran, Technora) (referred to here as " high performance fiber roundslings") shall be used in accordance with WSTDA-RS-1-HP in addition to ASME B30.9, OEM recommendations, and the additional requirements of this document.

Where a synthetic roundsling is used in a choker hitch, the straight-line (vertical) rated load shall be reduced to reflect the efficiency percentages shown in table 14-3. Synthetic roundslings shall not be used in a choker hitch if the sling OEM recommends against this practice. Slings shall not be used where there is a danger of fraying, chemical attack, overheating, or other damage. Slings shall not be exposed to temperatures exceeding OEM recommendations. Slings shall not be painted. Exposure to sunlight shall be minimized. Slings shall be stored indoors or in a suitable container.

14.8 Shackles, Links, Rings, Swivels, Eye Bolts, Eye Nuts, Turnbuckles, Blocks, Hooks, and Swivel Hoist Rings. Shackles, links, rings, swivels, eye bolts, eye nuts, turnbuckles, blocks, and swivel hoist rings do not require an initial load test, nor documentation of periodic inspections, nor additional marking or tagging other than that required by the applicable ASME volume (except for equipment used in cargo transfer and for initial testing and documentation of RT inspection of welded links and rings, as noted below). Hooks shall meet the requirements of paragraphs 14.2, 14.3, and 14.4. Shackles, links, rings, swivels, eye bolts, eye nuts, turnbuckles, blocks, hooks, and swivel hoist rings shall meet the criteria of ASME B30.26 (B30.10 for hooks), and NAVCRANECENINST 11450.2, with additions and changes as noted below. The welded area of master links, master link assemblies, sling links, and rings, shall be RT inspected in accordance with NAVSEA Technical Publication T9074-AS-GIB-010/271 with acceptance criteria to MIL-STD-2035 class 3 for welds prior to initial use. This is a one-time RT inspection. Welded links and rings also require an initial one-time proof test, as required by ASME B30.26.

14.8.1 General Inspection. Shackles, links, rings, swivels, eye bolts, eye nuts, turnbuckles, blocks, hooks, and swivel hoist rings shall be inspected for proper operation and for wear and excessive corrosion (sufficient to cause an orange peel texture after cleaning). Special care shall be taken to check high wear areas of shackles, links, and rings (e.g., center of the shackle bow and pin). Inspect for such conditions as nicks, cracks, gouges, or peening. Cracks shall be removed. Other conditions shall be removed

or, for questionable conditions, referred to the activity engineering organization for resolution. Where the component shows evidence of burning or welding, or is visibly bent, spread, twisted, or otherwise distorted, it shall be removed from service and destroyed. Components with damaged threads shall be referred to the activity engineering organization for resolution. The component shall be rejected where normal wear results in a reduction of the original cross sectional dimension of any part exceeding the following or OEM requirements if more restrictive:

- a. ASME B30.26 removal criteria shall be used for removal of shackles, links, rings, swivels, eye bolts, eye nuts, turnbuckles, blocks, and swivel hoist rings from service.
- b. ASME B30.10 removal criteria shall be used for removal of hooks from service.
- c. Threaded areas - ASME B1.1, ASTM A574, or ASTM F788 may be used as external thread inspection criteria. Internal threads should be given a visual inspection. ASTM F812 may be used for additional inspection criteria for nuts.

14.8.1.1 OEM Identification. Equipment lacking the OEM identification shall not be used in weight handling operations. See paragraph 14.3 for re-marking of equipment with worn or hard to read markings.

14.8.2 Repairs. Grinding, to remove defects, shall be the only method used to repair this equipment. Grinding shall follow the contour of the piece, blending with a maximum 1:3 (i.e., maximum rise to run) taper. Dimensions after grinding shall be within the wear limits for the piece being repaired. Grinding to remove defects on areas of a shackle pin where fit-up is critical (e.g., area of shackle pin that contacts roller bearing on dynamometers) is prohibited. Removal of defects to the limit specified above will not require a load test. Correction of defects by use of heat or welding is not permitted. No attempt shall be made to straighten bent or twisted rigging gear.

14.8.3 Use Criteria for Shackles, Links, and Rings. Shackles, links, and rings shall be selected and used in accordance with ASME B30.26 and OEM recommendations. Shackles shall be selected for the resulting tension rather than the weight of the load. In some cases, the tension of one leg of a lift could exceed the weight of the load. Special care shall be used in selecting shackles to be used in multiple leg applications. Different types, grades, or brands of shackles of the same rated load may vary significantly in physical size. This could affect the total leg length and the tension seen by each leg. Round pin shackles shall not be side loaded. If side loading of screw pin or bolt type shackles is required, reduce the rated load by 50 percent unless otherwise specified by the OEM or ASME B30.26. Shackles should be loaded bow-to-bow, whenever possible. For pin-to-pin or pin-to-bow loading, and for all other attachments to a shackle pin, the shackle is considered to be side loaded with the restrictions noted above unless the attachment is centered on the pin. Spacers may be used to ensure shackle pins are loaded in the center.

14.8.4 Shoulder Eye Bolt Use Criteria. Shoulder eye bolts shall be selected and used in accordance with ASME B30.26 and OEM recommendations, except as noted. Shoulder

eye bolts, either shoulder nut (through type) or machinery bolt type, shall be forged steel. Machinery bolt type eye bolts shall be installed with the shoulder flush with the mounting surface. Nut type eye bolts may be used with the shoulder not flush to the mounting surface if approved by the activity engineering organization. When installed with the shoulder flush to the face of the mounting surface, shoulder eye bolts may be used for loading at angles (in the plane of the eye) from the axis of the bolt shank. One or more spacers (of approximately the same outer diameter as the shoulder) may be used under the face of the shoulder to allow for rotational alignment. The total thickness of spacers shall not exceed one thread pitch. The rated load of the eye bolt shall be reduced in accordance with table 14-4 or OEM recommendations, whichever is more restrictive. Pulls at angles out of the plane of the eye are not permitted. Nut type eye bolts shall not be installed where plate thickness will not allow full nut contact with at least one external thread exposed. Steel nuts shall be equivalent to SAE J995 grade 5 hex nuts as a minimum. Minimum thread engagement for eye bolts used in threaded holes shall be 1 1/2 times the eye bolt diameter for threaded holes in steel and 2 times the eye bolt diameter for threaded holes in aluminum, or as recommended by the OEM or the activity engineering organization. If screwed into a base material or a permanently affixed nut of questionable grade or strength, or that does not allow the minimum thread engagement, the thread engagement shall be as recommended by the OEM or the activity engineering organization, or the rated load shall be reduced as recommended by the OEM or the activity engineering organization. Eye bolt nuts do not require match marking to their eye bolt unless the OEM or activity engineering organization specifies something other than SAE J995 grade 5.

Table 14-4  
Eye Bolt Loading for Shoulder Eye Bolts

<b>Direction of Loading (in the plane of the eye)</b>	<b>Maximum Allowable Percentage of Rated Load</b>
Along the axis of the shank to 5 degrees	100
6 to 15 degrees	55
16 to 90 degrees	25

14.8.5 Non-shouldered Eye Bolt Use Criteria. Non-shoulder eye bolts (sometimes referred to as plain pattern or regular nut type eye bolts) shall be selected and used in accordance with ASME B30.26 and OEM recommendations, except as noted. Non-shouldered eye bolts shall be forged steel. Pulls at angles greater than five degrees in the plane of the eye are not permitted. Pulls at any angle out of the plane of the eye are not permitted. Nut type eye bolts shall not be installed where plate thickness will not allow full nut contact with at least one external thread exposed. Steel nuts shall be equivalent to SAE J995 grade 5 hex nuts as a minimum. Minimum thread engagement for eye bolts used in threaded holes shall be 1 1/2 times the eye bolt diameter for threaded holes in steel and 2 times the eye bolt diameter for threaded holes in aluminum, or as recommended by the OEM or the activity engineering organization. If screwed into a base material or a permanently affixed nut of questionable grade or strength, or that does not allow the minimum thread engagement, the thread engagement shall be as recommended by the OEM or the activity engineering organization, or the rated load shall be reduced as recommended by the OEM or activity engineering organization. Eye bolt nuts do not

require match marking to their eye bolt unless the OEM or activity engineering organization specifies something other than SAE J995 grade 5.

**14.8.6 Turnbuckle Use Criteria.** Turnbuckles shall be selected and used in accordance with ASME B30.26 and OEM recommendations. Turnbuckles shall be used in straight (in line) pulls only. Where the danger of rotation exists, the turnbuckle shall be secured by jam nuts. Jam nuts shall be tightened in accordance with OEM instructions.

**14.8.7 Hook Use Criteria.** Hooks shall be selected and used in accordance with ASME B30.10 and OEM recommendations, except as noted. Hooks shall be loaded only in the bowl of the hook. Where slings are supported in a hook, the included angle of the slings shall not exceed 90 degrees, unless otherwise approved by the activity engineering organization. Hooks shall not be loaded at the point or tip. Hooks shall not be side loaded. Duplex (sister or double-barbed) hooks shall be loaded equally on both sides of the hook unless the hook is designed for single-point loading. If the duplex hook is equipped with a lifting hole it shall be marked and tested to its appropriate capacity.

Hooks shall have self-closing latches or the throat opening shall be "moused" (secured with wire, rope, heavy tape, etc.) or otherwise secured to prevent the attached item from coming free of the hook under a slack condition. The following exceptions apply and shall be approved by the activity engineering organization: items where the hook throat is fully obstructed and not available for manual securing; and lifts where securing the hook throat increases the danger to personnel, such as forge shop or dip tank work.

**14.8.8 Swivel Hoist Ring Use Criteria.** Swivel hoist rings shall be selected and used in accordance with ASME B30.26 and OEM recommendations except as noted. They shall be used in threaded holes where they can be installed with the shoulder flush to the face of the mounting surface, unless prior approval is obtained from the swivel hoist ring OEM to install a spacer. If prior approval is obtained to install a spacer, the approval shall be in writing (or e-mail) and all OEM recommendations shall be followed. The minimum thread engagement shall be 1 1/2 times the diameter of the bolt for steel (or threads fully engaged for swivel hoist rings with thread projections less than 1 1/2 times the diameter of the bolt). Where retaining nuts are approved for use, use only those nuts specified by the OEM. Where a nut is used, the nut shall have full thread engagement. It is critical that the OEM recommended installation torque be applied to the attaching bolt. If screwed into a base material of questionable grade or strength, or a permanently affixed nut of questionable grade or strength, or that does not allow minimum thread engagement, the installation torque and rated load shall be reduced as recommended by the OEM or the activity engineering organization. Swivel hoist rings in extended use may experience relaxation of installation torque. Follow OEM instructions for swivel hoist rings in extended use.

**14.8.9 Use Criteria for Blocks.** Blocks shall be selected and used in accordance with ASME B30.26 and OEM recommendations, except as noted. When blocks are used in combination so as to provide mechanical advantage (e.g., block and tackle) the assembly shall be fully engineered and tested as a unit, or alternatively, the activity engineering organization shall verify that each component part has been tested and certified to at least its intended rated load. Blocks shall be selected for the direct



tension they will see rather than the weight of the load. In most cases, the combined tension imposed on a block will exceed the weight of the load. Care shall be used in selecting blocks to ensure that the sheaves are rated for the size of rope being used. When calculating total line pull, consider the friction imposed by the bushings or bearings used in the block. If the type of bushing or bearing is unknown, 10 percent shall be added to the calculated line pull for each sheave in the block to account for friction. Attachment points for blocks shall be approved by the activity engineering organization.

14.9 Below-the-Hook Lifting Devices. Below-the-hook lifting devices shall meet the criteria of ASME B30.20, ASME BTH-1, and OEM recommendations. Custom designed pallets, platforms, hoppers, containers, skids, and similar weight-handling structures shall be treated as below-the-hook lifting devices. Commercially available pallets, platforms, hoppers, containers, skids, and similar weight-handling structures are considered part of the load.

14.9.1 Below-the-Hook Lifting Devices Requiring Assembly and Installation. For those below-the-hook lifting devices that require assembly and installation (e.g., plate clamps, non-standard rigging slings, and special bolt-on lifting fixtures), OEM assembly and installation and inspection procedures shall be followed. Where assembly and/or installation procedures are unclear or unavailable, the activity engineering organization shall be contacted for evaluation and guidance.

14.9.2 Portable Padeyes/Lugs. Bolt-on portable padeyes/lugs shall be treated as below-the-hook lifting devices. The attachment fasteners do not require load testing if the minimum size, grade, and number of fasteners are specified by the activity engineering organization or the padeye/lug OEM.

14.10 Portable Manual and Powered Hoists/Winches and Trolleys, Lever Hoists, Portable Floor Cranes, Portable Gantry/A-frames, and Cranes Integral to Larger Machine Systems. Portable manual and powered hoists/winches shall meet the criteria of ASME B30.16 and OEM recommendations. Portable floor cranes/shop cranes (including attachments used solely on portable floor cranes/shop cranes) shall meet the criteria of ASME PASE and OEM recommendations. Lever hoists shall meet the criteria of ASME B30.21 and OEM recommendations. Ensure that portable hoist load chain welds do not contact load sprockets unless required by the hoist OEM. Other equipment shall meet the criteria of applicable ASME B30 (e.g. trolleys maintained and inspected in accordance with ASME B30.17) and/or OEM recommendations. Activity and Navy experience and equipment usage may be used as a basis for modifying OEM recommended inspection and maintenance programs and shall be approved by the activity engineering organization. Cranes and hoists/winches are not required to be disassembled for inspection, except where problems indicated by these inspections require disassembly for further investigation. However, as a minimum, portable manual hoists shall be disassembled at every sixth annual inspection (disassembled for inspection of gears, brakes, friction discs, chain guides, and other parts susceptible to wear). Interference fit parts do not require disassembly. New cranes and hoists/winches do not require disassembly. Portable gantry/A-frames that are disassembled and reassembled shall either be given a subsequent load test, or shall be disassembled and reassembled using an AEP developed

by the activity engineering organization and approved by the weight handling program manager or certifying official. The procedure shall be developed in accordance with OEM recommendations and provide sufficient signoffs and inspections to ensure critical evolutions are completed. Portable gantry/A-frames shall be traveled in accordance with the OEM instructions and only traveled with a load if explicitly allowed by the OEM instructions. Portable gantry/A-frame structures shall be designed in accordance with AISC 360 (or Aluminum Design Manual) and ASME B30.17. Covers and other items normally supplied to allow inspection shall be opened or removed.

Portable manual and powered hoists/winches shall only be attached to overhead structures of adequate strength to support the weight of the load plus hoist/trolley and rigging equipment. Do not attach portable manual and powered hoists/winches to scaffolding or other equipment unless the equipment is specifically designed for that purpose and is approved by the activity engineering organization.

14.11 Portable LIDs (Dynamometers, Load Cells, Crane Scales, etc.). Portable LIDs shall meet the criteria of ASME B30.26, with additional design criteria as noted in NAVCRANECENINST 11450.2. Attachment of these devices shall be in accordance with OEM recommendations. Portable LIDs shall be calibrated in accordance with the activity's calibration program and the OEM's recommendations. Initial and periodic load testing are not required.

14.12 Lashing. Lashing shall not be used to substitute for standard rigging components (slings, shackles, etc.) where the use of such rigging is practical. Use of lashing shall, as a minimum, comply with the following:

a. Lashing shall be visually inspected annually and immediately prior to each use. Records are required for annual inspections only. The inspection/rejection criteria addressed above for slings shall apply to lashing. Lashing shall be inspected after each use and damaged portions removed prior to reuse.

b. Lashing shall be attached tightly enough to prevent the object to be lifted from slipping out, and shall be installed so as not to damage or crush the object (i.e., the object to be lifted shall be structurally sound enough to support its own weight when lifted by the lashing).

c. The use criteria addressed above for slings shall apply to lashing. Lashing shall be provided with adequate protection from abrasion, cutting, and extreme bearing damage, as applicable.

d. The lashing configuration shall be such that at least two parts of lashing support the load.

e. The lashing shall be marked with its rated load and re-inspection due date.

f. Forged steel wire rope clips shall be used to secure the ends of wire rope lashing. When wire rope clips are used, the rated load of the lashing shall be reduced by 20 percent or by the reduction due to D/d efficiency, whichever is the

greater reduction. Consult the clip manufacturer or activity engineering organization before using wire rope clips on plastic coated or plastic impregnated wire rope. Wire rope clips shall meet the criteria of and be used in accordance with ASME B30.26.

g. Properly tied standard knots or hitches (square knots backed up with half hitches, bowlines, clove hitches, etc.) may be used to secure synthetic rope and webbing lashing. When knots are used, the rated load of the lashing shall be reduced by 50 percent or by the reduction due to D/d efficiency, whichever is the greater reduction.

h. The additional force due to lift angles in the lashing configuration shall be taken into consideration to ensure the rated load (or reduced rated load) of the lashing is not exceeded.

14.13 Insulated Links. Insulated links used as rigging gear shall be visually inspected using guidance from the OEM. The electrical tests specified in appendix E, paragraph 1.5 shall be performed annually.

14.14 Critical Non-Crane Rigging Operations. Critical non-crane rigging operations are rigging lifts that involve a higher than normal level of risk. These operations, if done improperly, could result in personnel injury, significant component damage, or overload to rigging equipment or the supporting structure. These operations include:

a. Rigging that requires precise movement of the load due to tight-tolerance fit-up and rigging gear is the primary method to control alignment (constrained or potentially constrained loads (binding conditions)). This does not normally include components installed on studs/fasteners, routine installation of pumps, motors, or rotors, or when guide pins are used to control alignment.

b. Handling of sensitive electronic cabinets/equipment where overhead clearances are minimal and require special handling arrangements.

c. First time or infrequently performed rigging tasks that require more than normal planning, preparation and/or operational risk management.

d. Rigging of unusually expensive or one-of-a-kind equipment or components.

e. Personnel suspended from rigging.

f. Rigging of hazardous materials, such as poisons, corrosives, highly volatile substances, etc. This does not include oxygen, acetylene, propane, diesel fuel, gasoline in cans, or tanks that are properly secured in racks or stands designed for lifting/handling.

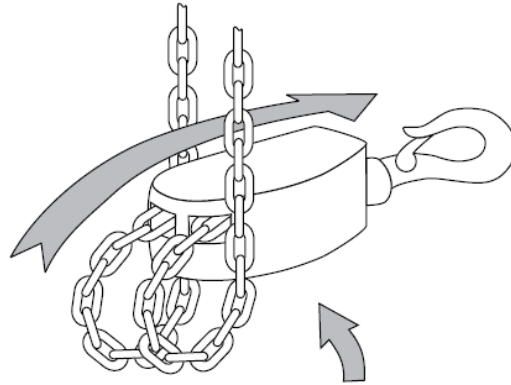
g. Other pre-identified rigging operations involving non-routine or specialized handling requirements, or unusual risk.

14.14.1 Requirements. Activities shall identify critical non-crane rigging operations and prepare procedures (including rigging sketches where required) for conducting these operations. Procedures may be standard written instructions or detailed procedures specific to an operation. A rigger supervisor shall review on-site conditions and shall perform a pre-job briefing to ensure all involved personnel understand the required procedure prior to commencing the operation. The rigger supervisor or working leader shall provide periodic oversight of work in progress.

#### 14.15 Rigging Practices.

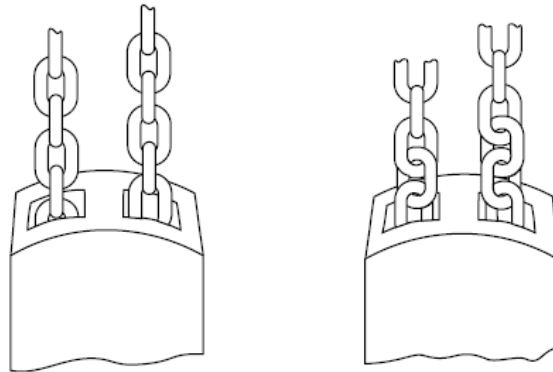
- a Loads shall be rigged so that the load cannot fall out of the rigging. Frapping shall be used where necessary to ensure the load does not fall out of the rigging. When using slings in a sweeping or basket configuration under a load, the load should be balanced and the slings should be secured with frapping to prevent inadvertent shifting or movement of the load.
- b Skips (containers) shall be rigged with three-leg or four-leg bridle slings, and all legs shall be used. When open-end skips are used, means shall be taken to prevent the contents from falling.
- c Ends of unused slings/sling legs shall be secured against inadvertent contact when lifting a load.
- d Items susceptible to falling or dislodgement from the lifted load shall be secured or removed prior to the lift.
- e Pallets shall be of such material and construction and so maintained as to safely support and carry the loads being handled on them.
- f When handling taglines, always face the load, keep hands and feet clear, and do not wrap the tagline around the hands, arms, or any other part of the body.
- g In a choker hitch, a shackle is recommended to be used in the choke point with the shackle pin located in the eye of the sling.
- h A manual hoist is designed to be operated by one person. If more than one person is required to operate the hand chain, the manual hoist may be overloaded.
- i Do not run the load chain all the way out (bitter end) on a chain hoist as this puts extra pressure on the holding pin and does not allow for any payout adjustment once it is hooked into the load.
- j Do not move the load (travel, hoist with a crane, etc.) when it is suspended from a manual chain hoist unless the hand chain is tied off or otherwise secured.
- k When using chainfalls, ensure the chain is not twisted due to the lower block being “capsized”, or twisted as shown in figures 14-2 and 14-3.

Capsized Hook



Make certain the bottom block has NOT been flipped through the chain falls

Figure 14-2 Capsized Hook



Appearance of chain that is Not Twisted

Appearance of chain that Is Twisted

Figure 14-3 Normal and Twisted Chain Appearance

14.16 General Rigging Safety. Loads shall not be suspended or moved over personnel. When it is necessary, personnel may reach under suspended loads for a short duration to install/remove coverings, make attachments, position supports, etc., provided the load is not suspended over the employee's head and the only body parts under the load are the arms. Any reaching under the load shall be approved by the lead rigger. The load shall not be in motion while the employee is reaching under the load. Activities shall minimize the occurrence of reaching under suspended loads. Except for personnel engaged in rigging/unrigging the load or engaged in attaching/removing the load to/from a structure or another component, personnel shall be kept clear of the fall zone (i.e., the area in which it is reasonably foreseeable that partially or completely suspended materials could fall in the event of an accident). Only personnel needed to receive a load are permitted to be within the fall zone when a load is being landed. During a tilt-up or tilt-down operation, only personnel essential to the operation are

permitted in the fall zone (but not directly under the load). A person is essential to the operation if the person is conducting one of the following operations and the supervisor can demonstrate it is infeasible for the person to perform that operation from outside the fall zone: physically guide the load; closely monitor and give instructions regarding the load's movement; or either detach it from or initially attach it to another component or structure (such as, but not limited to, making an initial connection or installing bracing). Personnel shall not place any part of their body in a potential pinch point unless protective measures are provided for such an activity.

14.17 Safe Capacity of Equipment. To avoid overloading rigging gear and miscellaneous equipment, the lead rigger shall know or have a reasonable estimate of the weight to be lifted. If the weight is estimated to exceed 50 percent of the capacity of the hoist or 80 percent of the capacity of the rigging gear, platform/skid, below-the-hook lifting device, etc., the weight shall be verified by performing an engineering evaluation or using a local procedure approved by the weight handling program manager, certifying official or activity engineering organization. Alternatively, an LID shall be used. Where overloading or loss of load (slack line condition) of the rigging, or damage to the load is possible due to binding conditions or pre-tensioning, a portable LID with a readout readily visible to the signal person, designated LID monitor, or lead rigger shall be used when a powered hoist is utilized, and should be evaluated when a manual hoist is utilized. When an LID is used, an appropriate stop point shall be established and the LID shall be carefully monitored to ensure the stop point is not exceeded. This is a critical non-crane rigging lift.

Note: Electrically powered LIDs or other devices used in the vicinity of ammunition and explosives shall meet the HERO requirements of NAVSEA OP 3565.

## APPENDIX A – GLOSSARY

ABRASION. As related to synthetic slings, damage resulting from friction, scrubbing or scuffing from contact with a rough surface, such as a concrete pipe or rough hook.

ACCIDENT. See section 12.

ADJUSTABLE LOAD ALARM OR SHUTDOWN DEVICE. A device such as a load-moment-indicator (LMI) or a load cell, that will warn the operator or stop operation of a crane (or specific function of a crane) when the device senses an overload or impending overload. The device may use the crane's control system or a separate device to warn the operator or stop the operation of the crane or function. The percentage of a crane's or hoist's capacity that initiates the warning or shutdown function can be adjusted by the user.

A-FRAME. On cranes equipped with booms, the structural portion exclusive of the boom above the rotate platform. On derricks, the stationary portion of the structural framing above the foundation or sills.

A-FRAME BLOCK. The lower block of luffing tackle usually integral with the apex of the A-frame. The term luffing block is preferred.

ALTERATION. Any change in the OEM's WHE design configuration. This includes:  
Replacement of parts and components with parts or components not identical with original (i.e., changes in material, dimensions, or design configuration), except as noted in section 6. Addition of parts or components not previously a part of the equipment. Removal of components that were previously a part of the equipment. Rearrangement of parts or components. Alteration of existing parts and materials.

ANCILLARY LIFTING DEVICES. Buckets, magnets, grabs and other supplemental devices, used for bulk lifting loose materials, draglines, pile driving, etc.

ANGLE OF CHOKE. The angle formed in a sling body as it passes through the choking eye or fittings.

AREA DEFINITION DEVICES. Limit switches or other similar devices (e.g., proximity switches) typically used on a mobile crane to define a specific area of operation such as "over-the-front" or "over-the-side" as an input to the operator or crane computer.

AUTOMATIC MECHANICAL LOAD-LOWERING BRAKE. See "MECHANICAL LOAD BRAKE".

AUXILIARY HOIST. A separate hoist system of lighter load capacity and usually of higher speed than the main hoist.

BACKTURN. A twist against the lay of a synthetic rope that cannot be repaired.

**BALLAST**. A weight (usually fixed) added to the non-rotating portion of a crane or derrick to provide the required stability of the crane or derrick as a whole.

**BASKET HITCH**. A method of rigging a sling in which the sling is passed around the load and both loop eyes or end fittings are attached to the lifting device.

**BEAM CLAMP**. A device that attaches to overhead structural steel used for attaching rigging gear or other hardware.

**BEARING DAMAGE**. As related to synthetic slings, damage resulting from the pressure exerted from a load surface onto the sling by a small load radius or high sling pressure.

**BELOW-THE-HOOK-LIFTING-DEVICE**. A device suspended from a crane's hook used for special lifting applications. The device can be a structural, mechanical, magnetic, or vacuum type lifter. For additional descriptions refer to ASME B30.20.

**BINDING CONDITION (Constrained Load)**. The condition that exists when a load being lifted or lowered is not free to move due to an external force such as friction, suction, the object being frozen or rusted to another object, or paint. Additionally, potential for unremoved restraints (e.g., fasteners or welds) due to complexity, number, or location/accessibility.

**BITT**. Double post fitting to which mooring lines from vessels are attached.

**BOGIE**. A short end truck attached to the end of one girder. This type of end truck is used when more than four wheels are required on a crane due to the design of the runway.

**BOLSTER**. The load-bearing crossbeam connecting, equalizing, and aligning a pair of parallel trucks on a two-rail track.

**BOOM**. In crane and derrick usage, an inclined spar, strut, or other long member supporting the hoisting tackle.

**BOOM DEFLECTION**. The amount that a boom deflects downward when lifting a load. This increases the radius of the lifted load. It is more prevalent in mobile cranes than other types of cranes, and more prevalent at longer boom lengths. Also called boom breakover.

**BOOM HINGE**. A pin assembly about which the boom turns when luffed.

**BRAIDED WIRE ROPE SLING**. A type of wire rope sling made from plaiting (braiding) component wire ropes together to form a sling.

**BRAKE**. A device used for retarding or stopping motion by friction or power means (see "HOLDING BRAKE" and "STOPPING BRAKE").



BRIDGE. The main structural and mechanical portion of an overhead traveling crane spanning from one runway rail to the other, consisting of the girders supporting the trolley, the end trucks, the travel drive mechanism, and related parts.

BRIDLE SLING. A sling composed of multiple legs with the top ends gathered in a fitting that attaches to a hook, shackle, or other load handling device.

BUILT-UP HOIST. A hoist that utilizes separate motors, gearboxes, brakes, and drum, typically connected by couplings. This is in contrast to a "PACKAGE HOIST" (see definition below).

BUMPER. A device fastened to a traveling crane or to an end stop to cushion the impact of striking another crane or a runway stop.

CABLE-LAID WIRE ROPE SLING. A type of wire rope sling consisting of several individual wire ropes laid as strands around a wire rope core.

CAGE. A partially open circular ring that retains, spaces, and aligns the balls or rollers of an anti-friction bearing, or the rollers or wheels of a roller path.

CAPACITY. The maximum rated load that a crane is designed to handle. Designated limit of operating characteristics based on specific conditions.

CAPSTAN. A stationary vertical shaft/drum for winding rope or chain for hoisting or hauling purposes.

CARGO. Any materials or equipment intended for transport to other ships or shore activities.

CARGO TRANSFER. The loading, unloading, moving, or handling of cargo into, in, on, or out of any vessel.

CENTER STEADIMENT. A pair of male and female castings or weldments, one connected to the fixed portion and the other to the revolving superstructure of a crane, for the purpose of maintaining the position of the center of rotation of the superstructure and of spider and cage of the roller path when used. When a center steadiment is used, the kingpin threads through it.

CERTIFYING OFFICIAL. The individual(s), designated by the activity commanding officer, responsible for ensuring the activity's cranes are inspected and tested in accordance with the requirements herein, and that the cranes are safe to use for their intended purposes.

CHAFING BLOCK. Wood or brass wear plate used to prevent excessive wear or damage to cable.

CHAINFALL. A portable hand-chain-operated chain hoist used for lifting, pulling or tensioning applications.

CHAIN SLING. A sling fabricated from Grade 80 or Grade 100 alloy steel chain and attachments (i.e., links, rings, upper and lower hooks).

CHOKER HITCH. A method of rigging a sling in which one end of the sling is passed around the load, then through itself, an eye opening, an end fitting, or other device, and attached to the lifting device.

CIVIL ENGINEERING SUPPORT EQUIPMENT (CESE). A procurement budget term referring to equipment for which NAVFACENGCOM has the responsibility for determining requirements, procuring, and assigning as defined by NAVFAC P-300. The equipment includes automotive vehicles, construction, railway, firefighting, and mobile weight handling equipment. Portal, gantry, jib, floating, derrick, and other facility cranes normally fixed are not classified as CESE.

CLEAT. A mooring fitting having two horizontal arms to which mooring lines are secured.

COLLECTORS. Contacting devices for collecting current from the runway or bridge conductors. On rotating cranes, a ring and brush assembly that provides a means for conducting electrical power between a stationary and a rotating member or component.

COMMANDING OFFICER. For the purposes of this document, the term is understood to be defined as the person in charge at the activity. This could be a commanding officer, officer-in-charge, senior non-commissioned officer, director, senior civil servant, or other designated person for a contractor-run organization.

COMMERCIALLY AVAILABLE. For the purposes of this document, this term has the same meaning as the NAVCRANECENINST 11450.2 term "standard commercial" or "off-the-shelf"; those items, components, or assemblies readily available from manufacturers specializing in the design and production of such items.

CONDUCTOR. A metal bar, shape, or wire used to conduct electric current.

CONSTRUCTION. Work activities that are construction, alteration, or repair as defined by OSHA under 29 CFR 1926. This does not include work covered under the general industry standard, 29 CFR 1910, shipyard industry standard, 29 CFR 1915, marine terminal industry standard, 29 CFR 1917, or longshoring industry standard, 29 CFR 1918. For further clarification, consult the local activity safety office.

CONSTRUCTION EQUIPMENT. The term "construction equipment" means all mechanical equipment used in the construction, alteration, or repair of buildings, bridges, roads, or other kinds of real property. It includes pile drivers, power shovels and cranes with special attachments, road rollers, tractors, scrapers, plows, street sweepers, sprinkle carts, portable boilers, pumps, and air compressors. It also includes such stationary machines and mechanical apparatus as rock crushing plants, concrete batching and mixing plants, and similar equipment used exclusively in the construction

and maintenance of public works. When used as a general term, "construction equipment" includes mobile weight handling equipment as defined by NAVFAC P-300.

CONTACTOR. A device, operated other than by hand, for repeatedly establishing and interrupting an electric power circuit.

CONTAINER SPREADER. A fixed or telescoping frame, typically attached to the headblock of a container crane, which is used for lifting shipping containers.

CONTRACTING OFFICER. For the purposes of this document, the person with the overall responsibility for contracts at an activity.

CONTROL PANEL. An assembly of electrical components that governs the flow of power to or from a motor in response to signals from master switch, push button station, or remote control.

CONTROLLER. A device or group of devices that serves to govern, in some predetermined manner, the power delivered to the motor to which it is connected.

COUNTERWEIGHT. Weight(s), usually attached to the rotating part of a crane, to provide stability to the rotating superstructure.

COUPLING LINK. A forged, welded, or mechanically closed link used to join alloy steel chain to a master link or to a master coupling link.

CRANE ATTACHMENT. A structural and/or mechanical component added to a piece of materials handling equipment (forklift) or equipment covered by NAVFAC P-300 (backhoe, front-end loader) that extends the load center of the machine beyond the machine's existing capability without the component.

CRANE BASE. The portion of the supporting structure immediately below the rotating portion of a crane. On land cranes, it is a portion of the portal, underbody, carrier, or car body. On floating cranes, it is that portion of the framing extending down to the deck of the barge or pontoon.

CRANE CLEARANCE. The distance from any part of the crane to the point of nearest obstruction.

CRANE OPERATION. The use of a crane, loaded or unloaded when an operating envelope has been established (or is being established), includes setup/breakdown of mobile cranes and relocation of crane or hook (e.g., travel or rotate of portal crane, bridging or trolleying a bridge crane, or rotation of a jib crane).

CRANE STRUCTURE. A jib crane, bridge crane, monorail, or davit that does not have a permanently mounted hoist.

CREEP SPEED. A very slow, constant, continuous, fixed rate of motion of the hoist, trolley, or bridge. Usually established at 1 to 10 percent of the normal full load speed.

CRITICAL CRANE. A crane performing work under the cognizance of NAVSEA 08, an ordnance-handling crane, a hot-metal handling crane, a crane that handles high value or one of a kind loads, or any crane the absence of which would significantly jeopardize the activity's mission.

CUSHIONED START. An electrical or mechanical method for reducing the rate of acceleration of travel motion.

CUTTING. As related to synthetic slings, damage caused by a corner or an edge (load edge is 90 degrees or less). With moderate pressure a sling may be cut (e.g., machined surface, steel box beam).

D/d RATIO. The ratio of the diameter of the pin, hook, sheave, or other object a running rope, sling, or lashing is bent around, divided by the diameter of the running rope, sling, or lashing (component rope diameter for braided component diameter for braided or multi-part sling). When slings and lashing are bent around a corner, it is the ratio of the curvature taken by the sling or lashing (D) and the diameter of the rope or chain (d).

DAVIT. A type of jib crane traditionally associated with raising and lowering a boat out of and into the water. It is also traditionally in the form of a gooseneck design. A "crane davit" is a davit mounted on a crane typically used for crane maintenance purposes.

DEADMAN SWITCH. A control interlock activated by the operator that prevents operation of the control unless the interlock is activated. May be a button, lever, or other type of switch integrated with or independent of the control lever. When the deadman switch is released the motion stops.

DEAD END. The fixed end of a rope or cable on a crane, derrick, or hoist.

DRAFT. Depth of vessel hull below the water line.

DRIFT. Motion after the power is cut off. Also means the change of hook radius due to load.

DRIFT POINT. An operating position of a motor control circuit in which all power is cut off from the motor but the electric brake remains energized allowing the driven load to drift or coast.

DRIVE. The assembly of the motor and gear unit used to propel the bridge or trolley.

DRUM. The cylindrical member around which the hoisting rope is wound for lifting or lowering the load.

DUTY. A requirement of service that defines the degree of regularity of the load. It is determined by the kind of loads to be handled and the facility to be served.

DUTY CYCLE. A complete operation from preparation for lifting a load to its final deposition, or a series of such movements, the kind, amount, sequence, frequency,

duration, and period of work performed. A factor in determining mechanical, control, and electrical duty classification and the design ratings of engines, generators, motors, gearing, clutches, brakes, bearings, and other parts.

DYNAMIC BRAKING. Braking a driven load by connecting an electrical control and motor circuit so that the motor becomes a generator under an overhauling load, absorbing energy from the load and returning it to the power input line, or wasting it as heat in special resistance, or both.

| DYNAMOMETER. Typically, a calibrated scale between the hook of a crane and a load used to measure load weight.

EDDY CURRENT BRAKE. A brake consisting of a stationary magnetic field, usually variable, and a metallic rotor through which braking forces are exerted electromagnetically by the induced eddy currents in the rotor, the rotor absorbing the energy of motion, and dissipating it as heat. An eddy current brake can slow down but cannot stop a moving load.

ELECTRIC CONTROL OR CONTROLLER. A device or group of devices that serve to govern, in a predetermined manner, the electric power delivered to the apparatus to which it is connected. Some of the basic functions are the control of acceleration, deceleration, line closing, and reversing.

| ENCLOSURE. A housing used to contain electrical components, usually specified by a NEMA classification number.

| END ATTACHMENTS. Attachments (e.g., hooks, shackles, rings) used for connecting a sling to a load.

| END TIE. A structural member, other than the end truck that connects the ends of the girders to maintain the squareness of the bridge.

| END TRUCK. A unit consisting of truck frame, wheels, bearings, axles, etc., that supports the bridge girders.

ENDLESS WIRE ROPE SLING. A wire rope sling made endless from one continuous length of wire rope with the ends joined by one or more swaged fittings.

| ENTERTAINMENT HOIST. A hoist or crane not used in an industrial application, but used in a theatre, auditorium, stage, arena, assembly hall, gymnasium, or athletic facility. They are typically permanently connected to a load, such as lights, speakers, curtains, theatre sets or staging and designed and operated to specific standards for the entertainment and recreation industry. These hoists are covered in section 13. For the purposes of this manual, hoists that are used to pivot but not support a load (e.g., a hoist used to pivot a basketball goal supported by a structure) are not considered entertainment hoists.

EQUALIZER. An engineered device that automatically adjusts for equal distribution of the load.

EQUALIZER BEAM. A beam or other fabricated structure used between two hooks or other lifting attachments, on one or more cranes, to share the load between lifting attachments. The load may be equally or unequally applied, based on the rated capacities of the hooks or other lifting attachments from which the equalizer beam is suspended.

EQUALIZER SHEAVE. A sheave used to equalize tension in opposite parts of a rope. Because of its slight movement, it is not termed a running sheave.

EYE PIN. The pin used to attach an eye hook to a crane's hook block, e.g., to an overhaul ball assembly on a whip hoist.

FAIL-SAFE. A provision designed to automatically stop or safely control any motion in which a malfunction occurs.

FALL ZONE. The area in which it is reasonably foreseeable that partially or completely suspended materials could fall in the event of an accident.

FENDER. A protective system installed around the hull of a floating vessel.

FITTINGS. Any load bearing hardware used to fabricate a sling such as a swage sleeve or coupling link, or an end attachment such as a hook or master link

FLEET ANGLE. The angle formed by the lead of a rope at the extreme end of a drum with a line drawn perpendicular to the axis of the drum through the center of the nearest fixed sheave (expressed in degrees).

FLEETING SHEAVE. A sheave that moves along its supporting shaft or pin.

FLOAT. In connection with portal crane trucks, float is the total amount of lateral movement of the pairs of trucks on both sides of a crane that is permitted by their construction.

FLOOR-OPERATED CRANE. A crane that is pendant or radio controlled by an operator on the floor or an independent platform.

FLOUNDER PLATE. A triangular plate with a hole on top and two holes on the bottom, used to distribute a load.

FOOTWALK. The walkway with handrail and toe boards attached to the bridge or trolley for access purposes.

FRAPPING. Also known as "body and soul" or "backlashing". Tight wrapping around the load and support rigging gear utilized to keep the load attached or centered in the rigging.

FREEBOARD. The distance from the main or weather deck on a floating vessel to the water line.

GANTRY. A framework supported at each end so that it spans a distance, used for carrying a traveling crane. For mobile cranes, gantry refers to the structural frame, extending above the superstructure (rotating upper frame), to which the boom support ropes are reeved.

GANTRY CRANE. A crane whose bridge is rigidly supported on two or more legs running on fixed rails or other runway.

GENERAL SAFETY DEVICES. Safety devices, such as bells, horns, and warning lights, that provide protection for operation and maintenance personnel and equipment on, or in the operating path of, cranes.

GIRDERS. The principal horizontal beams of the crane bridge that support the trolley and are supported by the end trucks.

GROMMET WIRE ROPE SLING. A wire rope sling that is an endless circle fabricated from one continuous length of wire rope or strand.

GROUND FAULT. An accidental conducting connection between the electrical circuit or equipment and the earth or some conducting body that serves in place of the earth.

GUDGEON. A vertical pin about which a travel truck (or its associated equalizers or bolsters) pivots in a horizontal plane and on which the weight of the truck usually bears.

GUDGEON PIN. Horizontal pins (some of which float) connected to gudgeons that carry the weight of a crane to the trucks or equalizers, and on which the gudgeons pivot in a vertical plane.

HAND-TUCKED SPLICE. A loop or eye formed in the end of a rope (wire, or synthetic) by tucking the end of the strands back into the main body of the rope in a prescribed manner.

HEADACHE BALL. A heavy weight attached above the hook on a single line or whip hoist to provide sufficient weight to lower the hook when unloaded (also called an "overhaul ball").

HEALTH CARE PROFESSIONAL. A person who is licensed, certified, and/or registered, in accordance with applicable state laws and regulations, to perform physical examinations. The term includes, but is not limited to, doctors of medicine, doctors of osteopathy, physician's assistants, advanced practice nurses, and doctors of chiropractic.

HOIST. A machinery unit that is used for lifting and lowering a load.

HOIST EQUALIZERS. Hydraulic motors controlled by switches in the operator's cab that drive an equalizer sheave to adjust sling spacing and the amount of wire rope wraps on hoist drums on certain types of mobile boat hoists.

HOIST ROLL BACK. An inherent condition due to insufficient motor torque (but should be measured at the hook), that allows a hoisted hook load to lower when the hoist controller is moved initially into the hoisting position or as the controller is returned to neutral. Minor movement or oscillation of the motor shaft is not considered hoist roll back.

HOIST ROLL UP. On solid state controlled hoists, the distance a hoisting drive block rises when the controller is placed in the lowering direction. This roll up is due to torque proving circuits in the hoist direction that ensure the drive is capable of restraining a load before releasing the holding brakes.

HOLDING BRAKE. A brake that applies after the function (hoist, bridge, trolley, rotate, etc.) has been brought to a stop (contrast with stopping brake).

HOOK LATCH. A device used to bridge the throat opening of a hook.

HOOK ROLLER. A roller attached to the underside of the rotate platform, rolling under a projecting flange (usually attached to the lower roller path) to prevent the rotate platform from overturning.

DUPLEX HOOK. A hook with two symmetrical barbs from a common shank. (Also known as "double-barbed hook" or "sister hook").

HOTEL POWER. Electrical power provided by an off-crane source utilized to run ancillary equipment on the crane such as lighting, air compressors, computer drives, etc. This type of power is referred to in some drawings or manuals as "ancillary shore power". This power is not used or intended to be used to run crane drives such as hoist, travel, or rotate (see "SHORE POWER").

HYDRAULIC BRAKE. A brake that provides retarding or stopping motion by hydraulic means.

IDLER SPROCKET. A freely rotating device that changes the direction of the load chain.

INTEGRAL LIFTING ATTACHMENTS. Lifting attachments that are fabricated or formed (welded, cast, or molded) as integral parts of (i.e., permanently attached to) the component or equipment to be lifted. Internal threads in tapped holed are considered integral lifting attachments.

INTERLOCK. A device that permits the operation of equipment only after pre-established conditions have been fulfilled, and stops the operation when conditions change.



INSULATED LINK. A component normally installed between the hook and the lifting wire rope or lower load block or below the hook to prevent the flow of electrical energy. Insulated links are primarily used when there is the possibility of contact between weight handling equipment and electrified power lines or when radio frequency energy may collect on the weight handling equipment structure. Insulated links are used extensively in the handling of ordnance.

JIB CRANE. A boom or arm supporting a trolley or chainfall, fitted to swing in sockets attached to a wall or column. The arm is generally fixed in the vertical direction but free to rotate horizontally.

JOGGING (INCHING). The rapidly repeated closure of a circuit to start a motor from rest for the purpose of accomplishing small movements of the driven machine.

KINGPIN (CENTERPIN). A vertical steel pin or hollow tube located at the center of rotation of a crane for the purpose of aiding in preventing overturning of the superstructure and also for maintaining the center of rotation in position. (See "CENTER STEADIMENT.")

LASHING. Wire rope, synthetic rope, or synthetic webbing (without permanent end fittings) that is used for wrapping around and securing an object to provide a point or points from which to lift the object, or attaching to an approved structure to serve as a point from which to rig.

LATCHING BOOM CRANE. A type of hydraulic telescoping boom crane where the telescoping sections can latch or pin in place at various boom lengths. The crane may or may not have a telescoping capacity or may have different capacities for extension and retraction.

LAY LENGTH OF WIRE ROPE. The distance along a wire rope in which a strand makes one complete turn around the rope's center.

LEVER HOIST. A manually operated hoist (utilizing chain, wire rope, or synthetic webbing) with ratchet, pawl, and friction brake used for lifting, pulling, and tensioning applications.

LIFT. Maximum safe vertical distance through which the hook, magnet, or bucket can move.

LIFT CYCLE. Single lifting and lowering motion (with or without load).

LIFTING LUG. An appendage affixed as an integral or non-integral part of the component and used for the attachment of weight handling equipment.

LIMIT SWITCH. A device designed to cut off power automatically at or near the limit of travel for the crane motion or a generic device designed to provide feedback to the

control system with respect to the relative state or position of various functions of a crane drive or other system.

LIST. The angle of inclination about the longitudinal axis of a barge or pontoon.

LIVE BOOM. A boom that is lowered by gravity solely under the control of the boom hoist drum brake.

LOAD BEARING PARTS. Those parts of WHE that support the load and upon failure could cause dropping, uncontrolled shifting, or uncontrolled movement of the load. Backup components to primary load bearing parts, such as secondary brakes, shall also be considered as load bearing parts. See appendix F for additional examples of load bearing parts.

LOAD BRAKE. A brake that provides retarding force without external control.

LOAD CELL. The load measuring device in a system intended to aid the operator or rigger by continuously monitoring the load and warning to an approach to an overload condition.

LOAD CONTROLLING PARTS. Those parts of WHE that position, restrain, or control the movement of the load (e.g., rotate and travel brakes, clutches), a malfunction of which could cause dropping, uncontrolled shifting, or uncontrolled movement of the load. Crane mounted diesel engines, generators, electrical power distribution systems, and electrical control circuits, associated with the movement of the load, shall be treated as load controlling parts except as noted. Backup components to primary load controlling parts, such as secondary brakes, shall also be considered as load controlling parts. See appendix F for additional examples of load controlling parts.

LOAD INDICATING DEVICE (LID). Generic term for a device (on a crane or portable) that monitors and displays the weight of the load but does not warn the operator or prevent movements of the crane.

LOAD MOMENT INDICATOR (LMI). A device, typically on a mobile crane, that automatically monitors and displays load, radius, boom configuration and capacity, warns the operator of an overload condition, and prevents movements of the crane that would result in an overload condition.

LOAD SPROCKET. A hoist component that transmits motion to the load chain.

LOAD WARNING DEVICE. A device such as a rated capacity indicator, that may or may not be independent of a crane's control system, that will warn the operator of an impending overload to the crane or function but does not stop operation of the crane or function. The device may or may not be adjustable.

LUFFING. A radial in and out movement of the load by the raising or lowering of a crane or derrick boom.

MAGNETIC CONTROL. A means of controlling direction and speed by using magnetic contactors and relays.

MAGNETIC LIFTER (CLOSE PROXIMITY OPERATED). A below-the-hook lifting device that uses a lifting magnet in such a fashion that the operator manually positions the magnet on the load, and manually guides the load during a lift.

MAGNETIC LIFTER (REMOTE OPERATED). A below-the-hook lifting device that uses a lifting magnet in a way that does not require an operator or other personnel to be in close proximity to the magnet or load while in use.

MAINTENANCE LIFT. A lift made while the crane is out of service for performing maintenance or troubleshooting on the crane itself such as calibration of LMIs/LIDs, setting of hydraulic relief valves, lifting and setting of test weights. It does not include lifting of supplies or equipment supporting crane maintenance.

MAIN HOIST. Hoist system used for raising and lowering loads up to the maximum rated load of the crane.

MAJOR DEFICIENCY. A deficiency of a load bearing or load controlling part or operational safety device that hinders the safe operation or reduces the load bearing or load controlling capability of the equipment or component.

MASTER LINK. Forged or welded steel link (round, pear, or oval in shape) used to gather all legs of a bridle sling.

MASTER COUPLING LINK. A coupling link used as an intermediate link to join two or more alloy steel chains to a master link.

MASTER SWITCH. A switch, usually in low current and low voltage circuits and operated by a crane or hoist operator, that dominates the operation of other control devices most often of greater current and voltage, such as contactors, relays, and other magnetically operated devices.

MATERIALS HANDLING EQUIPMENT (MHE). This term includes all self-propelled and conveyor equipment normally used in storage and materials handling operations in and around warehouses, shipyards, industrial plants, airfields, magazines, depots, docks, terminals and on board ships. Included are warehouse tractors, forklift trucks, rough terrain forklift trucks, platform trucks, straddle carrying trucks, and automated material handling systems. Also included are driverless tractor systems, stock selector systems, storage/retrieval systems, stacker crane systems, pallet movement systems, and intra-depot transporter systems for warehouse applications. Excluded are construction and gantry/portal cranes, overhead electric traveling cranes, and non-portal shipboard conveyor systems. See OPNAVINST 4460.1, and NAVSUP P-538.

MECHANICAL LOAD BRAKE. An automatic type of friction brake used for stopping or controlling loads in the lowering direction. This unidirectional device requires torque

from the motor to lower a load but does not impose additional load on the motor when lifting a load.

MECHANICAL SPLICE. A splice formed by swaging one or more metal sleeves over the wire rope to form a loop or eye.

MOBILE BOAT HOIST. A straddle type self-propelled or towed type carrier crane consisting of a steel structure supported by wheels designed to straddle, carry, and lift vessels in and out of the water.

MULTI-PART SLING. A wire rope sling with more than one component rope in the body. The component ropes may be cable laid or braided.

MULTI-PURPOSE MACHINE. A machine that is designed to be configured in various ways, at least one of which allows it to hoist (by means of a winch or hook) and horizontally move a suspended load. This includes machines that are sometimes referred to as telescopic handlers or rough-terrain forklifts.

OEM. The original equipment manufacturer or a company that has obtained the rights to the equipment design or manufacture.

OPERATIONAL SAFETY DEVICES. Safety devices that affect the safe load lifting and handling capability of the equipment, such as interlocks, limit switches, load/load moment and overload indicators with shutdown capability, anti-two-block limit switches with warning capability, emergency stop switches, radius indicating devices, and locking devices. See appendix F for additional examples of operational safety devices.

OPERATOR'S CAB. The operator's compartment from which movements of the crane are controlled. May be specified as open, having only sides or a railing around the operator, or enclosed, complete with roof, windows, etc.

OUTRIGGER/STABILIZER. An extendable or fixed member attached to the mounting base, which rests on supports at the outer ends used to support the crane. May or may not be capable of supporting the entire weight of the crane and load.

OVERHEAD ELECTRIC TRAVELING CRANE. An electrically operated machine for lifting, lowering and transporting loads, consisting of a movable bridge carrying a fixed or movable hoisting mechanism and traveling on an overhead runway structure.

OVERLOAD. Any load greater than the rated load.

OVERLOAD PROTECTION (OVERCURRENT). A device operative on excessive current to cause and maintain the interruption or reduction of current flow to the equipment governed.

PACKAGE HOIST. A commercially designed and mass-produced hoist characterized by the motor, gearing, brake(s), and drum contained in a single package often connected by the use of c, d, or p-face flanges. This is in contrast to a "built-up" hoist,

which utilizes separate motors, gearboxes, brakes, and drum typically connected by couplings.

PADEYE. A portable or fixed eye secured to structural members or through holes in structural members, used for attachment of rigging gear.

PARKING BRAKE. A friction brake for a bridge, trolley, or rotate mechanism, automatically applied when power to the crane is interrupted.

PAWL. A gear locking device.

PENDANT. A wire rope, strand, or bar of specified length with fixed end connections typically used to support a boom or jib.

PENDANT CONTROLLER (PUSH BUTTON STATION). A device suspended from the crane permitting operation of the crane from the floor or other remote location.

PERFORMANCE. The effective operation of any device. The manner or behavior of equipment in operation.

PERSONNEL PLATFORM. A platform used for lifting personnel with cranes. It is either suspended from the crane by wire rope or chain slings, or directly attached to the crane.

PLUGGING. Creating a braking motion with an electric or hydraulic motor by applying energy to reverse the motor.

PORTABLE FLOOR CRANE. A self-contained lifting device characterized by a pair of laterally spaced legs, an upright mast, pivoting boom with a boom extension, and hook which is used to raise and lower loads.

PORTABLE GANTRY/ A-FRAME. A portable structure, similar to an overhead bridge crane, except that the bridge for carrying the trolley is rigidly supported on two or more legs usually with wheels.

PORTABLE LOAD INDICATING DEVICE. A portable device or system intended to aid the operator or rigger by continuously monitoring the load weight and providing a visual indication of the total load. Some devices may also provide audible warning to the approach of an overload condition.

PORTABLE HOIST. A manual or powered hoist that is considered portable and not used in a permanent location.

POURED SOCKET. A fitting into which a broomed and degreased wire rope or strand is inserted. The wire rope or strand is then secured by filling the socket bowl with special molten metal, typically pure zinc (spelter), or resin material.

PROXIMITY ALARM. A device that provides a warning of proximity to a power line or other object.

RADIUS. The horizontal distance from a projection of the axis of rotation to the ground or water line, before loading, to the center of the hoist line(s) with load applied ("radius" and "reach" as used for cranes are synonymous).

RATED CAPACITY INDICATOR (RCI). A device, typically on a mobile or articulating boom crane, that automatically monitors load, radius, and capacity, and warns the operator of an overload condition.

RATED CAPACITY LIMITER (RCL). A device, typically on a mobile or articulating boom crane, that automatically monitors load, radius, and capacity, warns the operator of an overload condition, and prevents movements of the crane that would result in an overload condition.

RATING. Designated limit of operating characteristics based on specific conditions.

REACTOR. A device that introduces reactance into an AC circuit for such purposes as motor starting, paralleling transformers, and control of current.

REEVING ARRANGEMENT. A plan showing the path that a rope takes in adapting itself to all sheaves and drums of a piece of equipment.

REGENERATIVE BRAKING. In crane and hoist usage, braking a driven load that becomes overhauling by virtue of overspeed beyond the synchronous speed of an AC motor, the motor then becoming a generator that absorbs energy from the overspeeding load and returns it to the power input line or resistor bank.

RELAY. A device that is operative by a variation in the conditions of one electric circuit to effect the operation of other devices in the same or another electric circuit.

RELIABILITY. A measure of how often equipment breaks down or is available for service. Many different measures may be used. When used as a metric, the actual metric used is not as important as consistency so metrics or changes in metrics may be compared and evaluated.

REMOTE-OPERATED CRANE. A crane controlled by an operator not in a pulpit or in the cab attached to the crane, by any method other than pendant or rope control.

REVERSE ENGINEERING. Using engineering methods to determine an original process, material, component, or design when the original is unknown. With respect to NAVFAC P-307, this would entail performing and documenting sufficient tests and/or calculations to ensure the reverse-engineered component is identical to the original.

RIGGING OPERATION. The use of rigging gear and associated equipment, without a crane, when an operating envelope has been established or is being established (e.g., drifting of a load, horizontal pulling of a shaft, usage of a portable hoist).

RING. A forged or welded steel link used to gather all legs of a bridle sling.

| ROLL BACK. See "HOIST ROLL BACK".

ROLLER CLEARANCE. Distance between rollers and roller path on portal and floating cranes that have a balance deck platform design. Roller clearance is not necessarily indicative of crane instability, but can be the result of normal dynamic undulation of the roller path or the roller path supporting members, undersized rollers, misaligned roller axles, roller race connectors, rail splices, etc.

ROLLER LIFT-OFF. Roller clearance comprising approximately 60 percent or more rollers in the roller path quadrant under the counter weight with the boom at maximum radius and maximum load or the quadrant under the boom heel pin with the boom at minimum radius and no load.

ROLLER PATH. The circular rails or flat tracks or conical surface tracks on which rollers or wheels travel.

| ROTATE BEARING. See "SLEWING RING BEARING".

ROTATE PLATFORM (TURNTABLE). That part of a rotating crane immediately above the roller path supporting the machinery, the machinery house, and cab.

| RUNNING SHEAVE. A sheave that rotates as the hook or boom is raised or lowered.

| SHACKLE. A U-shaped fitting with a pin across the throat used as connection between lengths of chain or to attach other fittings.

| SHALL. As used in this publication, a word indicating a requirement.

| SHIP'S STORES. Materials and equipment intended for the use and consumption by a ship in carrying out its mission; this includes vehicles, materials, equipment, and supplies for the use of the ship and crew.

| SHORE POWER. Electrical power provided by an off-crane source utilized to run crane drives such as hoist, luffing, travel, or rotate.

| SHOULD. As used in this publication, a word indicating a recommendation.

SHUNT. A conductor of one of many forms joining two points in a circuit to form a parallel or bypass circuit through which a portion of the current may pass for the purpose of regulating the relative electrical characteristics of various portions of the circuit.

| SIGNIFICANT ACCIDENT. An accident that typically has a greater potential to result in serious injury or substantial property damage. The following accident types are considered significant accidents: injuries (regardless of severity), overloads, dropped loads, two-blocks, crane derailments, or contact with overhead electrical power lines. Other types of accidents that result in OPNAV Class A, B, C, or D reporting thresholds for material property damage are also considered significant accidents.

STRAIGHT-LINE (VERTICAL) HITCH. A method of rigging a sling by a single part or leg of the sling in a straight-line configuration. Previously known as a vertical hitch.

SKIP. An open top container used to carry material, usually waste, by a specially designed truck.

SLACK LINE. A condition on a hoisting rope when there is no tension load on the rope.

SLEWING RING BEARING. A large, precision machined ring bearing connecting the stationary and rotating portions of portal, floating, and mobile cranes.

SLING. An assembly used for lifting when connected to a lifting mechanism at the sling's upper end and when supporting a load at the sling's lower end.

SLING ADJUSTMENT SYSTEM. Hydraulic cylinders controlled by switches in the operator's cab on certain types of mobile boat hoists that move certain hoists fore and aft to position slings in the optimum position under boats to be lifted.

SMOOTH. Motion without any hesitation, abnormal vibration, binding, gross shimmy, or irregularity.

SPEED POINT. One of a series of circuits and associated electrical control devices that control the various speeds and directions of a motor.

SPELTERED SOCKET. See "POURED SOCKET".

SPIDER. The radial member connecting the roller cage with the center steadiment to maintain the true circular path of the rollers and to resist the outward thrust of the rollers.

SPREADER. A beam or bar used for holding apart two or more lifting slings that suspend a load having two or more lifting attachments. A spreader may be suspended from a crane or hoist using one or more lifting attachments.

SPUD LOCK. A device consisting of a spud and socket used for the purpose of preventing motion of the rotating structure of a crane while idle. Also known as a rotate lock.

STABILIZER. See "OUTRIGGER/STABILIZER".

STOP. A fixed obstruction designed to contact the bumper of a traveling crane or trolley.

STOPPING BRAKE. A brake that applies while the function (hoist, bridge, trolley, rotate, etc.) is still in motion (contrast with holding brake).



SWIVEL EYE BAR. An extension of a hook shank on an articulated duplex sister hook that is pinned to the hook.

SWIVEL HOIST RING. A threaded fixture used as an attachment device for lifting loads, similar to a shouldered eye bolt, but capable of swiveling 180 degrees and rotating 360 degree with no reduction in capacity.

SYNTHETIC ROPE SLING. A rope sling manufactured from a synthetic fiber (e.g., nylon, polyester, Dyneema).

SYNTHETIC ROUND SLING. An endless sling manufactured from synthetic fiber yarns (e.g., nylon, polyester, Dyneema) covered by a tubular jacket.

SYNTHETIC WEBBING SLING. A sling manufactured from nylon or polyester webbing.

TAGLINE. A fiber rope (not wire rope) attached to the load for the purpose of controlling, rotating, or preventing rotation of the load.

TEST LOAD. Any load or force, expressed in pounds, used for testing, the magnitude of which is known within acceptable tolerances.

THIRD PARTY CERTIFICATION. Certification of floating cranes used in shipbuilding, ship repair, or shipbreaking operations and all types of cranes and certain related gear used in cargo transfer by an OSHA approved certification agency. This certification is in addition to the annual certification requirements of section 4.

TRANSIT. The moving or transporting of a mobile crane (category 1 or 4) from one jobsite to another when the crane is configured in accordance with OEM instructions for this procedure (boom stowed, block tied back or secured, etc.).

TRAVEL. The horizontal motion of a crane or its parts (such as a trolley). Also, the movement of a mobile crane under its own power from one location to another on a jobsite or construction site with or without load.

TRIM. The angle of inclination about the transverse axis of a barge or pontoon.

TROLLEY. A wheeled carriage designed to support and transport a suspended load. The term includes all integral associated equipment for hoisting, and propelling the load.

TRUCK. The complete unit of frame, wheels, integral driving, and associated equipment that supports a traveling crane or traveling portion of a crane, such as a trolley.

TURNBACK SWAGED EYE SPLICE. A mechanical splice in which the wire rope is looped back on itself and secured with one or more metal sleeves. Also called return loop or loopback swaged eye splice.

TURNBUCKLE. A device normally attached in line with a sling(s) for making limited adjustments in length, by turning a threaded barrel attached to right hand and left hand threaded end connections.

TWO-BLOCK. Over-hoisting by direct hoisting or indirectly by lowering the boom or telescoping the boom so that the hook block and the upper sheave assembly or trolley/hoist frame come in contact, resulting in possible damage to the structure, parting of the hoist line, and dropping of the load.

VACUUM LIFTER. A below-the-hook lifting device for lifting and transporting loads in a fixed attitude using a vacuum as the holding force.

VALIDATION. Second level approval by the Navy Crane Center of the activity certification of cranes used in special purpose service, normally consisting of complete record review, independent condition inspection, and verification of the proper conduct of the crane condition inspection and load test performed by the activity.

WEIGHT HANDLING EQUIPMENT. Cranes (e.g., portal cranes, mobile cranes), rigging gear (e.g., slings, shackles), and associated equipment (e.g., portable hoists, portable LIDs).

WEIGHT HANDLING OPERATION. A crane or rigging operation.

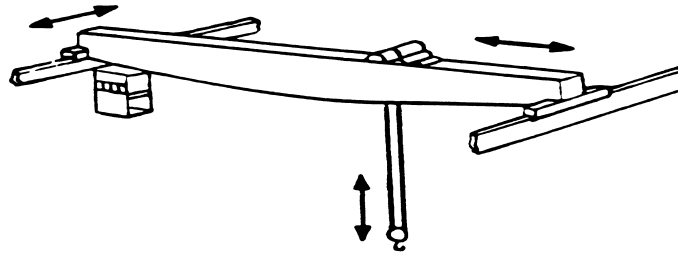
WEIGHT HANDLING PROGRAM MANAGER. The individual(s) designated by the activity commanding officer responsible for the overall weight handling program.

WHIP HOIST. A hoist using a single line to the hook without intervening tackle. Used for light loads and fast speeds.

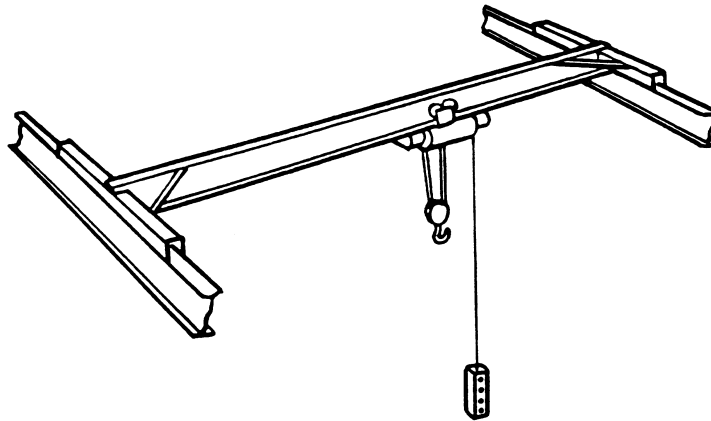
WIND LOCK. A means, usually a spud lock, for preventing the motion of a crane that might be caused by the action of the wind.

WIRE ROPE SLING. A sling fabricated from wire rope, usually fabricated with an eye at each end.

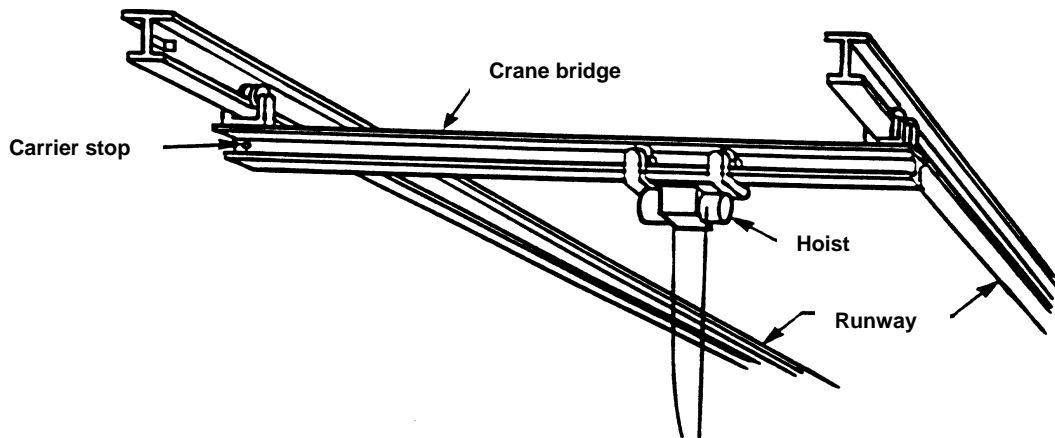
## APPENDIX B - TYPES OF WEIGHT HANDLING EQUIPMENT



TOP RUNNING BRIDGE/TOP RUNNING TROLLEY

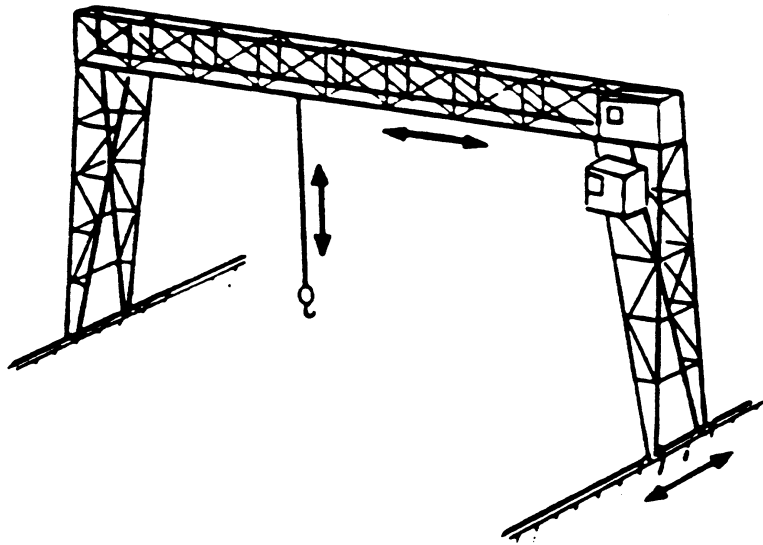


TOP RUNNING BRIDGE/UNDERHUNG TROLLEY



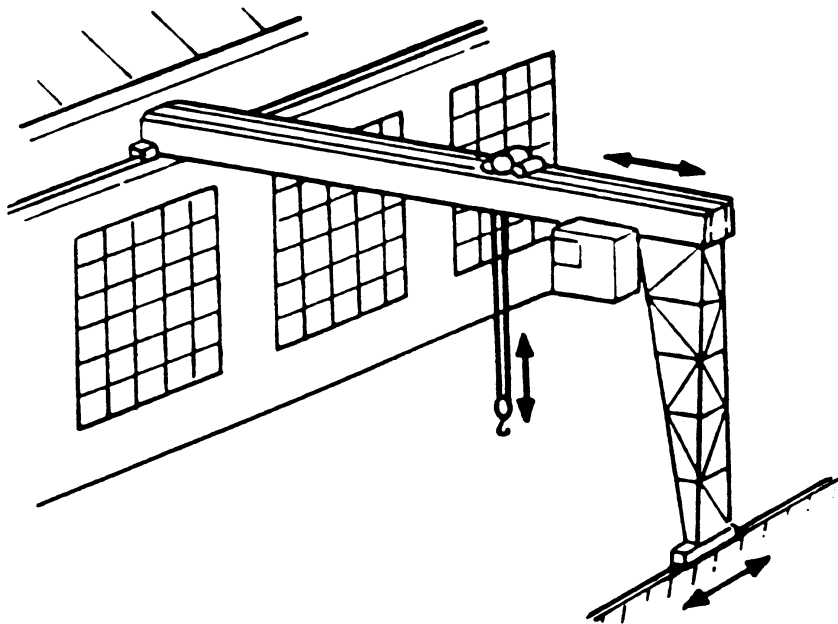
UNDERHUNG BRIDGE/UNDERHUNG TROLLEY

Overhead Traveling. A crane with a single or multiple girder traveling movable bridge carrying a movable or fixed hoisting mechanism and traveling on an overhead fixed runway structure. Operation is limited to the area between the runways. May be top running or underhung.



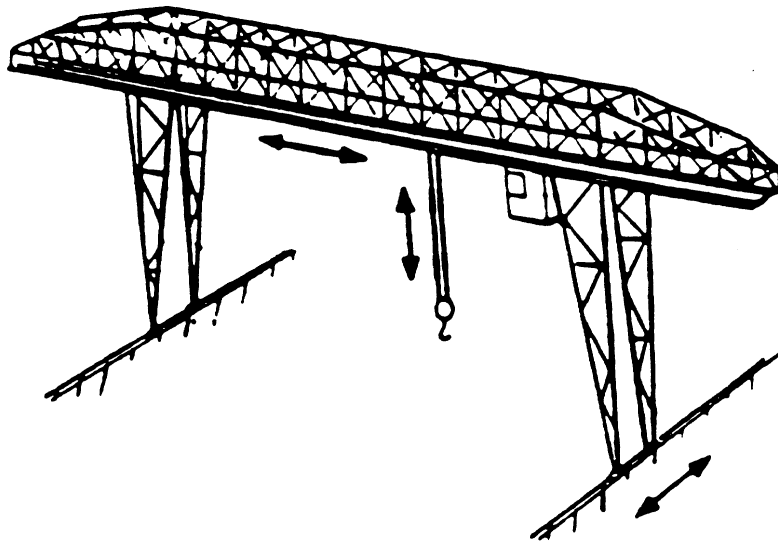
GANTRY CRANE

Gantry. A crane similar to an overhead traveling crane, except that the bridge for carrying the trolley or trolleys is rigidly supported on two or more legs, traveling on elevated or ground level rail systems.



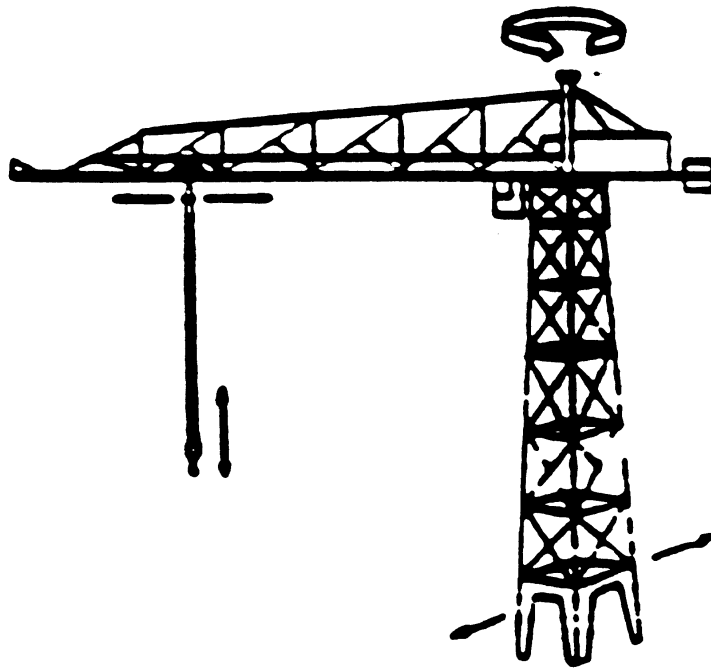
SEMIGANTRY CRANE

Semigantry. A crane with one end of the bridge rigidly supported on one or more legs and the other end supported by a truck running on an elevated rail or runway.



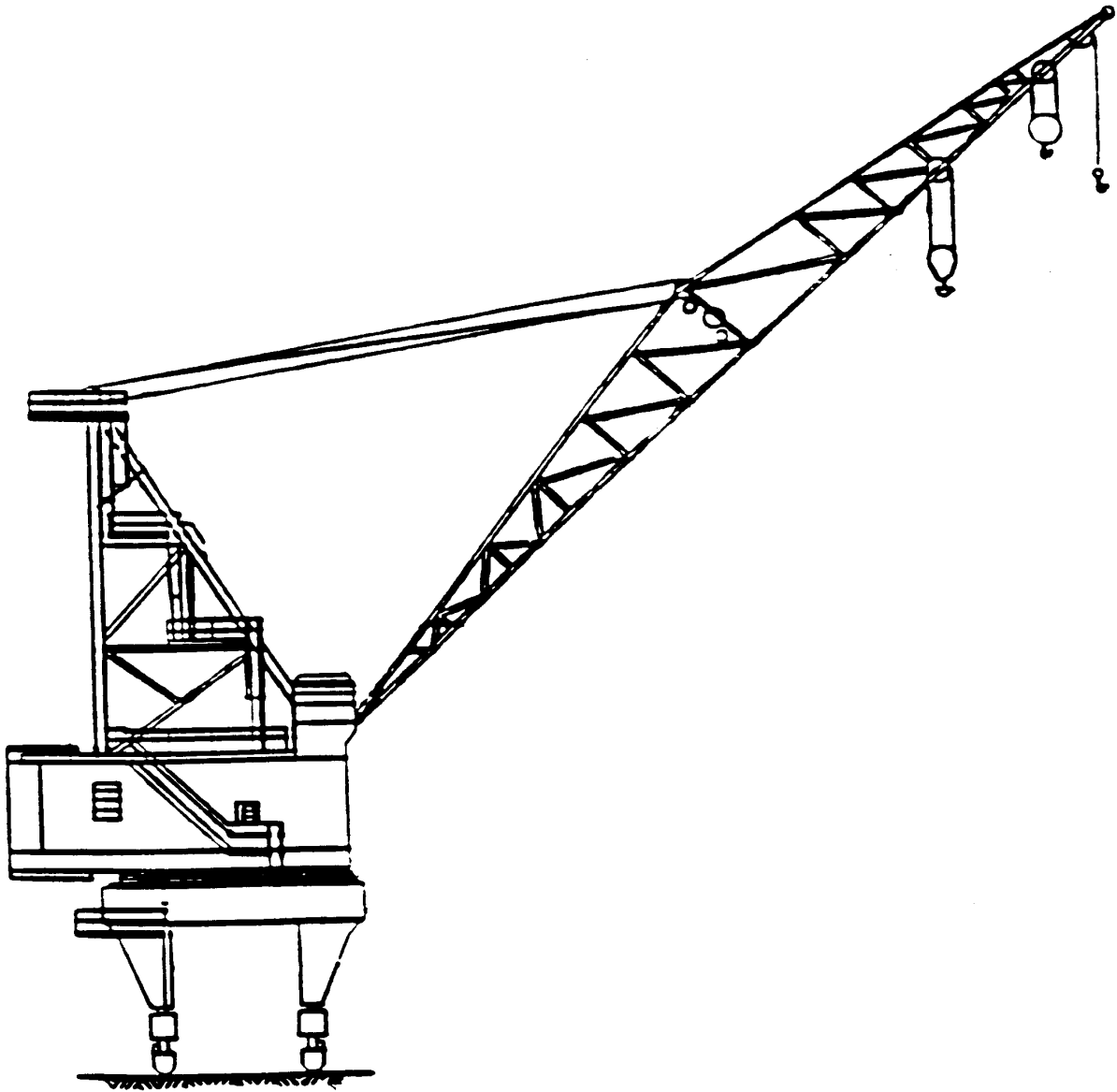
CANTILEVER GANTRY CRANE

Cantilever. A gantry crane in which the bridge gantry girders or trusses extend transversely beyond the crane runway on one or both sides.



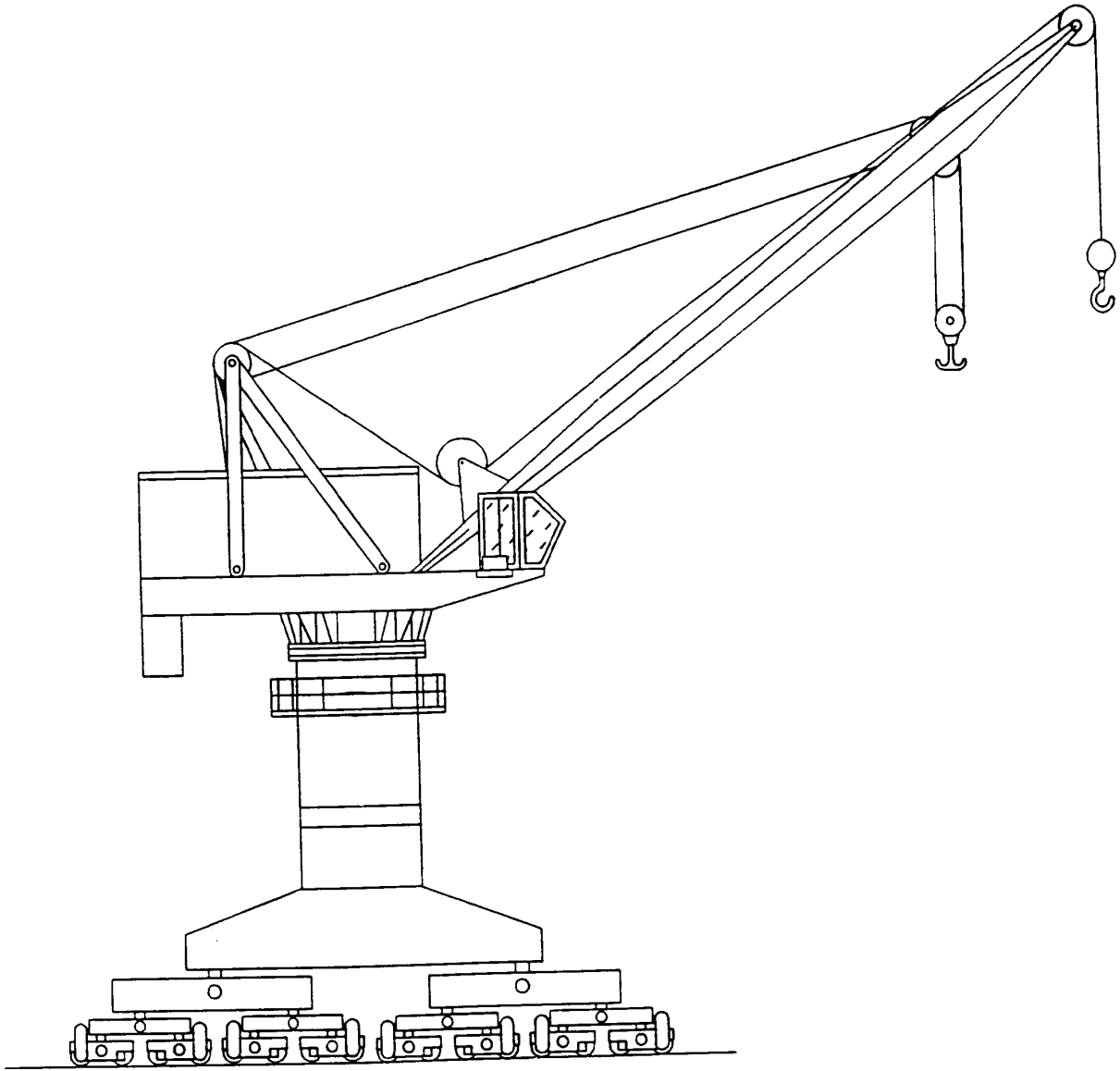
HAMMERHEAD CRANE

Hammerhead. A crane with rotating counterbalanced cantilever boom equipped with one or more trolleys and supported by a pintle or turntable on a traveling or fixed tower.

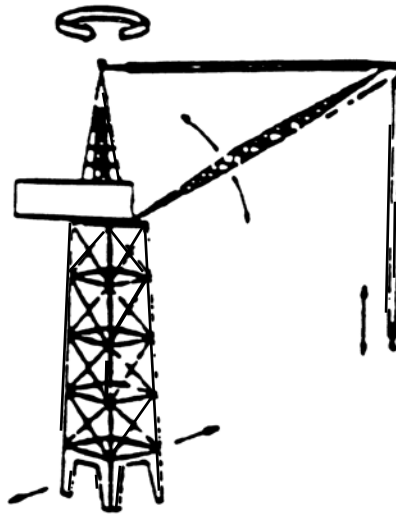


## PORTAL CRANE

Portal. A crane consisting of a rotating superstructure with operating machinery and boom mounted on a gantry structure, usually with a portal opening between the gantry columns or legs for traffic to pass beneath the crane. The crane may be fixed or on a traveling base.

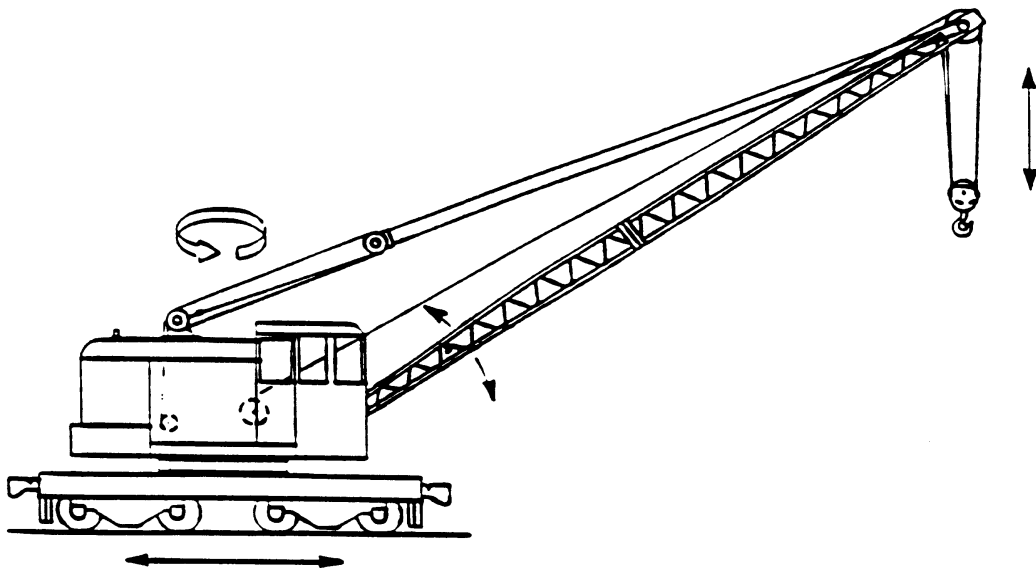


PORTAL CRANE



TOWER CRANE

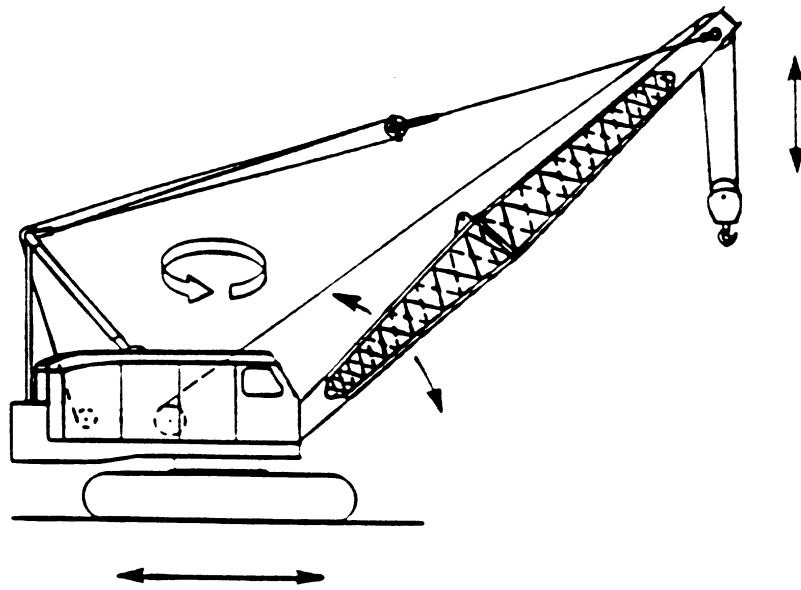
Tower. Similar to a portal crane, but with a tower intervening between the superstructure and the gantry or other base structure; ordinarily, no portal is provided for traffic to pass beneath the crane. To resist overturning moments, the assembly may be ballasted, fixed to a foundation, or a combination of both. The crane may be fixed or on a traveling base.



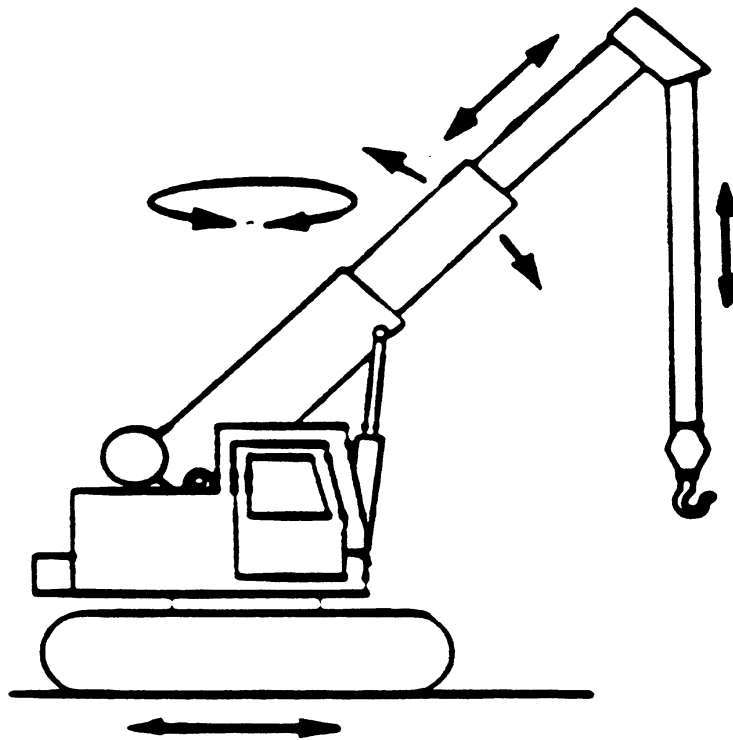
LOCOMOTIVE CRANE

Locomotive. A crane consisting of a rotating superstructure with a power plant, operating machinery, and a boom capable of being raised and lowered, all mounted on a base or car capable of traveling on railroad track. It may or may not be self-propelled.



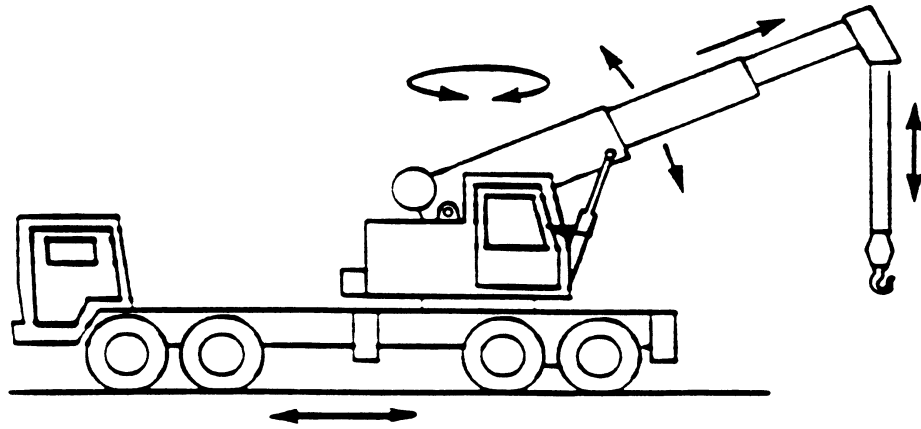


CRAWLER CRANE - FIXED BOOM

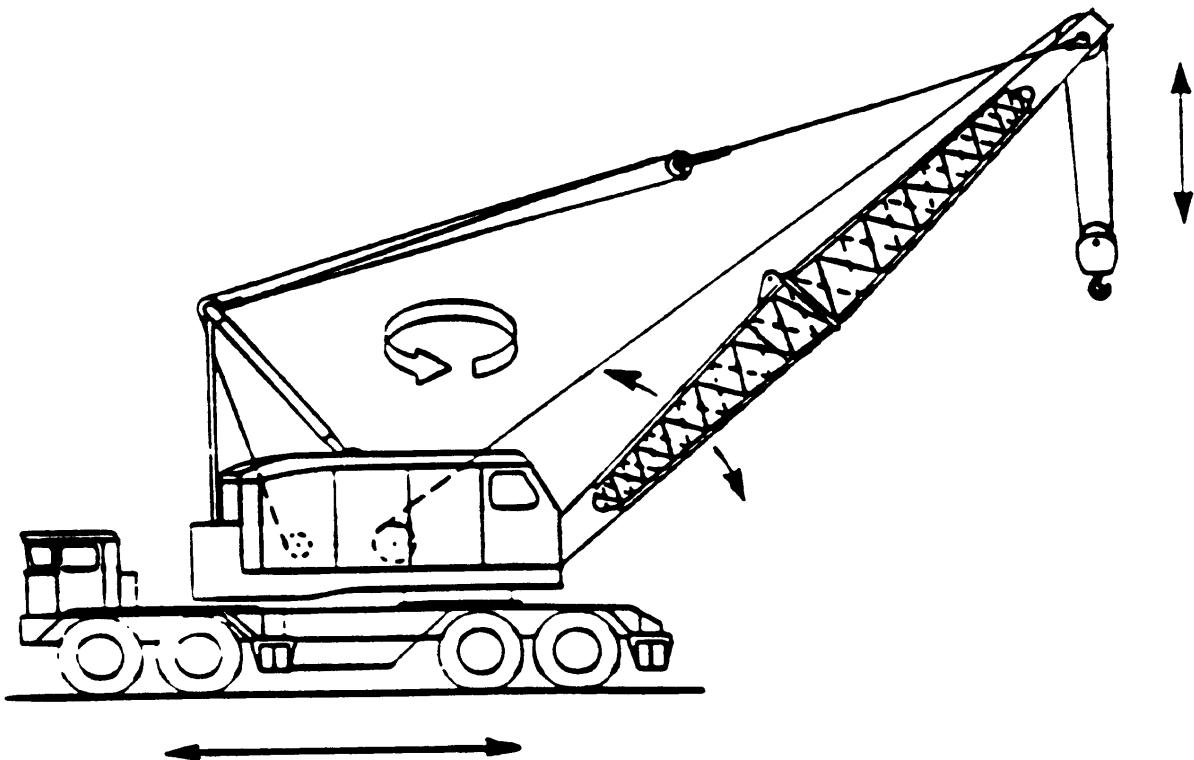


CRAWLER CRANE - TELESCOPING BOOM

Crawler. A crane consisting of a rotating superstructure with power plant, operating machinery, and a boom (either fixed or telescoping) capable of being raised and lowered, all mounted on a base equipped with crawler treads for travel.

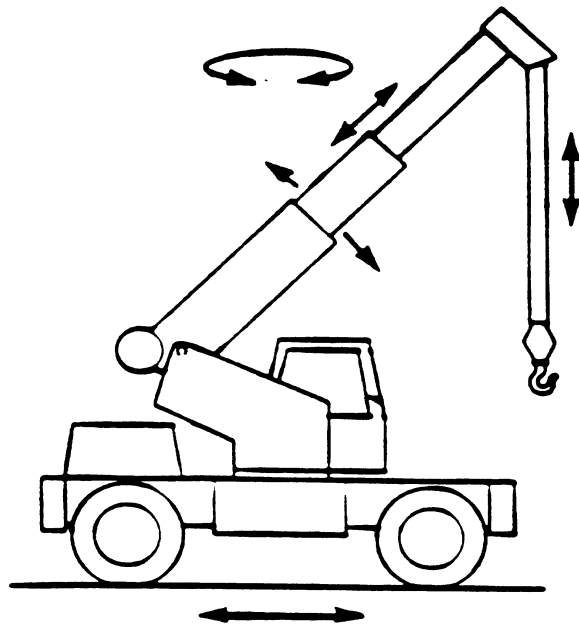


TRUCK CRANE - TELESCOPING BOOM

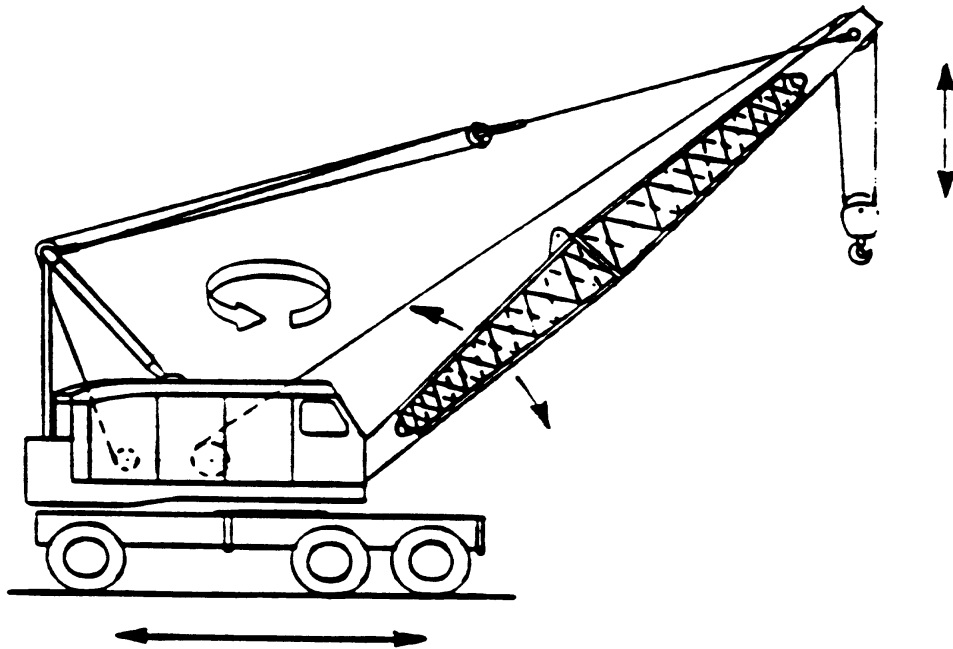


TRUCK CRANE - FIXED BOOM

Truck. A crane consisting of a rotating superstructure with power plant, operating machinery, and a boom (either fixed or telescoping) capable of being raised and lowered, all mounted on an automotive truck chassis equipped with a power plant for travel.

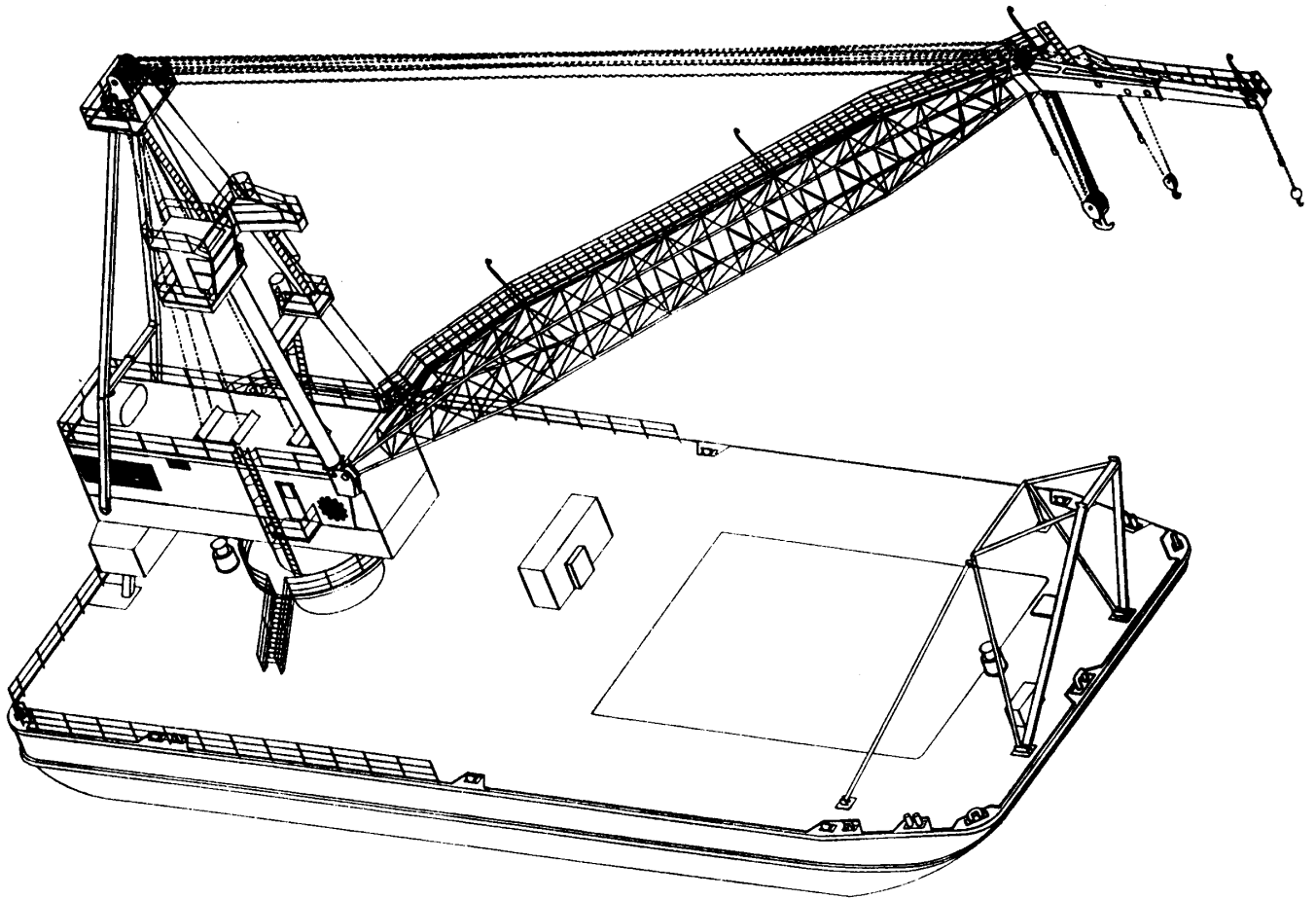


ROUGH TERRAIN/ALL TERRAIN CRANE - TELESCOPING BOOM



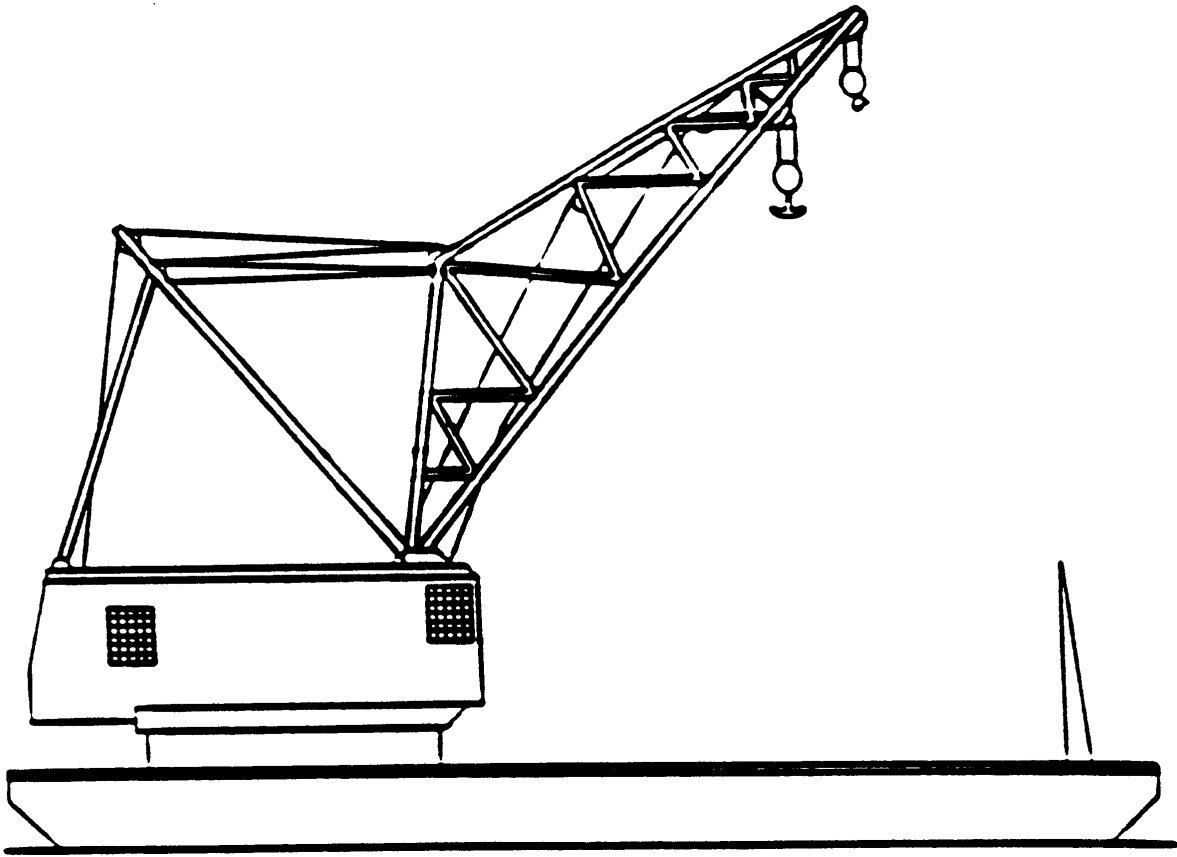
ROUGH TERRAIN/ALL TERRAIN CRANE - FIXED BOOM

Rough Terrain Crane/All Terrain Crane. A crane consisting of a rotating superstructure with power plant, operating machinery, and a boom (either fixed or telescoping) capable of being raised and lowered, all mounted on a base or platform equipped with axles and rubber-tired wheels for travel over uneven and off-road surfaces. An all-terrain crane is also equipped to travel at highway speeds. The base is usually propelled by the engine in the superstructure, but it may be equipped with a separate engine controlled from the superstructure.

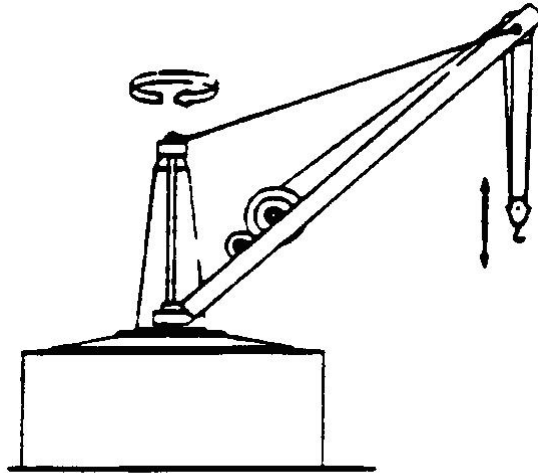


## FLOATING CRANE

Floating. A crane with an integral base consisting of a pontoon, barge, or hull.

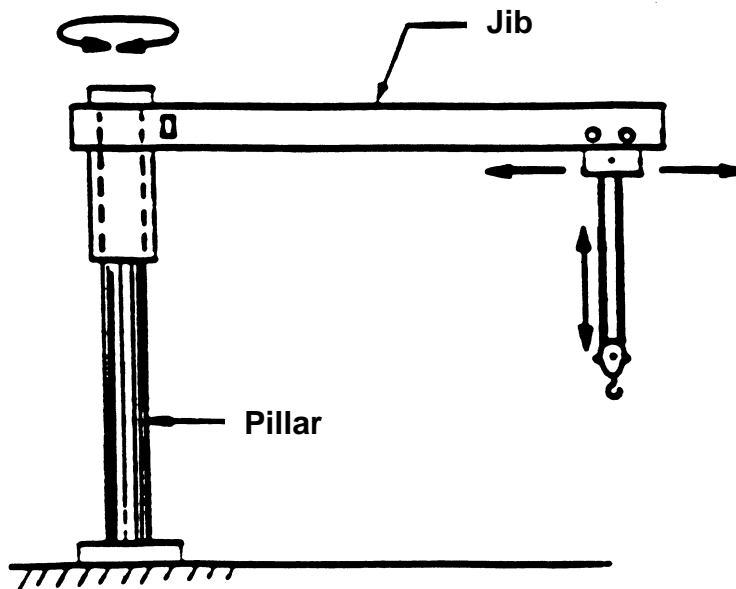


FLOATING CRANE



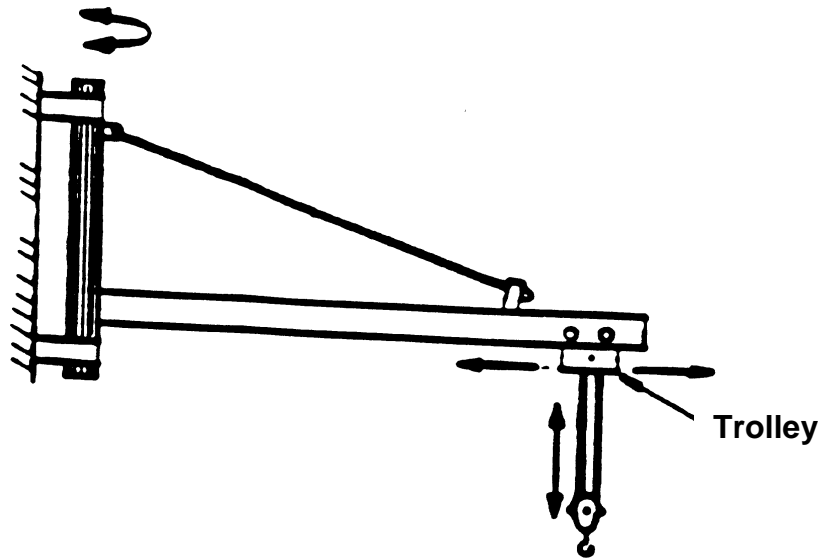
PILLAR CRANE

Pillar. A fixed crane consisting of a vertical member held in position at the base to resist overturning moment, with a constant-radius revolving boom supported at the outer end by a tension member.



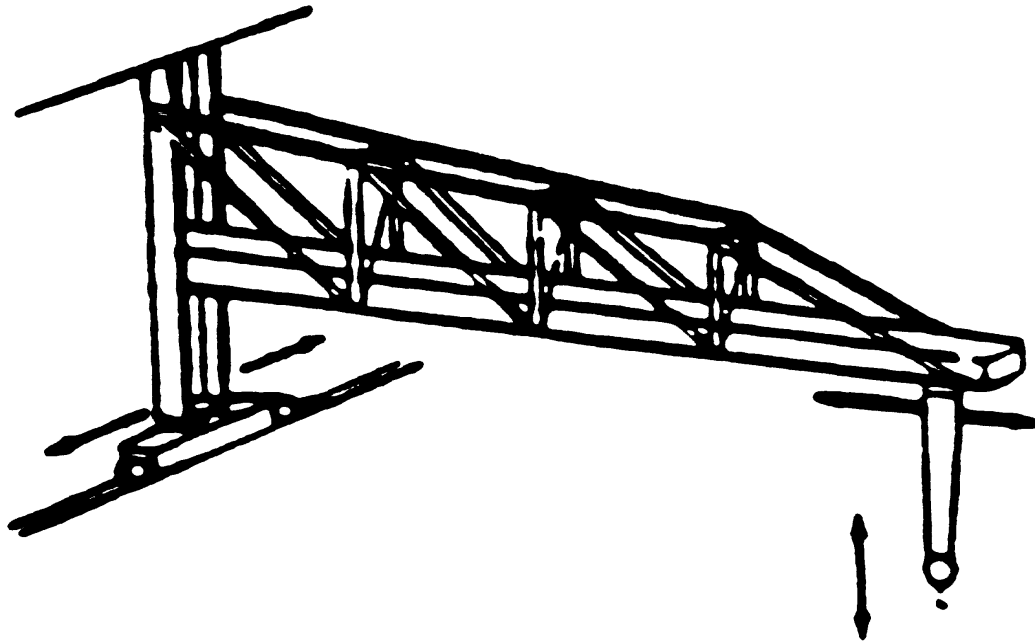
PILLAR-JIB CRANE

Pillar-Jib. A fixed crane consisting of a rotating vertical member with a horizontal arm carrying a trolley and hoist.



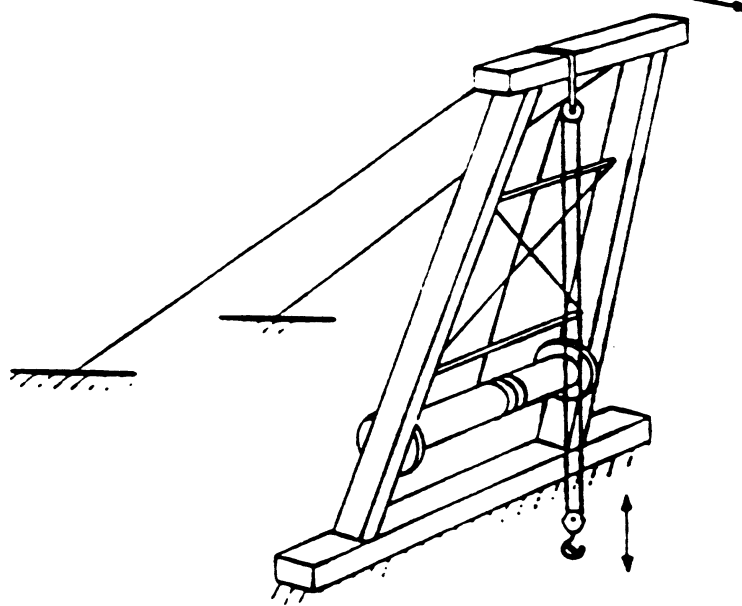
JIB CRANE (WALL MOUNTED)

Jib. A fixed crane, usually mounted on a wall or building column, consisting of a rotating horizontal boom (either cantilevered or supported by tie rods) carrying a trolley and hoist.



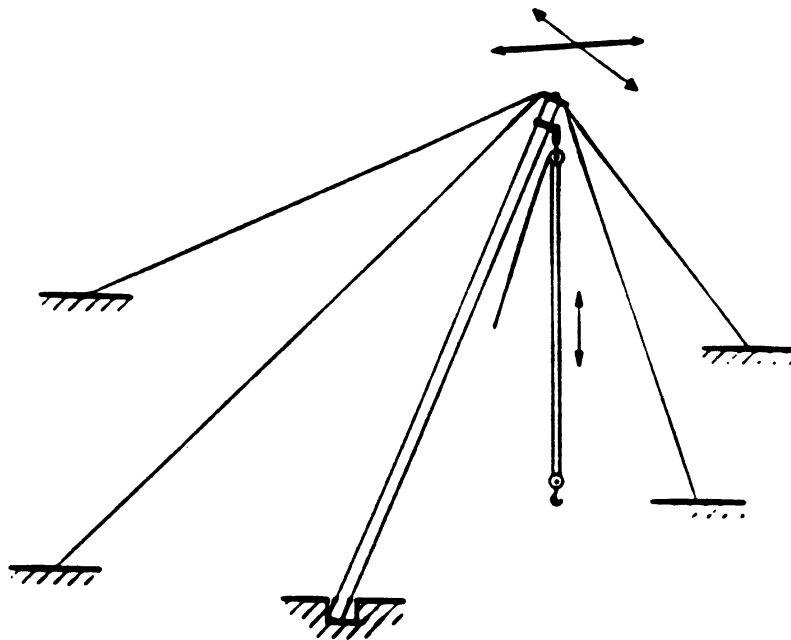
WALL CRANE

Wall. A crane with a jib and hoist, with or without a trolley, traveling on a runway attached to the sidewall or building columns.



BREAST DERRICK

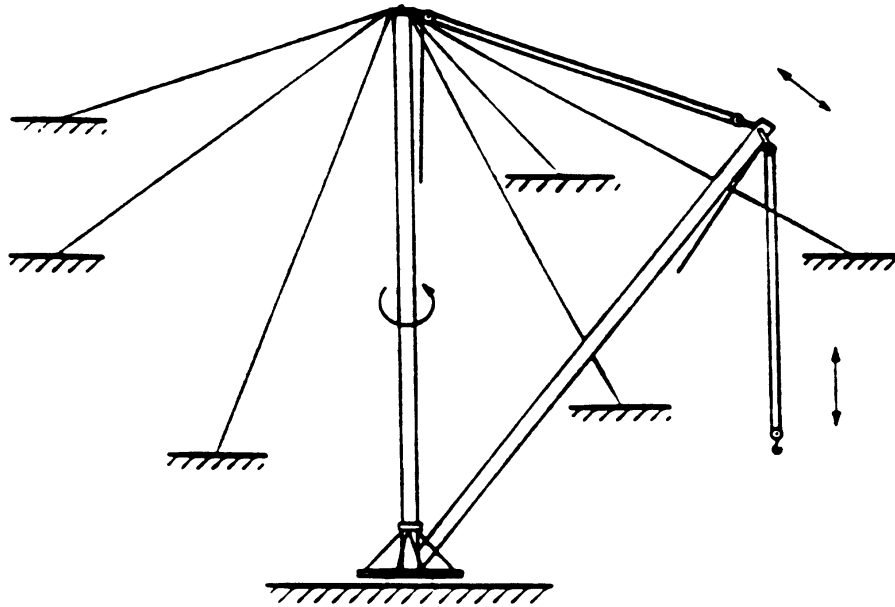
Breast Derrick. A derrick without a boom, the mast consisting of two side members spread farther apart at the base than at the top and tied together at top and bottom by rigid members. The top is held from tipping by guys, and the load raised and lowered by ropes through a sheave or block secured to the top crosspiece.



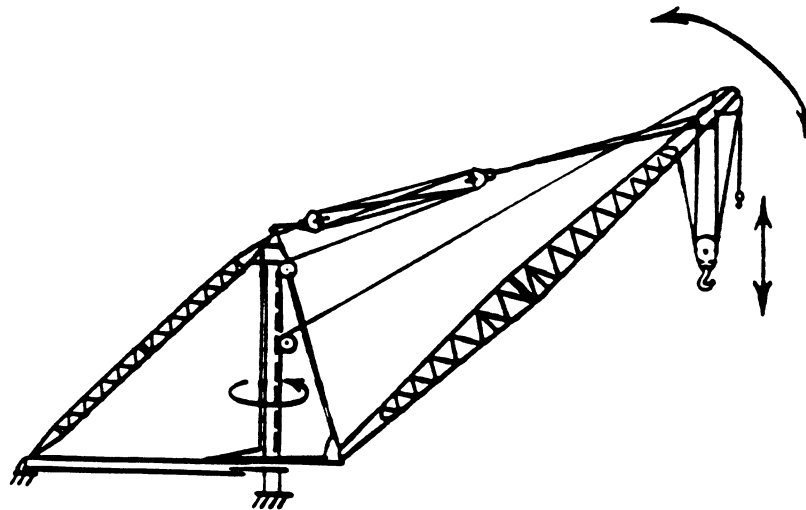
GIN-POLE DERRICK

Gin-pole Derrick. A derrick consisting only of a mast, with guys from its top arranged to permit leaning the mast in any direction. Ropes leading through sheaves or blocks at the top of the mast raise or lower the load.



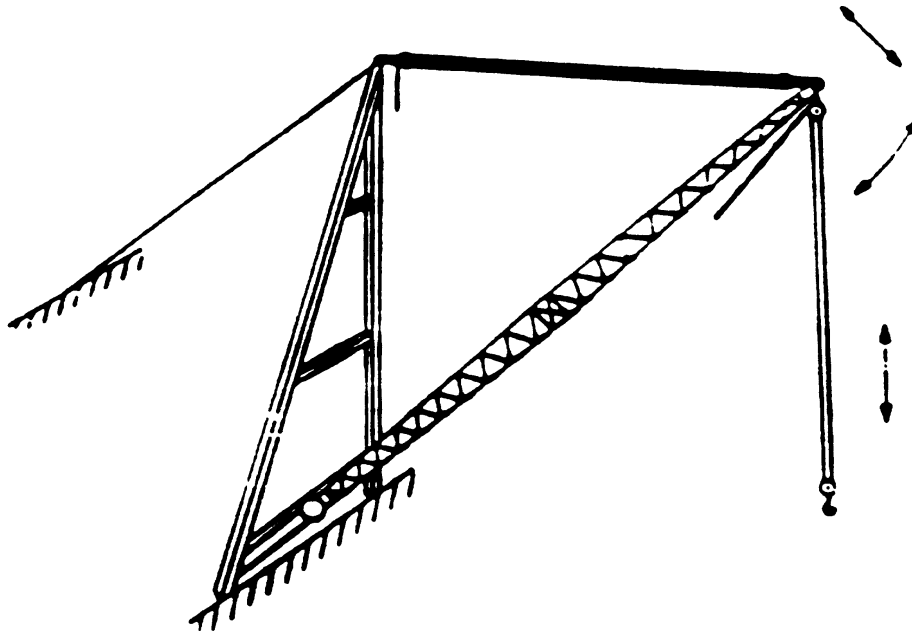


Guyed Derrick. A fixed derrick consisting of a mast, capable of being rotated, that is supported in a vertical position by three or more guys, and a boom with its bottom end hinged or pivoted to move in a vertical plane. Lines between the head of the mast and the head of the boom are used for raising and lowering the boom, and lines from the head of the boom are used for raising or lowering the load.



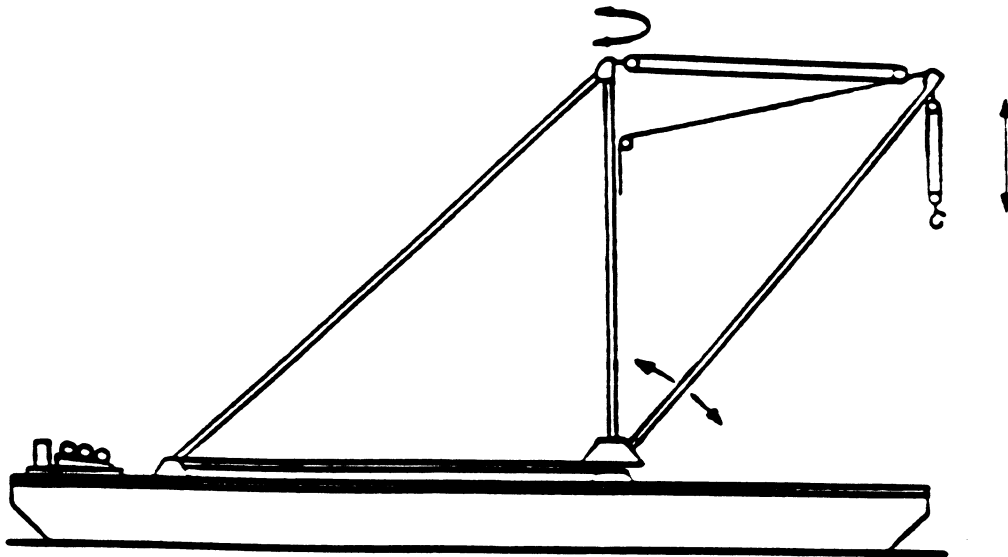
STIFF LEG DERRICK

Stiff leg Derrick. Similar to a guyed derrick except that the mast is supported or held in place by two or more stiff members capable of resisting both tensile and compressive forces. Sills are generally provided to connect the lower ends of the two stiff legs to the foot of the mast.



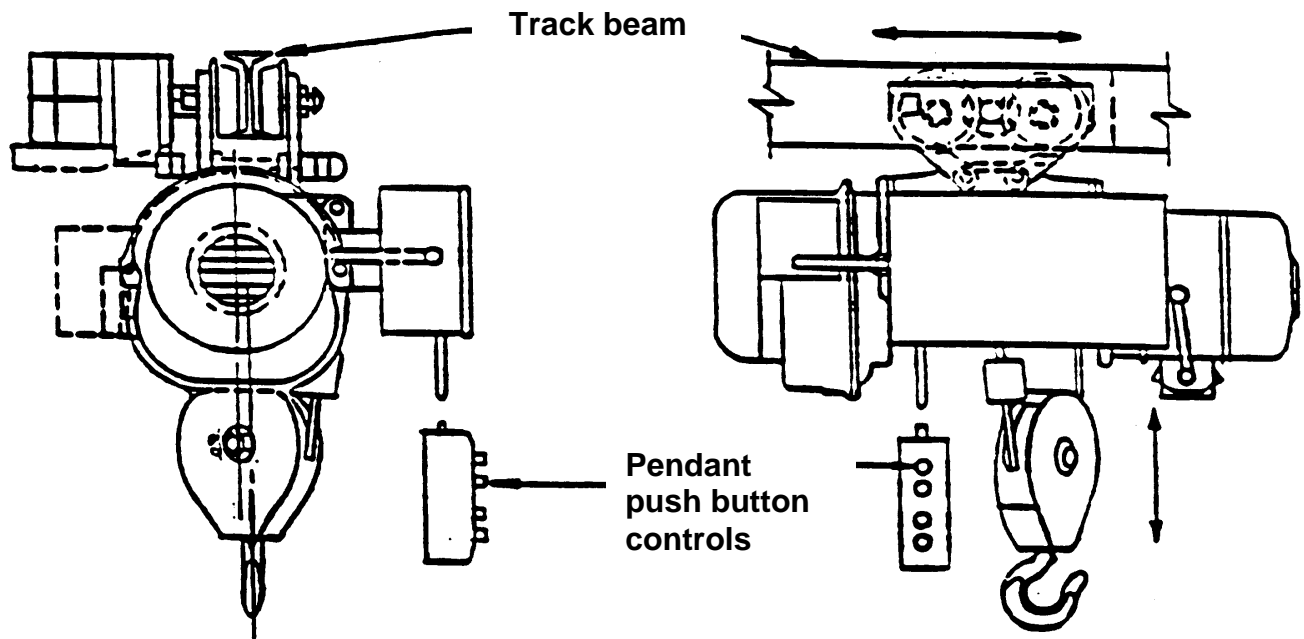
A-FRAME DERRICK

A-Frame Derrick. A derrick with a boom hinged from a cross member between the bottom ends of two upright members spread apart at the lower ends and united at the top. The upper end of the boom is secured to the upper junction of the side members, and the side members are braced or guyed from the junction point.



FLOATING STIFF LEG DERRICK

Floating Derrick. A derrick constructed integrally with a floating base. May be of any type, but usually is either an A-frame or a stiff leg type.



OVERHEAD HOIST  
TROLLEY-MOUNTED ON MONORAIL TRACK

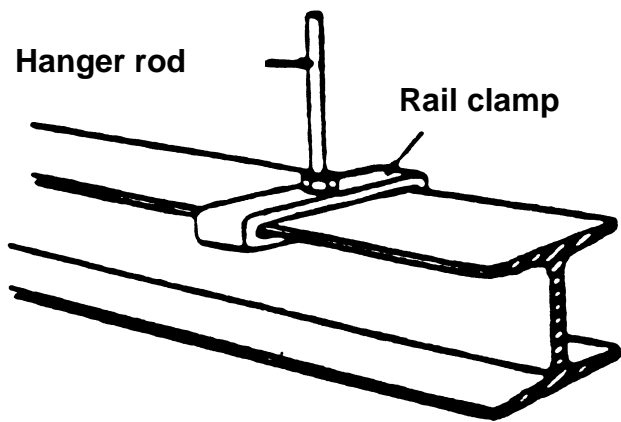
Overhead Hoist. A hoist having one or more drums and sheaves for wire rope or chain. May be manual, electric, hydraulic, or pneumatic powered. May be fixed or may travel on jib crane booms or monorail track.

Suspension Types for Overhead Hoists.

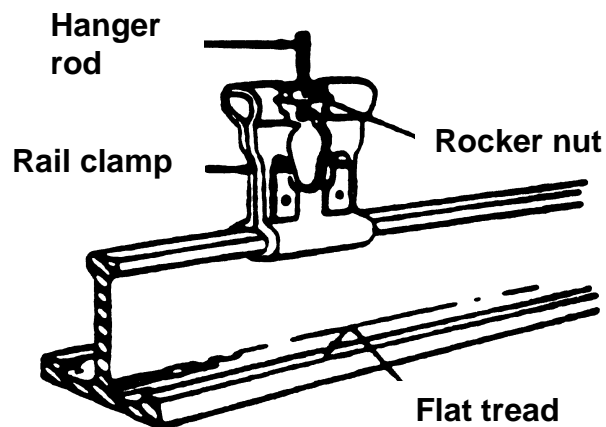
Clevis - Utilizes a clevis for the upper suspension member.

Hook - Utilizes a hook for the upper suspension member.

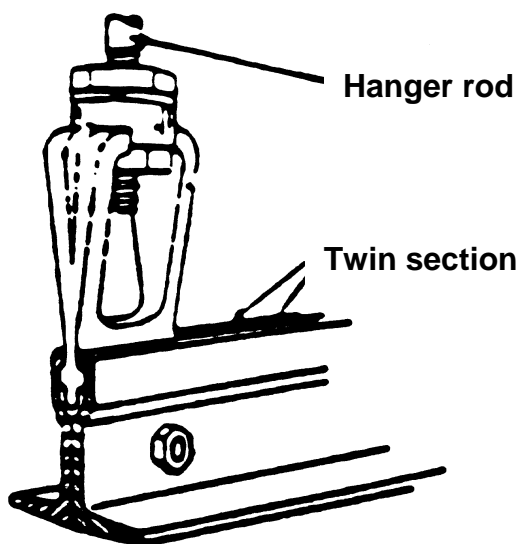
Trolley - Utilizes a trolley as upper suspension member for the purpose of traveling on jib booms and monorail track.



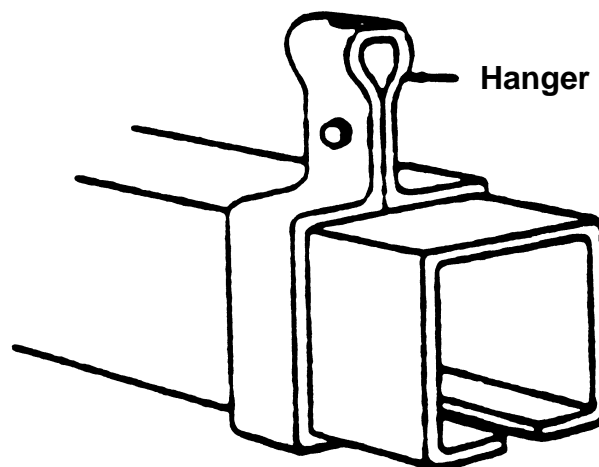
STRUCTURAL STEEL I-BEAM



RAISED-TREAD STEEL TRACK



TWIN-SECTION TRACK



RECTANGULAR TUBING TRACK

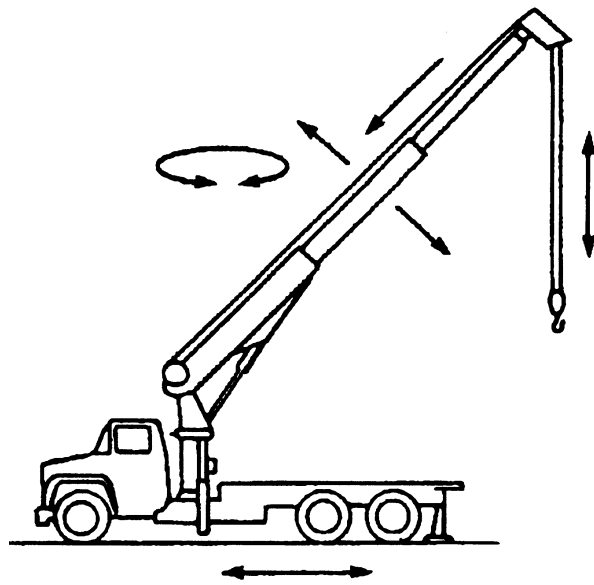
Track Types for Overhead Hoists.

Structural steel I-beams - Use for heavy loads and long spans.

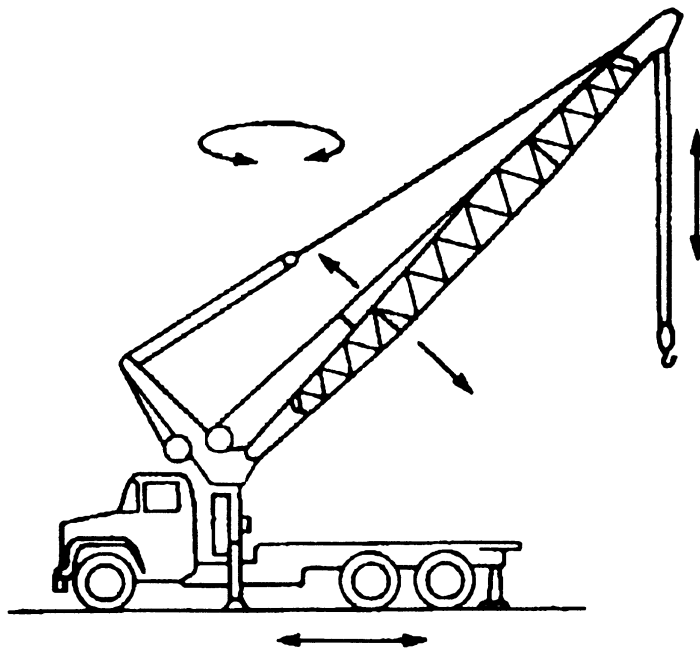
Raised-tread steel track (patented track) - Adds wear resisting thickness for longer service life.

Twin-section track - Use for light loads.

Rectangular tubing track - Use for light loads.

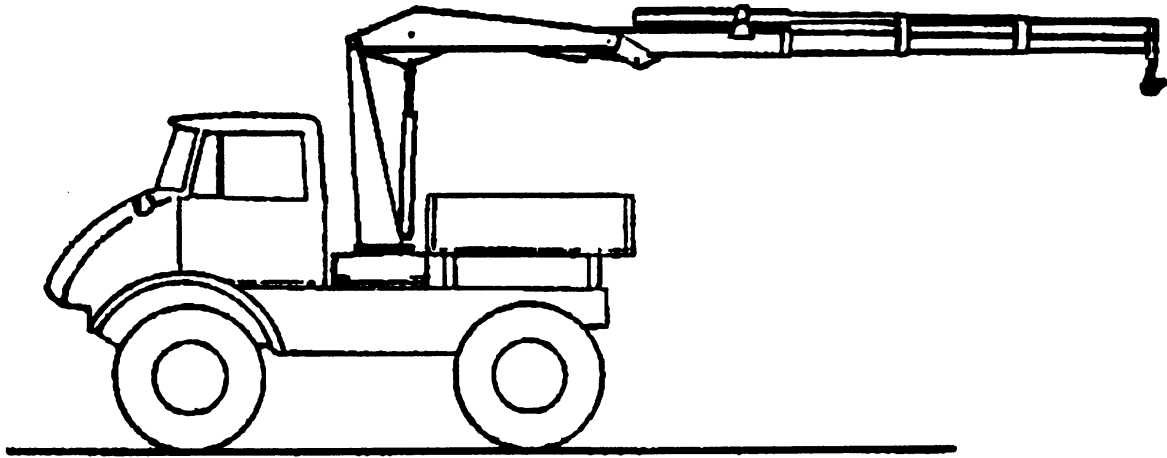


COMMERCIAL TRUCK-MOUNTED CRANE - TELESCOPING BOOM

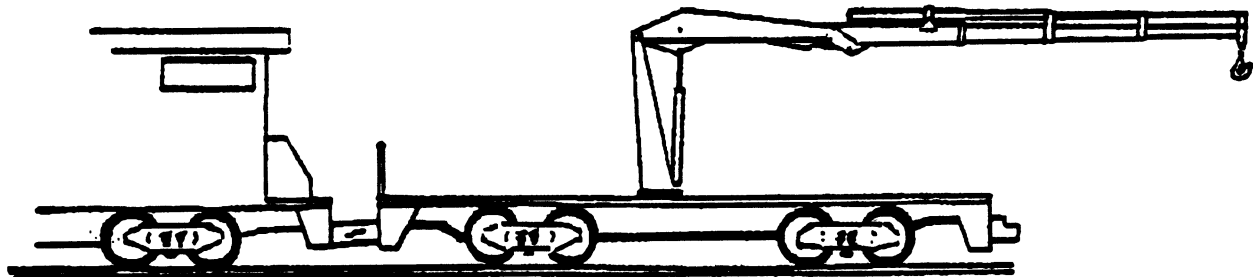


COMMERCIAL TRUCK-MOUNTED CRANE - NONTELESCOPING BOOM

Commercial Truck-Mounted Crane. A crane consisting of a rotating superstructure (center post or turn-table), boom, operating machinery, and one or more operator's stations mounted on a frame attached to a commercial truck chassis, usually retaining a payload hauling capability whose power source usually powers the crane. Its function is to lift, lower, and swing loads at various radii.

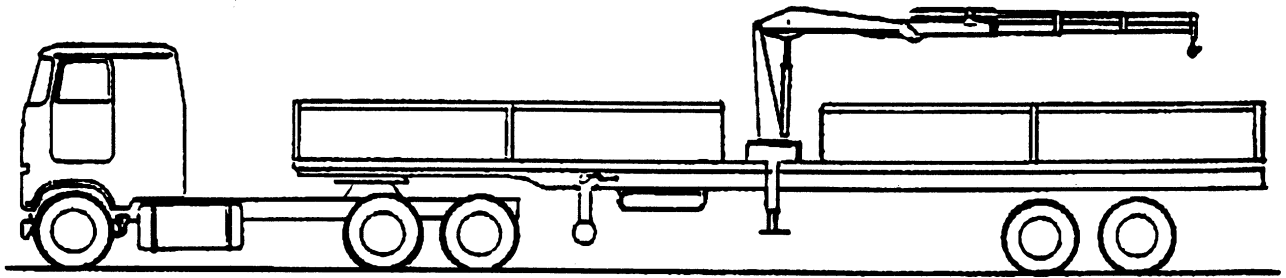


ARTICULATING BOOM CRANE - OFF-ROAD VEHICLE

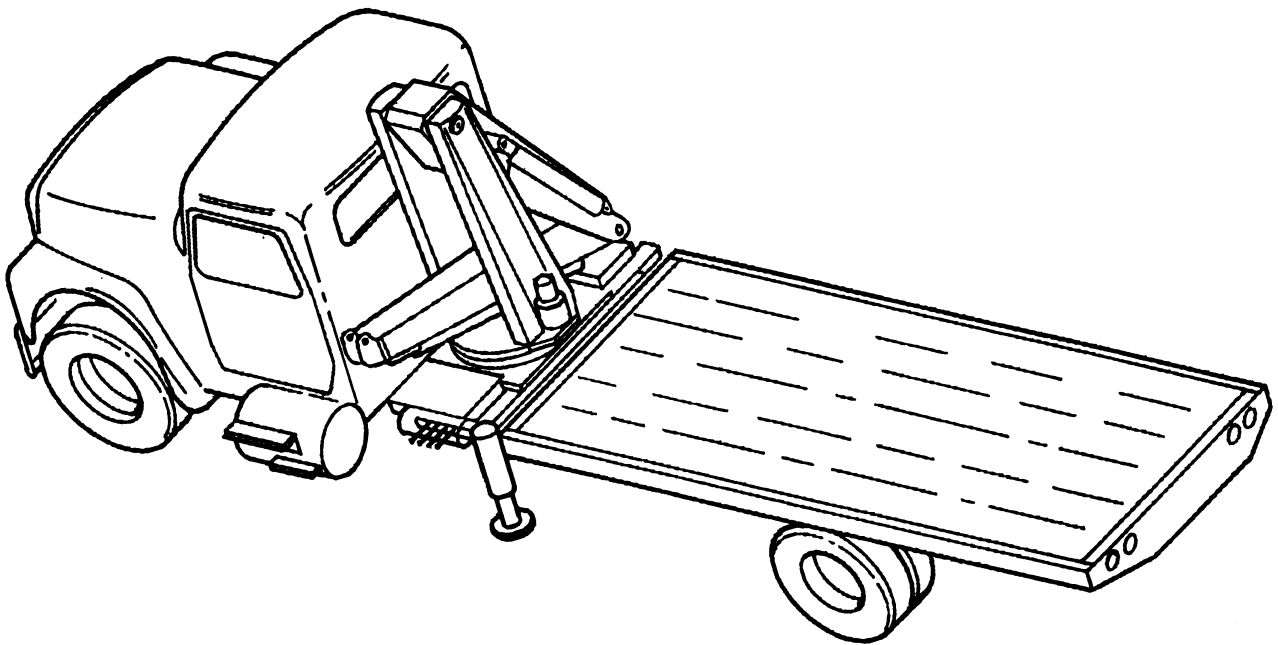


ARTICULATING BOOM CRANE - RAIL CAR INSTALLATION

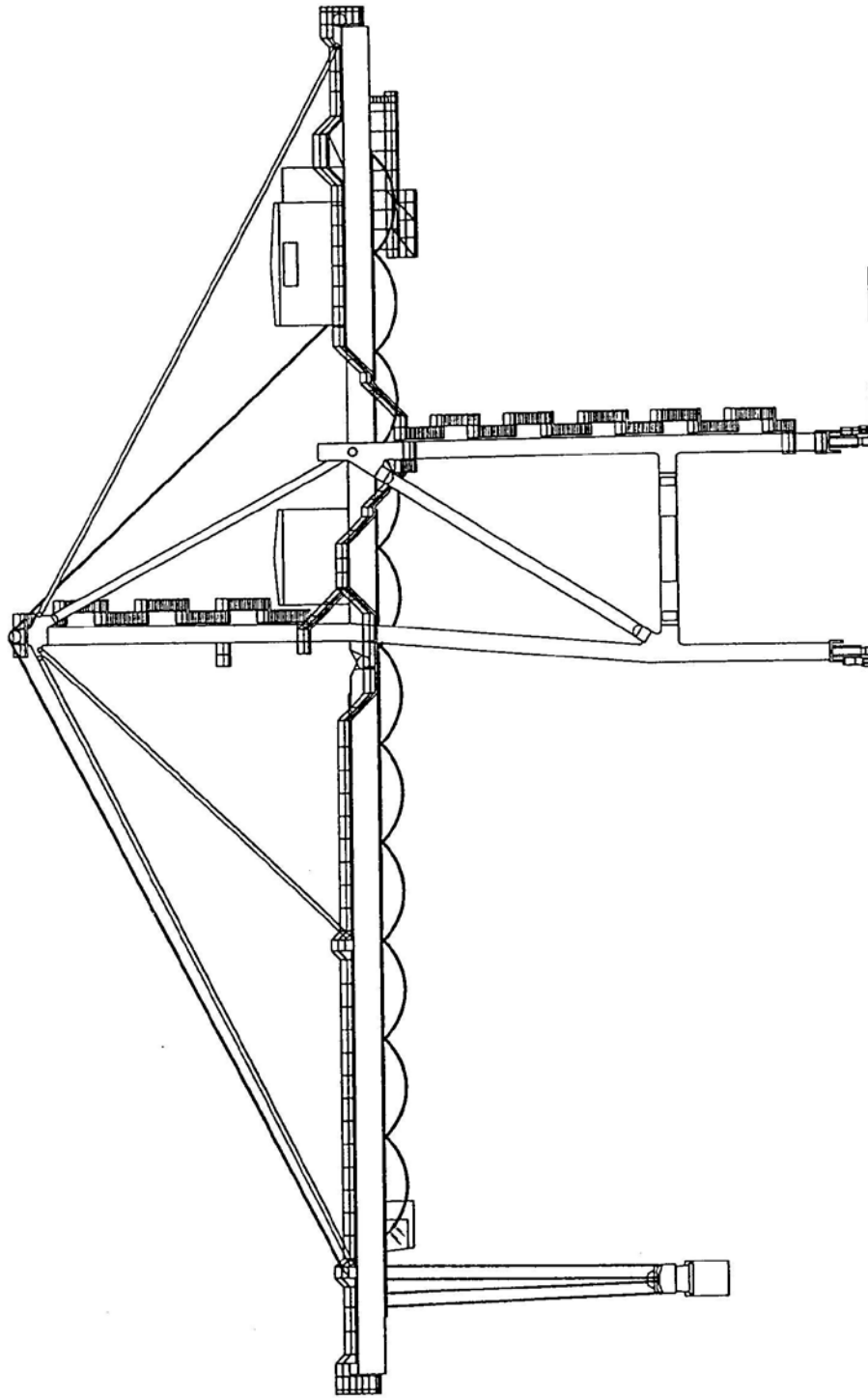
Articulating Boom Crane. A crane with a boom that has sections that are articulated by hydraulic cylinders. The boom usually consists of an inner boom section, a secondary boom section, and an outer boom section, each section individually pivoting about a pivot point and individually powered by hydraulic cylinders. The boom may have a telescoping extension. The crane may be truck mounted, trailer mounted, rail car mounted, crawler-mounted, or stationary.



ARTICULATING BOOM CRANE - TRAILER MOUNTED



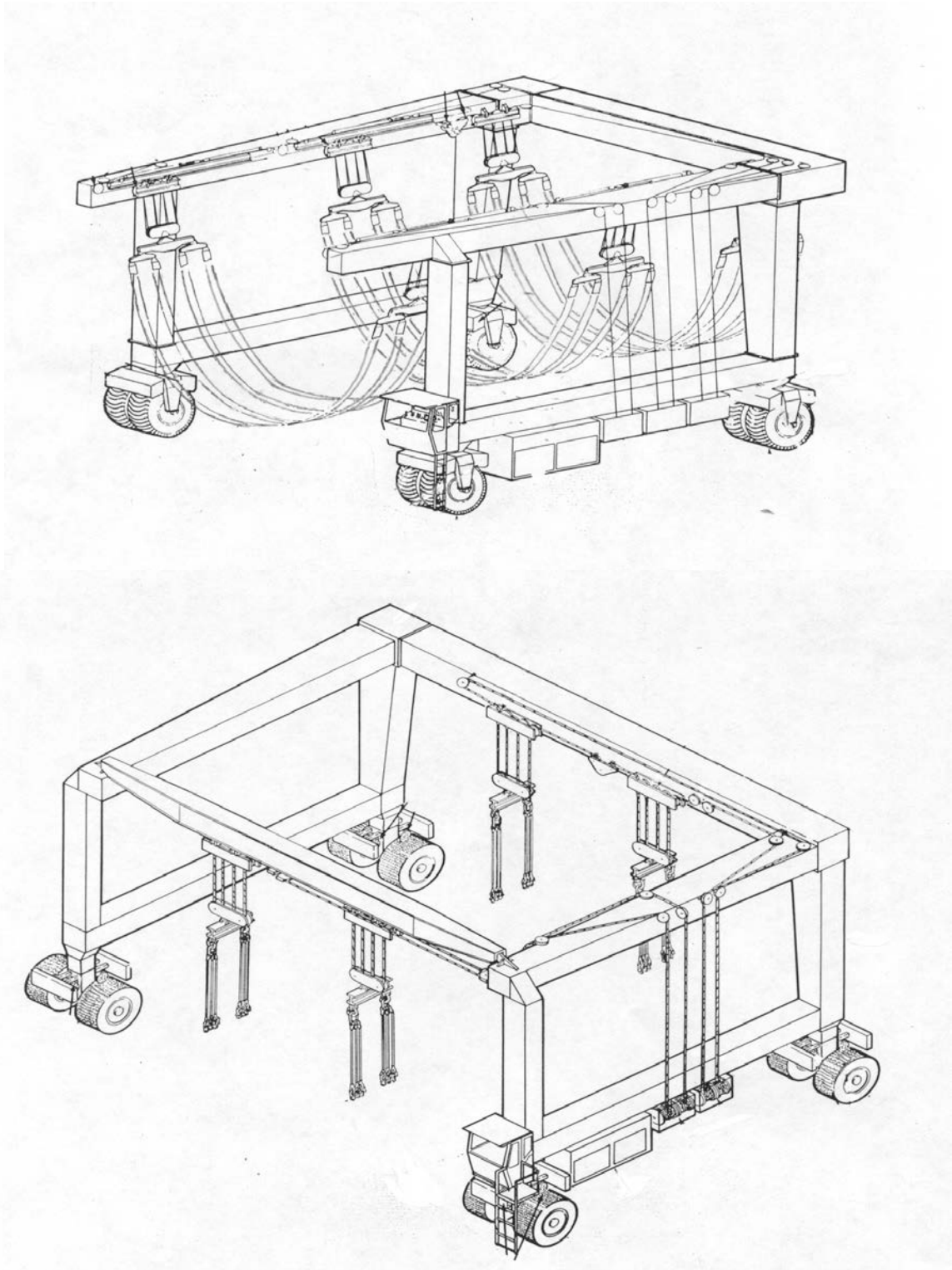
ARTICULATING BOOM CRANE  
COMMERCIAL TRUCK-MOUNTED STANDARD GROUND CONTROL



CONTAINER CRANE

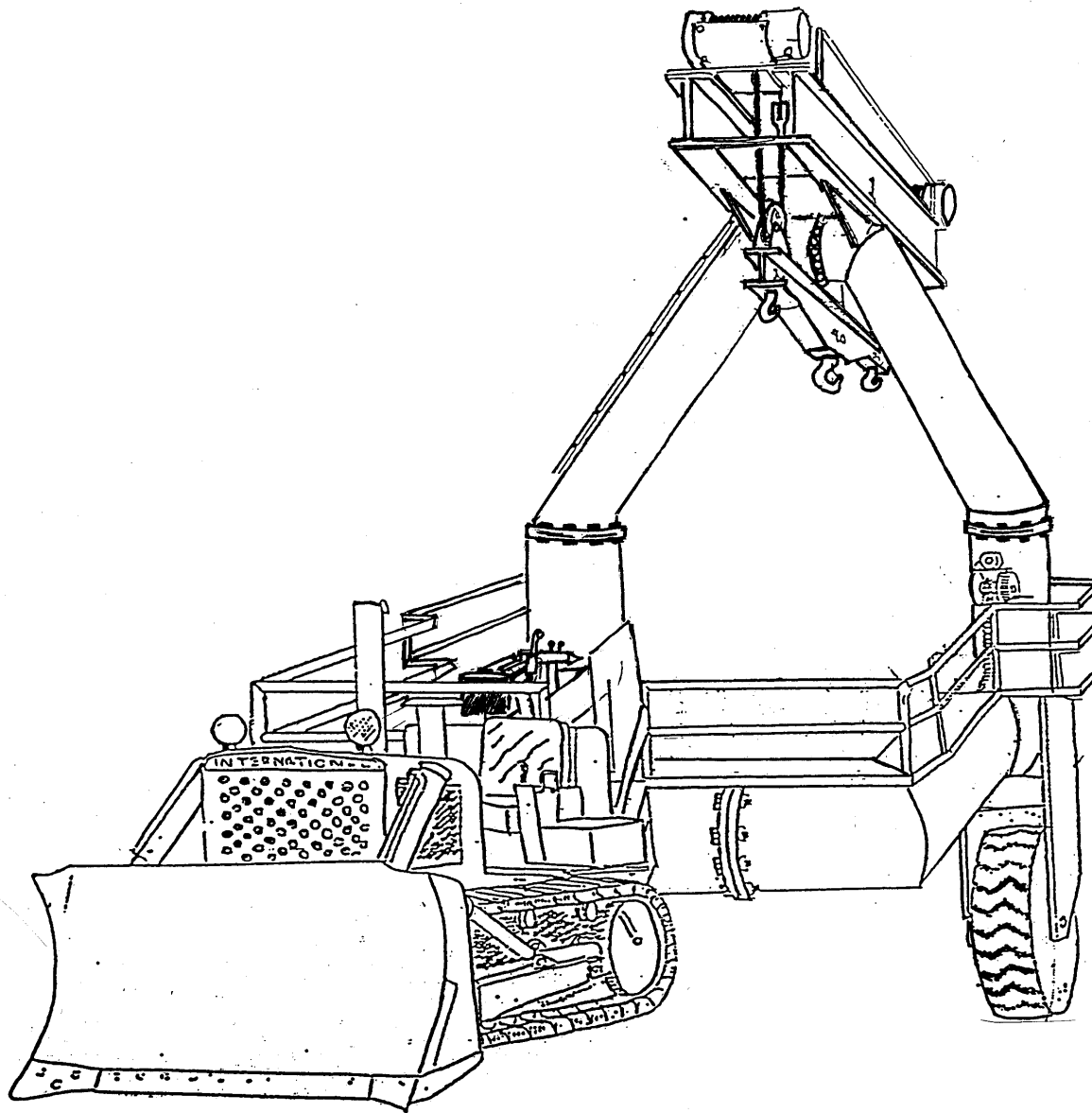
Container. A crane consisting of a hinged boom and main beam with a traveling trolley mounted on a rail mounted traveling gantry structure. Container cranes are used for quickly transferring containers on and off ships.





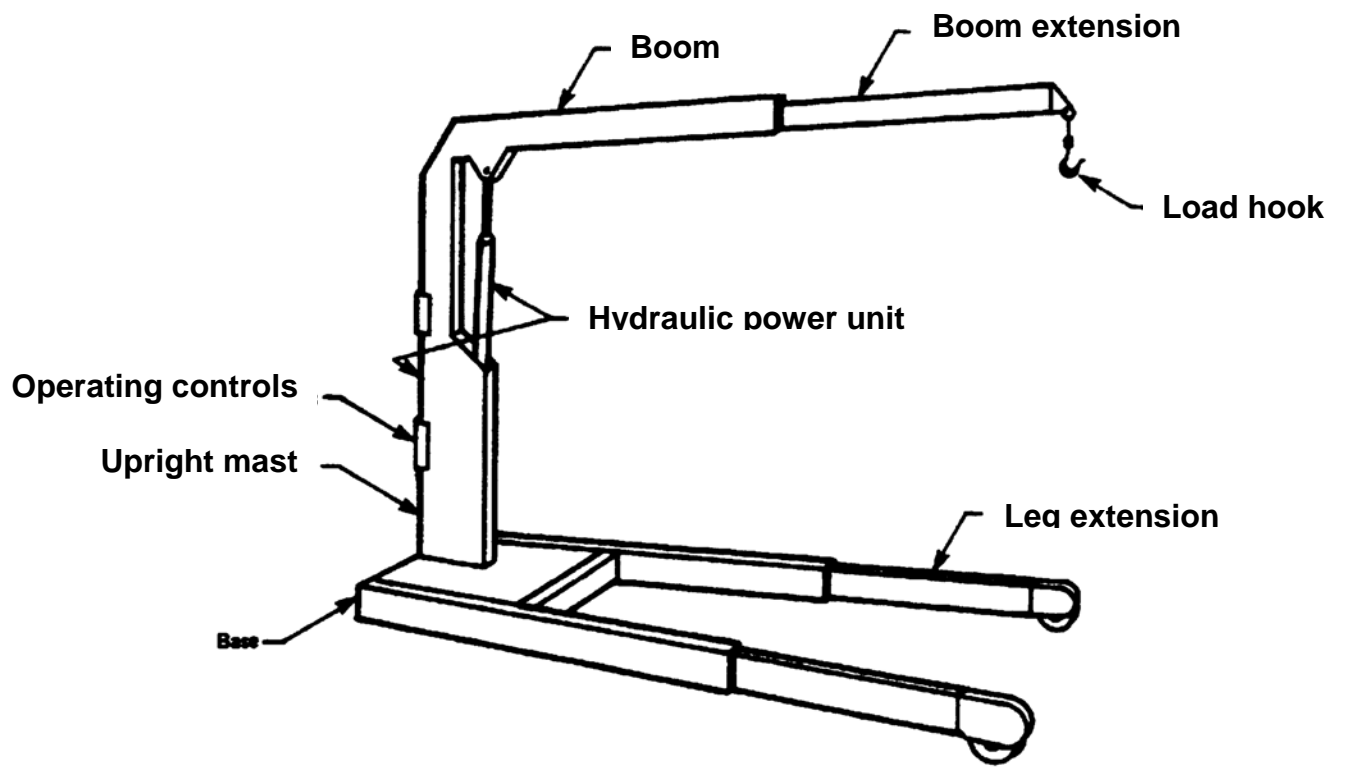
MOBILE BOAT HOIST

Mobile Boat Hoist. A straddle type carrier consisting of a steel structure of rectangular box sections, supported by four sets of dual wheels capable of straddling and carrying boats.

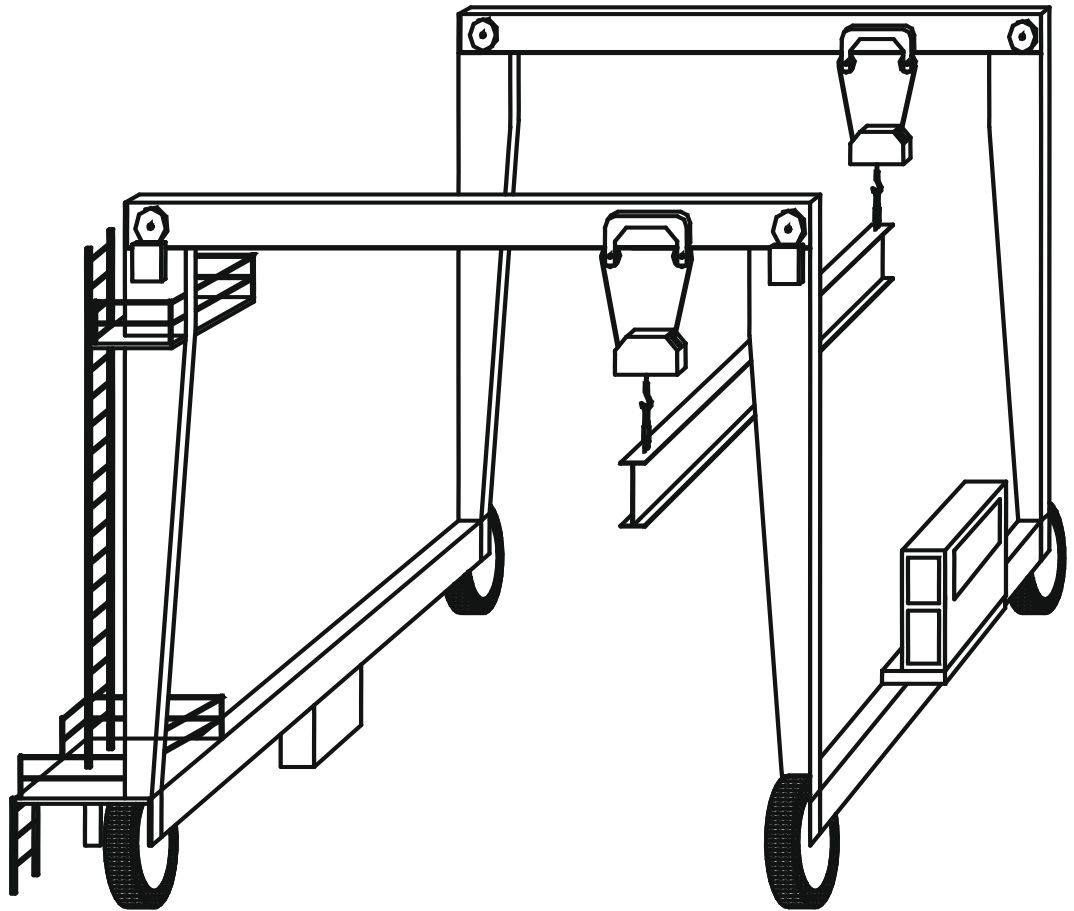


MOBILE BOAT HOIST (landing craft retrieval unit)

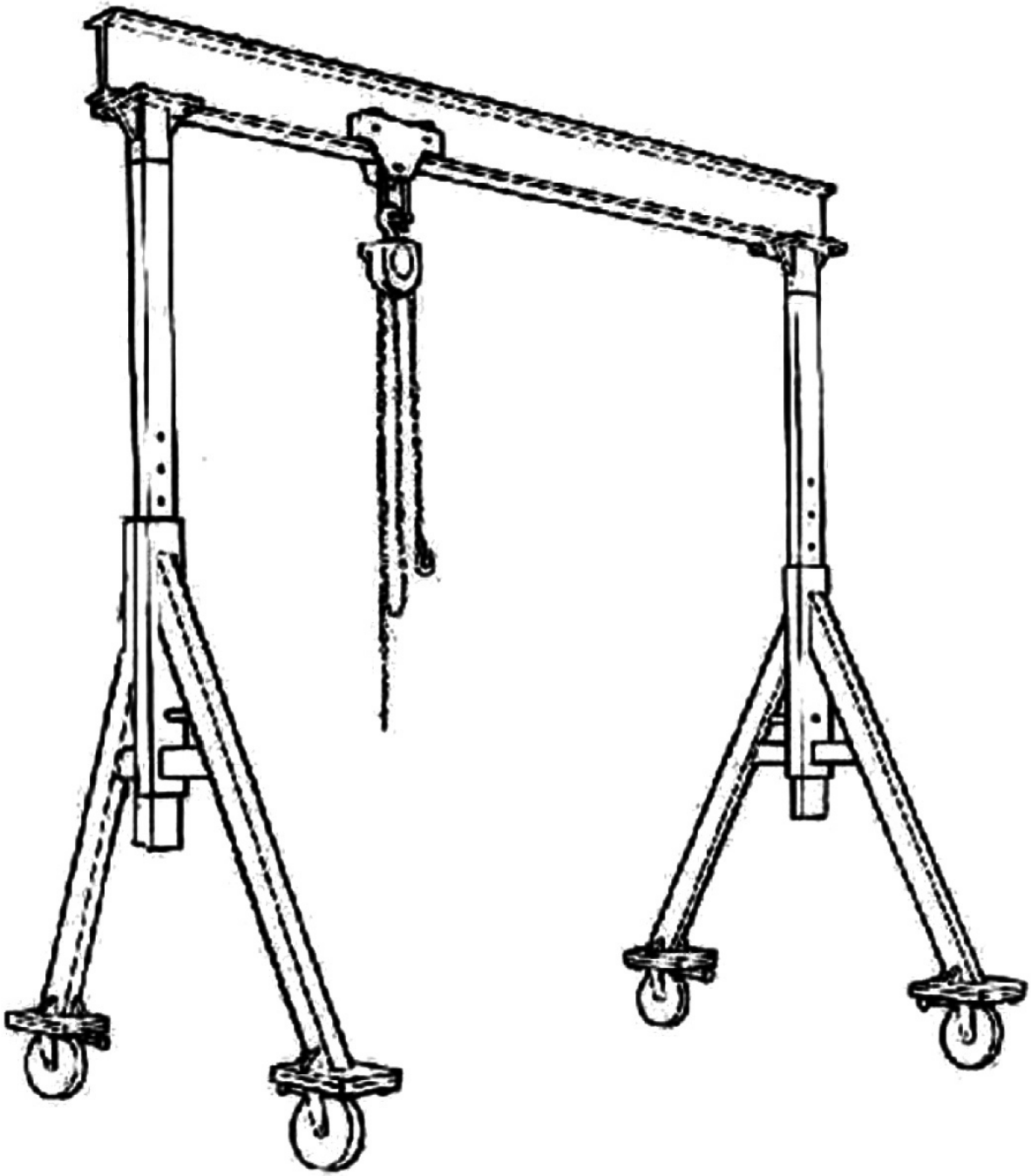
Mobile Boat Hoist. A straddle type self-propelled or towed type carrier consisting of a steel structure supported by wheels capable of straddling and carrying boats.



PORTABLE FLOOR CRANE



RUBBER-TIRED GANTRY CRANE



PORTABLE GANTRY/A-FRAME

(INTENTIONALLY LEFT BLANK)

## APPENDIX C - MAINTENANCE INSPECTION SPECIFICATION AND RECORD FOR CATEGORY 1 AND 4 CRANES

### Notes:

1. The following are the minimum inspection requirements. Due to the various makes and models of cranes in the Navy inventory with unique or special components, these specifications may require additional instructions. Components need not be disassembled for inspection, except: (a) where noted specifically to disassemble; (b) where activity experience warrants disassembly of specific components; or (c) where problems indicated by these inspections require disassembly for further inspection. Where disassembly and reassembly are required, or for other detailed inspection guidelines, TWDs, SROs, or other work documents shall be utilized (except for inspection covers) to properly document the necessary steps required for disassembly, reassembly, and/or other inspection guidelines. Deleting or reducing the frequency of these inspections requires Navy Crane Center approval (see paragraph 3.6 for deferral of maintenance inspections). Justification shall be provided with the activity's request. Additional or more frequent inspections based upon activity experience or OEM recommendations may be performed at the discretion of the activity. Additional inspection requirements and recommendations for specific OEMs are contained in CSAs and EDMs located on the Navy Crane Center web site (<https://www.navfac.navy.mil/ncc>).

2. These specifications include both non-operational and operational inspection criteria. Where necessary to ensure the safety of inspection and maintenance personnel, the crane shall be de-energized in accordance with approved lockout procedures.

3. For inspections that involve fluids (lubricants, coolants, brake fluid, hydraulic fluid, etc.) or grease, inspect the fluid or grease for visual appearance, smell, and feel, and inspect for indications of damaged or malfunctioning components.

4. Where an unsatisfactory condition is found, the item shall be identified on the "Unsatisfactory Items" sheet together with a statement of the condition observed. Corrective action in terms of adjustments, repairs, or replacements of items shall be detailed on a TWD, SRO, or other appropriate document. (See NAVFAC P-300 for a sample SRO.)

5. Brake data measurements shall be recorded on the "Brake Data" sheet. Measurement attributes and criteria shall be based on brake and/or crane OEM recommendations and/or recommendations of the activity engineering organization. In addition to minimum and maximum settings, a preferred setting may be specified where appropriate. Where measurements are inaccessible without disassembly, those measurements need only be taken when the brake is disassembled.

6. Where measurements are specified by the activity engineering organization, those measurements shall be recorded. Wire rope dimensional measurements shall be recorded.

7. As an alternative to the above dimensional measurements, gages may be used if supplied by the OEM or as approved by the activity engineering organization. If gages are used, the gage part number or drawing number shall be recorded on the MISR.

8. Where an inspection item applies to multiple components (e.g., main hoist, auxiliary hoist, whip hoist), each component shall be identified in the "system inspected" column.

9. These inspection criteria address most of the features and components on typical cranes. If a crane is equipped with features or components not specifically covered by these requirements, those features and components shall be inspected (where inspection is practical, as determined by the activity engineering organization and approved by the certifying official) for proper condition and operation, e.g., emergency dynamic braking, motor overspeed and over temperature sensors, travel and rotate limit switches, and micro drives.

10. Where "NA" is used to note that an inspection criterion does not apply due to a reason other than the component or feature is not on the crane, or other than the inspection is not required due to the type of inspection (e.g., a "B" inspection item during an "A" inspection), the reason for the "NA" shall be entered on the "Remarks" sheet. For example, if an "NA" is entered in the electric magnetic brake system brake lining inspection criterion (item 27a below the dashed line) due to the crane having holding brakes and this not being the second "C" inspection, these facts shall be noted on the "Remarks" sheet.

11. Items marked with a lower case sigma ( $\sigma$ ) after the item number may be inspected by a mechanic or electrician in lieu of an inspector.



# MAINTENANCE INSPECTION SPECIFICATION AND RECORD FOR CATEGORY 1 AND 4 CRANES

SHEET 1 OF \_\_\_\_\_

Crane		Type		OEM		Capacity				
Prior Inspection			Current Inspection			Legend: Check under condition S = Satisfactory    C = Corrected (If deferred, leave blank and identify on Unsatisfactory Items sheet.) U = Unsatisfactory    NA = Not Applicable				
DATE/HOURS		TYPE	DATE/HOURS		TYPE					
Item No	Inspection Type			Items to be Inspected	Maintenance Inspection Specification	System Inspected	Condition			
	A	B	C				S	U	C	NA
1	X	X	X	Cooling System (Hoses, Thermostat, Pump, Radiator)	Inspect hoses for cracks, clamps for evidence of looseness, and entire system for leaks. Inspect for proper coolant level, color, abnormal particles, and clarity. During operation, inspect for leaks and verify proper shutter operation. Inspect for proper engine coolant temperature. Listen for abnormal noise originating from the water pump and inspect for leaking seals.					
		X	X		Inspect for proper coolant freeze protection. Inspect radiator fan for damage.					
2	X	X	X	Lube Oil Lines and Lube Pressure	Inspect for evidence of loose connections, leakage, or damage. During operation, inspect for leaks. Inspect gauge for proper lube oil pressure.					
3 <sup>o</sup>	X	X	X	Fuel Lines and Fuel Pressure	Inspect for evidence of loose connections, leakage, or damage. During operation, inspect for leaks. Verify proper operation of the fuel pump and fuel pressure gauge and inspect fuel pressure.					
4 <sup>o</sup>			X	Starter	Inspect for damaged or deteriorated wiring, evidence of loose connections, and proper lubrication. Operate starter and listen for abnormal noise and verify proper operation.					
5 <sup>o</sup>		X	X	Air Starting Lines	Inspect for evidence of loose connections and damage. When lines are charged, inspect for leaks. Inspect lubricators for lubrication level and leakage.					
6 <sup>o</sup>		X	X	Drive Belts	Inspect drive belts on fan, water pump, oil pumps, alternator, and external fuel transfer pumps for tension and wear.					
7 <sup>o</sup>		X	X	Engine Alternator/ Generator (Battery Charging System)	Inspect for cleanliness and proper lubrication. Inspect external wiring for damage, deterioration, or oil or grease contamination, and for evidence of loose connections. During operation, inspect for rubbing, vibration, and sparking. Listen for abnormal noise. Verify that alternator/generator is properly charging batteries.					
8 <sup>o</sup>		X	X	Battery and Cables	Inspect battery for proper electrolyte level, cleanliness, structural distortion, damaged racks/holders, and evidence of loose terminals. Inspect battery cables for damage or deterioration, and for evidence of loose connections.					
9 <sup>o</sup>		X	X	Voltage Regulator (Battery Charging System)	Inspect for evidence of loose or damaged wires and connections. During operation, verify regulator cycles and does not overcharge batteries.					
10 <sup>o</sup>		X	X	Engine Wiring	Inspect wiring to lights, warning devices, and meter connections for damage or deterioration, and for evidence of loose connections.					

# MAINTENANCE INSPECTION SPECIFICATION AND RECORD FOR CATEGORY 1 AND 4 CRANES

SHEET 2 OF \_\_\_\_\_

Crane										
Item No	Inspection Type			Items to be Inspected	Maintenance Inspection Specification	System Inspected	Condition			
	A	B	C				S	U	C	NA
11 <sup>σ</sup>		X	X	Gauges (Oil, Fuel, Temp, Ammeter, Tachometer, etc.)	Inspect for identification, legibility, and condition. Inspect for evidence of loose electrical or mechanical connections. Verify operation (calibration not required).					
12		X	X	Turbocharger	Inspect for evidence of loose or missing mounting bolts and parts. During operation, inspect for vibration and oil leaks. Listen for abnormal noise.					
13		X	X	Governor	Inspect linkage for evidence of binding, looseness, and damaged parts. Inspect for proper oil level. Verify proper operation.					
14 <sup>σ</sup>	X	X	X	Fuel Filters	Inspect for leaks prior to and during operation.					
15 <sup>σ</sup>	X	X	X	Air Cleaner	Inspect mounting brackets for evidence of loose or missing fasteners. Inspect for proper oil level and condition of filter element or vacuum indicator.					
16 <sup>σ</sup>		X	X	Throttle Linkage	Inspect for evidence of loose and damaged components. Verify proper operation.					
17		X	X	Clutch-Main Drive	Inspect linkage for damage, for evidence of binding, loose and worn components, and for proper lubrication and adjustment. During operation, inspect for slippage and evidence of binding. Listen for abnormal noise.					
			X		At every second "C" inspection, disassemble and inspect all internal components. Note: This item applies to friction-type cranes; it does not apply to chassis drive clutches.					
18 <sup>σ</sup>		X	X	Exhaust System	Inspect for holes, for damaged gaskets, for evidence of loose or missing fasteners, and for proper insulation. During operation, inspect for leaks and sparks. Listen for abnormal noise.					
19	X	X	X	Engine Condition	During operation, inspect for excessive smoking and vibration. Listen for abnormal noise. Follow main and or auxiliary engine OEM guidelines for specific additional inspection items.					
20		X	X	Engine Alarm Safety Devices	Inspect wiring for damage or deterioration, and for evidence of loose connections.					
20a			X	Engine Alarm Safety Devices (not applicable to auxiliary or mobile crane engines)	Verify proper operation of engine overspeed, oil system, and water system shutdown and/or alarm systems by testing with sensors installed where practical. If sensor removal is necessary for shop testing or calibration, reinstallation and inspection shall be per controlled procedures approved by the activity engineering organization.					
21			X	Heat Exchanger	Inspect for oil and water leaks, and for evidence of loose or missing fasteners. During operation, verify operation of temperature gauges.					
22 <sup>σ</sup>			X	Fuel Tank	Inspect fuel tank for leaks, for condition of gauge, and for evidence of loose or missing fasteners. Inspect fuel strainers and filters. Inspect for proper venting. Inspect for visible corrosion and evidence of corrosion below fuel level and debris in fuel.					
23	X	X	X	Clutches (Boom, Hoist, Swing, and Travel)	Inspect clutch linkage for damage, for evidence of binding and loose or worn components, and for proper lubrication and adjustment. Inspect clutch linings for wear, de-bonding, and glazing, and drums for smoothness and for evidence of overheating. During operation, inspect for slippage and evidence of binding. Listen for abnormal noise.					

# MAINTENANCE INSPECTION SPECIFICATION AND RECORD FOR CATEGORY 1 AND 4 CRANES

SHEET 3 OF \_\_\_\_\_

Crane

Item No	Inspection Type			Items to be Inspected	Maintenance Inspection Specification	System Inspected	Condition			
	A	B	C				S	U	C	NA
24	X	X	X	Mechanical Brakes	Inspect system for damage, for evidence of binding, loose, and worn components, and for proper lubrication. Inspect brake linings for wear, and drums for smoothness and for evidence of overheating. Inspect brakes for proper settings and for alignment of brake shoes. During operation, verify proper release, engagement, and stopping action in both directions of motion. Inspect for evidence of overheating.					
		X	X	Brake Linings	Disassemble as required to inspect brake linings for wear, de-bonding, and glazing. For hoist brakes that stop the movement of the load under normal operation conditions, this shall be done annually. For other hoist brakes (i.e., holding brakes) and for rotate and travel brakes (including chassis travel brakes), disassemble as required at every second "C" inspection.					
25 a	X	X	X	Hydraulic Brake System (Shoe, Caliper/Disc, and Band Type Brakes)	Inspect system for damage, for evidence of binding, loose, and worn components, and for proper lubrication. Inspect brake linings for wear, and drums or rotors for smoothness, and for evidence of overheating. Inspect brakes for proper settings and for alignment of brake shoes, calipers, and bands. Inspect master cylinders for proper hydraulic brake fluid level. Inspect lines for damage or leakage, and for evidence of loose connections. During operation, verify proper release, engagement, and stopping action in both directions of motion. Inspect for evidence of overheating. (Not applicable to internal disc brakes on mobile and floating crane hoist and rotate assemblies.)					
		X	X	Brake Linings	Disassemble as required to inspect brake linings for wear, de-bonding, and glazing. For hoist brakes that stop the movement of the load under normal operation conditions, this shall be done annually. For other hoist brakes (i.e., holding brakes) and for rotate and travel brakes (including chassis travel brakes), disassemble as required at every second "C" inspection. (Not applicable to internal disc brakes on mobile and floating crane hoist and rotate assemblies.)					
25 b	X	X	X	Hydraulic Brake System (Caliper Brakes on Wire Rope Drums)	Inspect system for damage, for evidence of binding, loose, and worn components, and for proper lubrication. Inspect brake linings for wear, and braking surfaces for smoothness and for evidence of overheating. Inspect brakes for proper settings and for alignment of calipers. Inspect for proper hydraulic brake fluid level. Inspect system (pumps, accumulator, gauges, and lines) for damage or leakage, and for evidence of loose connections. During operation, verify proper release and engagement and stopping action in both directions of motion and timing of release and engagement. For brakes with Belleville torque springs, record the number of cycles as shown on the brake cycle counter.					

# MAINTENANCE INSPECTION SPECIFICATION AND RECORD FOR CATEGORY 1 AND 4 CRANES

SHEET 4 OF \_\_\_\_\_

Crane

Item No	Inspection Type			Items to be Inspected	Maintenance Inspection Specification	System Inspected	Condition			
	A	B	C				S	U	C	NA
25 b cont		X	X	Hydraulic Brake System (Caliper Brakes on Wire Rope Drums)	Compare the total number of cycles applied to each brake actuator's Belleville springs to the allowable maximum number of cycles specified for that actuator and ensure that none of the springs have exceeded the maximum value. Record Belleville spring cycle limit and number of cycles in the equipment history file. (For brakes without cycle counters, the activity shall conservatively estimate the brake usage and ensure that the springs are replaced before their fatigue life is reached.)					
25b cont		X	X	Brake Linings	Disassemble as required to inspect brake linings for wear, de-bonding, and glazing. For brakes that stop the movement of the load under normal operating conditions, disassembly, as required, shall be done annually. For other brakes (e. g., holding brakes), disassemble as required at every second "C" inspection.					
26	X	X	X	Air Brake System	Inspect system for damage, for evidence of binding, loose, and worn components, and for proper lubrication. Inspect brake linings and discs for wear, and drums or rotors for smoothness and for evidence of overheating. Inspect brakes for proper settings, and for alignment of shoes, calipers, and bands. Inspect air lines for damage and evidence of loose connections. During operation, verify proper release, engagement, and stopping action in both directions of motion. Verify proper operation of the air application valves and inspect air application valves and air lines for leaks.					
		X	X	Brake Linings	Disassemble as required to inspect brake linings for wear, de-bonding, and glazing. For hoist brakes that stop the movement of the load under normal operation conditions, this shall be done annually. For other hoist brakes (i.e., holding brakes) and for rotate and travel brakes (including chassis travel brakes), disassemble as required at every second "C" inspection.					
27a	X	X	X	Electric Magnetic Brake System (Shoe Type Brakes including Thruster Brakes)	Inspect system for damage, evidence of binding, loose, worn components, and proper lubrication. Inspect brake linings for wear, and drums for smoothness and for evidence of overheating. Inspect brakes for proper settings and for alignment of brake shoes. Inspect wiring for damage or deterioration, and for evidence of loose connections. During operation, inspect for proper release, engagement, and stopping action in both directions of motion and timing of release and engagement. Inspect for evidence of overheating or other evidence of incomplete brake release. For thruster brakes, check hydraulic thruster actuator reservoir for fluid level and leakage.					
		X	X	Brake Linings	Disassemble as required to inspect brake linings for wear, de-bonding, and glazing. For hoist brakes that stop the movement of the load under normal operation conditions, this shall be done annually. For other hoist brakes (i.e., holding brakes) and for rotate and travel brakes, disassemble as required at every second "C" inspection.					

# MAINTENANCE INSPECTION SPECIFICATION AND RECORD FOR CATEGORY 1 AND 4 CRANES

SHEET 5 OF \_\_\_\_\_

Crane										
Item No	Inspection Type			Items to be Inspected	Maintenance Inspection Specification	System Inspected	Condition			
	A	B	C				S	U	C	NA
27 b	X	X	X	Electric Magnetic Brake System (Disc Type Brakes)	Inspect brake housings for damage or evidence of loose hardware. Inspect brakes for proper settings. During operation, verify proper release, engagement, alignment of components, and stopping action in both directions of motion and timing of release and engagement. Inspect for vibration and overheating. Listen for abnormal noise.					
		X	X	Internal Brake Components	Disassemble as required to inspect brake linings for wear, debonding, alignment of components, or glazing or for damaged brake discs, splines, or other internal components. For hoist brakes that stop the movement of the load under normal operation conditions, this shall be done annually. For other hoist brakes (i.e., holding brakes) and for rotate and travel brakes, disassemble as required at every second "C" inspection.					
28		X	X	Shafts and Couplings, including couplings integral to motor/speed reducer assemblies.	Inspect for damage, for leaking seals, and for evidence of loose keys, coupling bolts, and covers. During operation, inspect for vibration and other evidence of misalignment or damaged components. Listen for abnormal noise. Inspect for evidence of bearing damage, overheating, and abnormal wear. Inspect pillow blocks for damage, paying special attention to possible cracks in cast iron pillow blocks loaded in shear and tension, loose or missing fasteners, and cracks caused by overtensioned fasteners.					
			X	Boom, Hoist, and Single Rotate Drives	Verify coupling alignments are within OEM tolerances at every second "C" inspection (not applicable to NEMA c, d, and p-face motors). Coupling alignment verification data shall be filed in the equipment history file.					
29 a		X	X	Gearing (Boom, Hoist, Rotate, Travel) External Gears	Inspect for damaged or worn gears, for evidence of misalignment or loose keys or fasteners, and for proper lubrication. During operation, listen for abnormal noise, and inspect for other evidence of possible damage. Inspect pillow blocks for damage, paying special attention to possible cracks in cast iron pillow blocks loaded in shear and tension, loose or missing fasteners, and cracks caused by over-tensioned fasteners.					
29 b		X	X	Gearing (Boom, Hoist, Rotate, Travel) Internal Gears	Inspect for proper gear case lubricant level, leaks, and evidence of loose or missing mounting fasteners. Inspect breathers for restrictions. During operation, inspect for vibration, overheating, and other evidence of damaged internal components or misalignment. Listen for abnormal noise. Inspect for evidence of bearing damage, overheating, and abnormal wear.					
29 c		X	X	Internal Gears, Boom, Hoist, and Single Rotate Drives. (Not applicable to hydraulic mobile cranes.)	Monitor using an oil or vibration analysis program. The oil or vibration analysis shall be performed at least once each certification period with results analyzed by a qualified source. The results of the analysis shall be documented and retained in the equipment history file for the life of the component.					

# MAINTENANCE INSPECTION SPECIFICATION AND RECORD FOR CATEGORY 1 AND 4 CRANES

SHEET 6 OF \_\_\_\_\_

Crane:

Item No	Inspection Type			Items to be Inspected	Maintenance Inspection Specification	System Inspected	Condition			
	A	B	C				S	U	C	NA
29 c cont			X	Internal Gears, Boom, Hoist, and Single Rotate Drives- Alternate. (Not applicable to hydraulic mobile cranes.)	As an alternative to oil or vibration analysis, internal gears shall be visually inspected for wear or damage and for evidence of misalignment. If all gears cannot be visually inspected through inspection ports or by video probe or similar inspection devices, the gear cases shall be disassembled for visual inspection. If this alternative is selected, perform inspections at every third "C" inspection. Document the results in equipment history file.					
29 d		X	X	Hydraulic Mobile Crane Hoist and Rotate Drives (Also see Item # 35a)	Follow OEM service guidelines for disassembly, inspection, and replacement and/or repair of internal components such as gears, clutches, internal brake components, spline couplings, etc. Document OEM inspection/replacement interval and crane age in history files. Note: Use this item for Westmont floating crane (YD) hydraulic rotate drives and brakes.					
30			X	Chains and Sprockets	Inspect chains for proper tension, lubrication, and for evidence of loose or worn links and pins. Inspect sprockets for worn or damaged teeth, for evidence of loose shafts and keys, and for proper lubrication. During operation, listen for abnormal noise.					
31	X	X	X	Pawls, Ratchets, and Rotate Locks	Inspect for evidence of loose, damaged, or worn components. Inspect operating system for evidence of worn keys, loose fasteners, and broken springs. Operate pawls and rotate locks and inspect for proper setting. Verify limit switch and indicator light operation.					
32 <sup>o</sup>		X	X	Air Compressor	Inspect for cleanliness, for evidence of loose or missing mounting fasteners, for proper belt tension and wear, and for condition of filters. During operation, verify proper operation of unloader valve and pressure switch. Listen for abnormal noise and inspect for vibration.					
33	X	X	X	Pressure Vessel Inspection Certificate	Verify that pressure vessel inspection certificate is properly posted and current. (See UFC 3-430-07 or appropriate document for test procedure).					
34		X	X	Air Control System	Inspect valves, cylinders, lines, regulators, and gauges for damage or deterioration, and for evidence of loose or missing fasteners. During operation, inspect system for leaks, and verify proper operation of valves, regulators, and gauges. Inspect controllers for damaged or worn seals, boots and guards.					
35		X	X	Hydraulic System	Inspect hydraulic system components, including but not limited to motors, pumps, valves, cylinders, swivels, axle lockout devices, coolers, lines, regulators, and gauges for damage or deterioration, and for evidence of loose or missing fasteners. Inspect reservoir for proper fluid level. During operation, inspect system for leaks, and verify proper operation of motors, brakes, pumps, valves, cylinders, area definition devices, axle lockouts, regulators, and gauges. Ensure manual valves are properly positioned. Inspect controllers for damaged or worn seals, boots and guards.					

# MAINTENANCE INSPECTION SPECIFICATION AND RECORD FOR CATEGORY 1 AND 4 CRANES

SHEET 7 OF \_\_\_\_\_

Crane

Item No	Inspection Type			Items to be Inspected	Maintenance Inspection Specification	System Inspected	Condition			
	A	B	C				S	U	C	NA
35a		X	X	Hoist Hydraulic Systems (including boom lift and telescoping functions)	Monitor using an oil analysis program. The oil analysis shall be performed at least once each certification period with results analyzed by a qualified source. The results of the analysis shall be documented and retained in the equipment history file for the life of the component. Ensure hydraulic system filters are changed in accordance with OEM requirements.					
36			X	Wheels and Axles	Inspect wheels for uneven wear, flat spots, chips, flange wear, and cracks, for evidence of loose or missing fasteners and bearing caps, and for proper lubrication. For mobile crane wheels, perform inspections in accordance with OEM recommendations. During operation, inspect for excessive movement between components, improper tracking, overheating, and other evidence of component wear or bearing damage. Listen for abnormal noise.					
37	X	X	X	Mobile Crane Chassis (Steering, and Suspension)	Inspect components for damage or deterioration, and for evidence of loose or missing fasteners and cracked welds. During operation, inspect for abnormal play and other evidence of component wear. Listen for abnormal noise.					
38	X	X	X	Tires	Inspect for proper air pressure. Inspect for damage, deterioration, or worn treads, and for evidence of loose or missing wheel lugs.					
39			X	Crawler System	Inspect crawler tracks for damaged or broken treads, missing or broken pins, for proper track adjustment, and for evidence of loose or missing fasteners. Inspect drive sprockets for broken teeth, worn idlers or rollers, damaged track adjusting screws, damaged or missing lubrication fittings, and for proper lubrication. During operation, inspect for abnormal play, overheating, and other evidence of bearing damage or component wear. Listen for abnormal noise.					
40			X	Travel Trucks, Equalizers, Gudgeons, Gudgeon Pins, and Retainers	Inspect for damage or deterioration, for evidence of loose or missing fasteners and cracked welds, and for proper lubrication. Verify proper operation.					
41	X	X	X	Outrigger Assemblies	Inspect for damage or deterioration, and for evidence of loose or missing fasteners. During operation, inspect system for leaks, and verify proper operation of cylinders. Ensure drain holes are clear.					
42		X		Structure (Portal Base, Boom (except mobile crane boom), A-Frame, Tower, Stiff legs, Sills, Support Pins, Retainers, etc.)	Visually inspect structural components for damaged, distorted, or deteriorated members and for evidence of loose or missing fasteners and cracked welds. Inspect support pins for proper lubrication. For damaged booms, see section 6. Ensure drain holes are clear. This inspection does not include inaccessible areas such as voids and crawl spaces.					

# MAINTENANCE INSPECTION SPECIFICATION AND RECORD FOR CATEGORY 1 AND 4 CRANES

SHEET 8 OF \_\_\_\_\_

Crane										
Item No	Inspection Type			Items to be Inspected	Maintenance Inspection Specification	System Inspected	Condition			
	A	B	C				S	U	C	NA
42 cont			X	Structure (Portal Base, Boom (except mobile crane boom), A-Frame, Tower, Stiff legs, Sills, Support Pins, Retainers, etc.)	Inspect structural components for damaged, distorted, or deteriorated members (remove wire rope buffer blocks every "C" inspection to ensure they are not hiding boom corrosion), and for evidence of loose or missing fasteners and cracked welds. Inspect support pins for proper lubrication. For damaged booms, see section 6. Ensure drain holes are clear. This inspection is in more detail and includes usually inaccessible areas such as voids and crawl spaces.					
43		X	X	Mobile Crane Boom	Inspect boom structure for damaged, distorted, or deteriorated members (remove wire rope buffer blocks to ensure they are not hiding boom corrosion), and for evidence of loose or missing fasteners and cracked welds. Inspect support pins for proper lubrication. For damaged booms, see section 6. Ensure drain holes are clear.					
43a	X	X	X	Telescoping Boom	Verify smooth operation, and inspect for proper lubrication and evidence of abnormally worn or improperly adjusted wear pads. Ensure drain holes are clear.					
44		X	X	Handrails, Walkways, Ladders, and Personnel Safety Guards	Inspect for damage or deterioration, and for evidence of loose or missing fasteners and cracked welds.					
45			X	Counterweight	Inspect counterweight and counterweight support structure for damage or deterioration, and for evidence of loose or missing fasteners. For concrete counterweights, inspect for loose or missing concrete.					
46			X	Rotate Path Assembly	Inspect spider assembly and roller path for damage or deterioration, and for evidence of loose or missing fasteners and cracked welds. Inspect rollers for uneven wear, flat spots, chips, flange wear, cracks, or deterioration, for evidence of loose or missing fasteners, and for proper lubrication. During operation, verify free rotation of rollers and inspect for evidence of misalignment.					
47			X	Center Pin Steadiment and Support Assembly.	Inspect for damaged or deteriorated components, and for evidence of loose or missing fasteners and cracked welds. Inspect for proper lubrication.					
48		X	X	Center Collector Assembly (Electrical or Hydraulic)	Inspect for loose or bent supports. Inspect wiring for damage or deterioration, and for evidence of loose connections. Inspect for worn brushes and proper spring tension. Inspect slip rings for damage, deterioration, indications of excessive wear, streaking, arcing/overheating, and proper contact. During operation, verify brush to collector ring alignment. Inspect for loose hydraulic connections, defective tubing, and leaks. Inspect for signs of damaged or worn bearings and smooth/proper rotation.					



# MAINTENANCE INSPECTION SPECIFICATION AND RECORD FOR CATEGORY 1 AND 4 CRANES

SHEET 9 OF \_\_\_\_\_

Crane

Item No	Inspection Type			Items to be Inspected	Maintenance Inspection Specification	System Inspected	Condition			
	A	B	C				S	U	C	NA
49	X	X	X	Slewing Ring Bearings	Lubricate bearing at every "A", "B", and "C" inspection unless OEM requires more frequent lubrication. Bearing should be rotated while it is lubricated and rotated 720 degrees as a minimum. Inspect expelled lubricant for evidence of metal flakes or metal or plastic particles.					
49a		X	X	Slewing Ring Bearings	Inspect fasteners for proper tightness. For portal and floating cranes, measure and record internal axial clearance (thrust direction) between bearing rollers (balls) and races. Refer to OEM's literature for method and acceptance/rejection criteria. For mobile cranes, follow OEM recommendations for bearing wear inspection. RCDRs on periodicity, method, or acceptance/rejection criteria will be evaluated if the requesting activity obtains input and concurrence from the crane and bearing OEM. (If tightness verifications or clearance/wear checks are performed by maintenance personnel, the inspector shall perform an in-process review on a sample basis.) During operation, listen for abnormal noise and inspect for vibration.					
49b			X	Slewing Ring Bearings	Inspect fasteners for proper tightness. For cranes that have had a minimum of three consecutive satisfactory fastener tightness inspections with a torque wrench, tensioner, ultrasonic tension measuring device, or other measuring device that measures tension, the fastener tightness inspection with a torque wrench, tensioner, or ultrasonic tension measuring device may be performed at every "C" inspection in lieu of every "B" inspection. A visual inspection of tightness shall still be performed at every "B" inspection. A satisfactory tightness inspection is defined as no more than one loose fastener in any ring of fasteners for mobile cranes, or no more than five loose fasteners in any ring of fasteners for portal and floating cranes. All loose fasteners detected using this option shall be reported to the Navy Crane Center, Code 03. Loose fasteners shall be identified by permanent fastener number/location on inner or outer ring.					

# MAINTENANCE INSPECTION SPECIFICATION AND RECORD FOR CATEGORY 1 AND 4 CRANES

SHEET 10 OF \_\_\_\_\_

Crane

Item No	Inspection Type			Items to be Inspected	Maintenance Inspection Specification	System Inspected	Condition			
	A	B	C				S	U	C	NA
50			X	Wire Rope Drums, Followers, and Machinery Foundations	Inspect drums for distortion, cracks, worn grooves, and for evidence of loose or missing fasteners and cracked welds. Inspect wire rope followers for proper adjustment and alignment. Inspect bearings for evidence of damage, overheating, or abnormal wear. Inspect machinery foundations for damaged or deteriorated components, and for evidence of loose or missing fasteners and cracked welds. During operation, verify that at least two complete wraps of wire rope remain on grooved drums (at least three complete wraps on ungrooved drums) in all operating conditions, including extremes of hook or boom positions. Listen for abnormal noise. Inspect for vibration, overheating, and other evidence of component wear, bearing damage, or misalignment. Inspect pillow blocks for damage, paying special attention to possible cracks in cast iron pillow blocks loaded in shear and tension, loose or missing fasteners, and cracks caused by overtensioned fasteners.					
51		X	X	Sheaves, Equalizer Bar	<p>Inspect for abnormally worn or corrugated grooves, flat spots, abnormal play, and broken or cracked flanges in sheaves. Inspect for evidence of loose or missing fasteners, keepers, and lubrication fittings. Gage the wire rope grooves of all sheaves. Pay particular attention to sections of equalizer sheaves and saddles in contact with wire rope and where corrosion may develop because of poor drainage; these sections of equalizer sheaves and saddles shall be exposed and examined during "C" inspections for boom hoists and "B" inspections for all other hoists. During operation, verify free movement of all sheaves. Listen for abnormal noise. Inspect for abnormal play, overheating, and other evidence of component wear or bearing damage. For polymer (plastic) sheaves, inspect for proper adjustment of sheave bearings (using OEM bearing specifications), inspect sheaves for any signs of abnormal play or wobble, cracks, deformation of the sheave hub, web, or flange, or bearing working loose from the sheave hub. Inspect equalizer bar for damage or deteriorated components. Ensure free movement and that bar does not bottom out over the range of hoist/boom operation.</p> <p>Note: Inspection of extend/retract sheaves internal to telescoping booms may be limited to inspection through boom inspection ports unless there is evidence of deterioration or damage requiring disassembly of boom for complete inspection or replacement. For cranes without inspection ports, this Note may be utilized if the extend/retract cables, sheaves, and cable end connections can be visually inspected from either end of the boom.</p>					

# MAINTENANCE INSPECTION SPECIFICATION AND RECORD FOR CATEGORY 1 AND 4 CRANES

SHEET 11 OF \_\_\_\_\_

Crane

Item No	Inspection Type			Items to be Inspected	Maintenance Inspection Specification	System Inspected	Condition			
	A	B	C				S	U	C	NA
52		X	X	Wire Rope, Fastenings, and Terminal Hardware. See next page for wire rope rejection criteria.	<p>Thoroughly inspect the entire length of running ropes and standing ropes. The depth and detail of the inspection shall be that necessary to ensure that the entire rope is acceptable with special attention paid to areas of expected wear or damage, areas not normally visible to the operator during operation or pre-use check, and rotation-resistant rope. During the inspection, pay the wire rope out as far as possible. For sections that cannot be spooled off the drum, visual inspection of the wire rope on the drum is sufficient. Where it is not possible to pay out to the lowest layer, the crane shall not be used for applications where the uninspected rope (i.e., covered layers) would be spooled off the drum under load. The first layer of wire rope shall be properly reinstalled on the drum to provide adequate support for the upper layers. Remove wire rope dressing from selected areas exposed to significant wear, exposure, and abuse. Diameter measurements shall be taken at several places over the length of the rope. Record minimum dimension measured in the "remarks" block. Pay particular attention to sections in contact with equalizer sheaves and saddles or where corrosion may develop because of poor drainage; these sections shall be exposed and examined during "C" inspections for boom hoists and "B" inspections for all other hoists. Inspect wear blocks to ensure rope is not contacting structure. Lubricate areas after inspection.</p> <p>Inspect for defects noted below and for proper lubrication. Inspect poured sockets, wedge sockets, swage fittings, eyes, swivels, trunnions, and fasteners for undue looseness, wear, cracks, corrosion, and other damage. A special area to inspect is the base (lug or bail) to shank transition area for swaged sockets. Undue looseness in poured sockets is defined as looseness or evidence of slippage of wires in the securing material, evidence of deterioration of the securing material, looseness of wire rope strands or wires adjacent to the socket or any looseness resulting from cracks or other defects in the basket. Evidence of looseness between the securing material and the basket resulting solely from seating of the material in the basket is acceptable. Drum end fittings need only be disconnected or disassembled when experience or visible indications deem it necessary.</p> <p>Note: Inspection of extend/retract cables internal to telescoping booms may be limited to inspection through boom inspection ports in lieu of OEM required boom disassembly, unless there is evidence of deterioration or damage requiring disassembly of boom for complete inspection or replacement. For cranes without inspection ports, this Note may be utilized if the extend/retract cables, sheaves, and cable end connections can be visually inspected from either end of the boom. Additionally, perform measurement/adjustment to extend/retract cable tension/slack in accordance with OEM instructions.</p>					

Wire Rope Rejection Criteria. Remove damaged portions (or replace entire length, if necessary) if any of the following are found:

1. Kinked, Birdcaged, Doglegged, or Crushed Sections. Kinked, birdcaged, doglegged, or crushed rope in straight runs where the core is missing or protrudes through or between strands, or where the rope does not fit properly in sheave or drum grooves. (This does not apply to runs around eyes, thimbles, or shackles.)
2. Flattened Sections. Flattened sections where the diameter across the flat is less than 5/6 of nominal diameter. (This does not apply to runs around eyes, thimbles, and shackles.)
3. Broken Wires
  - a. Running Ropes. Six randomly distributed broken wires in one lay or three broken wires in one strand in one lay. For rotation-resistant wire rope, two in a length equal to six times the rope diameter or four in a length equal to 30 times the rope diameter. One outer wire broken at the point of contact with the core of the rope that has worked its way out of the rope structure and protrudes or loops out from the rope structure ("valley break"). For end connections, two broken wires within one lay length of the end connection.
  - b. Standing, Guy, and Boom Pendant Ropes. Three broken wires in one lay length in sections beyond end connection or two broken wires within one lay length of the end connection.
4. Loss in Diameter. Reduction from nominal diameter of more than five percent.
5. High or Low Strand. High or low strand where the height or depth exceeds one-half the strand diameter.
6. Corrosion. Corrosion such that significant pitting occurs on the surfaces of outside wires and obvious signs of internal corrosion, such as magnetic debris coming from the valleys. Minor surface roughness on outside wires is acceptable provided no significant pitting occurs and the rope is not corroded internally. Significant pitting is defined as pitting that cannot be removed by abrasive removal of less than 1/3 of the original diameter of individual outside wires.
7. Heat Damage. Evidence of heat damage from any cause.
8. Wavy Rope. Wavy rope (where the longitudinal axis of the wire rope takes the shape of a helix instead of a line) when the diameter of the envelope of the wave is greater than 110 percent of the diameter of the nominal diameter of the wire rope (133 percent in straight sections where the rope does not pass over sheaves or the drum). Use ISO 4309 as a guide.
9. Accumulation of Defects. An accumulation of defects that in the judgment of the inspector creates an unsafe condition.
10. Splices. Wire rope shall not contain splices.

Note: For those sections of wire rope with high strands, wavy, or flattened rope, consideration should be given to increasing the inspection periodicity due to the possibility of increased wear and reeving/spooling issues.

# MAINTENANCE INSPECTION SPECIFICATION AND RECORD FOR CATEGORY 1 AND 4 CRANES

SHEET 12 OF           

Crane										
Item No	Inspection Type			Items to be Inspected	Maintenance Inspection Specification	System Inspected	Condition			
	A	B	C				S	U	C	NA
53	X	X	X	Hoist Blocks and Hooks	Inspect hoist blocks, cheek plates, swivels, trunnions, and lubrication fittings for damage or deterioration, cleanliness, freedom of movement, and for evidence of loose or missing fasteners. Inspect for loose, damaged, missing, or improperly sized retaining rings. Inspect hooks and mousing devices for damage. Inspect drip pans and gaskets for damage, proper clearance, and for evidence of loose or missing fasteners. Inspect for evidence of bearing damage, overheating, and abnormal wear. See appendix E for further inspections and tests.					
54	X	X	X	Insulated Link	Inspect link surface for conductive contaminants such as graphite, grease, metallic particles, or rust streaks. Inspect for damage. See appendix E for further inspections and tests.					
55 <sup>o</sup>		X	X	Machinery House and Operator's Cab	Inspect for leaks, broken glass, deterioration, and cleanliness. Verify proper operation of louvers, doors, windows, windshield wipers, heaters (particularly combustion heaters), air conditioners, operator's chair, and communication equipment.					
56		X	X	Load Warning Devices, Load Shutdown Devices	Inspect wiring for damage or deterioration, and for evidence of loose connections. These devices shall be tested for proper operation at this inspection or the CCIR/load test (mark N/A and explain in Remarks if performed at the CCIR/load test). Use SAE J-159 as a guide for calibration checks for (testing and tolerance) of category 1 and 4 mobile cranes. For other cranes, if not specified by device OEM, the preferred accuracy requirement for all devices is to warn or shutdown at the set point minus 10 percent of the actual weight at the set point. Do not test beyond 125 percent of rated capacity (105 percent for mobile cranes, mobile boat hoists, and rubber-tired gantry cranes). If SAE guidelines or preferred accuracy requirement cannot be met, the minimum accuracy requirement is to warn or shutdown at the set point plus 5 percent minus 10 percent of the actual weight at the set point. Testing shall ensure the overload warning or shutdown works properly to warn or prevent an overload and does not engage at a nuisance low level. Testing values will depend on test weight availability and is not required to prove exact tolerances specified above.					
56a		X	X	Load Indicators	Inspect wiring for damage or deterioration, and for evidence of loose connections. These devices shall be tested for proper operation at this inspection or the CCIR/load test (mark N/A and explain in Remarks if performed at the CCIR/load test). Use SAE J-159 as a guide for calibration checks for (testing and tolerance) of category 1 and 4 mobile cranes. For other cranes, if not specified by device OEM, the preferred accuracy requirement for all devices is plus 10 percent minus 0 percent of the actual weight. Do not test beyond 125 percent of rated capacity (100 percent for mobile cranes, mobile boat hoists, and rubber-tired gantry cranes). If SAE guidelines or preferred accuracy requirement cannot be met, the minimum accuracy requirement is plus 10 percent minus 5 percent of the actual weight.					

# MAINTENANCE INSPECTION SPECIFICATION AND RECORD FOR CATEGORY 1 AND 4 CRANES

SHEET 13 OF \_\_\_\_\_

Crane \_\_\_\_\_

Item No	Inspection Type			Items to be Inspected	Maintenance Inspection Specification	System Inspected	Condition			
	A	B	C				S	U	C	NA
57 <sup>σ</sup>		X	X	Drum Rotation Indicators	Inspect wiring for damage or deterioration, and for evidence of loose connections. Verify proper operation.					
58		X	X	Radius/Boom Angle Indicator	Verify radius indications by comparing against measured radii at the minimum and maximum boom operating positions. Verify boom angle indications by comparing the indicated boom angle to the boom angle on the load chart corresponding to the boom length and measured radius. This test shall be accomplished at the minimum and maximum boom operating positions. This may be performed during the CCIR/load test in lieu of this inspection (mark N/A and explain in Remarks if performed at the CCIR/load test). Use SAE J-159 as a guide for calibration checks (testing and tolerance) of applicable systems. For other cranes, if not specified by the crane of radius indicator/boom angle indicator OEM, the preferred accuracy requirements are plus 10 percent minus 0 percent of the actual radius (or equivalent boom angle). For all indicators, if the SAE guidelines or preferred accuracy requirements cannot be met, the minimum accuracy requirements are plus 10 percent minus 3 percent of the actual radius (or equivalent boom angle).					
59	X	X	X	Capacity Signs and Load Ratings	Inspect capacity signs and brackets for damage or deterioration, and for evidence of loose or missing fasteners. Verify that load ratings are correct, are noted in pounds, and are visible or otherwise available to the operator and riggers.					
60 <sup>σ</sup>	X	X	X	Fire Extinguishers	Verify inspection is current.					
61		X	X	Controllers	Inspect for broken or loose springs, cracked or loose operating levers, and pitted or burned contact points and segments. Inspect for broken segment dividers and insulators, for excessive arcing, for evidence of worn or loose cams, pins, rollers, or chains, and for evidence of loose connections. Inspect for proper contact pressure. Inspect wiring for damage or deterioration, and for evidence of loose connections. Inspect for identifying label plates and indicators, and that crane and controller horizontal direction indicators match. Inspect such parts as bearings, star wheels, and pawls for proper lubrication. Inspect for proper spring return and neutral latching. Inspect for damaged or worn seals, boots and guards. During operation, verify proper sequencing of speed points and operation of controller indicating lights and deadman switches. For cranes that utilize secondary or backup controllers, all controllers shall be operationally tested during either this inspection or the CCIR/test. If performed at the CCIR/test, note this in Remarks.					

# MAINTENANCE INSPECTION SPECIFICATION AND RECORD FOR CATEGORY 1 AND 4 CRANES

SHEET 14 OF \_\_\_\_\_

Crane

Item No	Inspection Type			Items to be Inspected	Maintenance Inspection Specification	System Inspected	Condition			
	A	B	C				S	U	C	NA
62		X	X	Control Panels, Relays, Coils, Transfer and Disconnect Switches, Conductors and Electronic (Solid State) Drive Control Systems	<p>Inspect (without removing) contacts for proper alignment, pitting, and evidence of excess heating and arcing. Inspect transfer and disconnect switches, conductors, coils and contact leads, and shunts for insulation breakdown, missing hardware, and evidence of overheating. Inspect wiring for damage, deterioration, and evidence of loose connections. Inspect fuses for proper ratings and type (see note 1 regarding disassembly), and for evidence of loose connections and overheating. Inspect overload devices for evidence of loose connections and overheating. Inspect circuit breakers and switches for cleanliness, loose broken worn or missing parts, and proper operation. Inspect panel boards and arc shields for cracks, evidence of loose or missing fasteners, cleanliness, and moisture. Manually operate relays, switches, contactors, and interlocks and verify that all moving parts operate freely without binding or excessive play. Inspect enclosures for cleanliness or damage, and for evidence of loose or missing fasteners and gaskets. During operation, verify proper operation of panel indicating lights and contactor sequence. Verify proper operation of environmental controls (e.g., strip heaters, cooling fans).</p> <p>Inspect the electronic (solid state) drive control systems wiring for damage or deterioration, and for evidence of loose connections. Visually inspect (without removing) components for evidence of damage or overheating. Verify that the drive is dry and free of dust, dirt, and debris. If applicable/possible, inspect condition of or replace drive backup batteries.</p>					
			X		Verify that the switch mechanism and/or handle on disconnects and safety switches cannot be moved to the energized or on position when locked in the de-energized or off position and that the handle properly indicates whether the switch is energized or de-energized.					
63		X	X	Resistors	Inspect resistors, insulators, and brackets for damage, distortion, deterioration, and for evidence of loose or missing fasteners or overheating. Inspect wiring for damage or deterioration, and for evidence of loose connections.					

# MAINTENANCE INSPECTION SPECIFICATION AND RECORD FOR CATEGORY 1 AND 4 CRANES

SHEET 15 OF \_\_\_\_\_

Crane

Item No	Inspection Type			Items to be Inspected	Maintenance Inspection Specification	System Inspected	Condition				
	A	B	C				S	U	C	NA	
64		X	X	Limit and Bypass Switches	Remove covers and inspect electrical and mechanical components and wiring for damage or deterioration, and for evidence of loose connections. Inspect enclosures for evidence of moisture and arcing. Inspect drive and actuating components for damage or deterioration, for proper lubrication, and for evidence of loose or missing fasteners. During operation, verify proper functioning of primary and secondary limit switches, indicator lights, settings, and bypass switches. Ensure proper functioning and setting of secondary hoist limit switches by using block (or boom) to engage limit switch and ensure block or boom does not two-block. This shall be performed and documented at least once during the life of the crane (or limit switch) and re-performed if the setting is affected or changed. Before performing, ensure switch is functioning properly electrically and station watch-stander to prevent damage. Check electrical function annually by using hand or other means to activate the switch. Check electrical function annually at this inspection, CCIR, or Appendix E no-load test by using hand or other means to activate the switch. If proper operation of secondary upper limit switch and/or lower limit switch is performed at the CCIR or Appendix E no-load test, note this in Remarks.						
65	X	X	X	Warning Devices, Operational Aids, General Safety Devices (Horns, Bells, Lights, Reflectors, etc.), Wind Speed Indicators	Inspect components and associated wiring for damage or deterioration, and for evidence of loose connections. The activity engineering organization may reduce the frequency of opening enclosures based on their exposure to weather and past findings. The reduced frequency shall be no less frequent than every sixth annual inspection. During operation, verify proper functioning of devices. Verify proper functioning of wind speed indicator.						
66 <sup>o</sup>		X	X	Electrical Hardware and General Lighting	Inspect conduits, raceways, junction boxes, light fixtures, and associated wiring for damage or deterioration, and for evidence of loose connections. Verify operation of lights. The activity engineering organization may reduce the frequency of opening enclosures based on their exposure to weather or based on past findings. The reduced frequency shall be no less frequent than a "C" frequency.						
67		X	X	Electrical Cable Reels	Inspect wiring for damage or deterioration, and for evidence of loose connections. Inspect reel assembly for damage, deterioration, and evidence of loose or missing fasteners. Inspect slip rings for damage, deterioration, indications of excessive wear, streaking, arcing/overheating, and proper contact. Verify proper operation.						



# MAINTENANCE INSPECTION SPECIFICATION AND RECORD FOR CATEGORY 1 AND 4 CRANES

SHEET 16 OF \_\_\_\_\_

Crane

Item No	Inspection Type			Items to be Inspected	Maintenance Inspection Specification	System Inspected	Condition			
	A	B	C				S	U	C	NA
68		X	X	Main and Auxiliary Generators.	Inspect generators and associated wiring for cleanliness, damage, deterioration, and evidence of loose connections. Inspect for proper lubrication. Inspect slip rings for damage, deterioration, indications of excessive wear, streaking, arcing/overheating, and proper contact. Inspect commutators for evidence of destructive commutation. Inspect brushes for proper brush tension and length, and for damage and deterioration. Inspect insulation for deterioration and evidence of overheating. Inspect drive belts or coupling for damage deterioration and evidence of misalignment and loose or missing fasteners. During operation, inspect for vibration, overheating, or other evidence of misaligned, worn, or damaged internal components or bearings. Listen for abnormal noise. Verify proper voltage output. Verify proper operation of environmental devices (e.g., strip heaters, cooling fans).					
69		X	X	Electric Motors (Boom, Hoist, Rotate, Travel)	Inspect motors (including accessible internal areas such as commutators and brushes) and associated wiring for cleanliness, damage, deterioration, and evidence of loose connections. Inspect for proper lubrication. Inspect slip rings for damage, deterioration, indications of excessive wear, streaking, arcing/overheating, and proper contact. Inspect commutators for evidence of destructive commutation. Inspect brushes for proper brush tension and length, and for damage and deterioration. Inspect insulation, for deterioration and evidence of overheating. During operation, inspect for vibration, overheating, other evidence of misaligned, worn, or damaged internal components or bearings. Listen for abnormal noise. Verify proper operation of environmental devices, (e.g., strip heaters, cooling fans).  Portal crane travel motors may be inspected at the following intervals: 25 percent at each "B" inspection, with the remaining 50 percent at the "C" inspection, unless issues are found at the "B" inspection that indicate that all motors should be inspected during the "B" inspection.					
70	X	X	X	Operation of Crane Controls	Verify proper operation of all hoist, rotate, and travel functions, primary and secondary limit switches, bypass switches, indicator lights, level indicators, and settings. See Item 64 for additional instructions during "B" and "C" maintenance inspections.					
71		X	X	Barge Compartments	Inspect compartments (voids) for standing water.					









(INTENTIONALLY LEFT BLANK)

APPENDIX D  
ANNUAL MAINTENANCE INSPECTION SPECIFICATION AND RECORD  
FOR CATEGORY 2 AND 3 CRANES

Notes:

1. The following are the minimum inspection requirements. Due to the various makes and models of cranes in the Navy inventory with unique or special components, these specifications may require additional instructions. Components need not be disassembled for inspection, except: (a) where noted specifically to disassemble; (b) where activity experience warrants disassembly of specific components; or (c) where problems indicated by these inspections require disassembly for further inspection. Where disassembly and reassembly are required, or for other detailed inspection guidelines, TWDs, SROs, or other work documents shall be utilized (except for inspection covers) to properly document the necessary steps required for disassembly, reassembly, and/or other inspection guidelines. Deleting or reducing the frequency of these inspections requires Navy Crane Center approval (see paragraph 3.6 for deferral of maintenance inspections). Justification shall be provided with the activity's request. Additional or more frequent inspections based upon activity experience or OEM recommendations may be performed at the discretion of the activity. Additional inspection requirements and recommendations for specific OEMs are contained in CSAs and EDMs located on the Navy Crane Center web-site (<https://www.navfac.navy.mil/ncc>).

2. These specifications include both non-operational and operational inspection criteria. Where necessary to ensure the safety of inspection and maintenance personnel, the crane shall be de-energized in accordance with approved lockout procedures.

3. For inspections that involve fluids (lubricants, coolants, brake fluid, hydraulic fluid, etc.) or grease, inspect the fluid or grease for visual appearance, smell, and feel, and inspect for indications of damaged or malfunctioning components.

4. Where an unsatisfactory condition is found, the item shall be identified on the "Unsatisfactory Items" sheet together with a statement of the condition observed. Corrective action in terms of adjustments, repairs, or replacements of items shall be detailed on a TWD, SRO, or other appropriate document. (See NAVFAC P-300 for a sample SRO.)

5. Brake data measurements shall be recorded on the "Brake Data" sheet. Measurement attributes and criteria shall be based on brake and/or crane OEM and/or activity engineering organization recommendations. In addition to minimum and maximum settings, a preferred setting may be specified where appropriate. Where measurements are inaccessible without disassembly, those measurements need only be taken when the brake is disassembled.

6. Where measurements are specified by the activity engineering organization, those measurements shall be recorded. Wire rope dimensional measurements and chain length measurements shall be recorded.

7. As an alternative to the above dimensional measurements, gages may be used if supplied by the OEM or as approved by the activity engineering organization. If gages are used, the gage part number or drawing number shall be recorded on the MISR.

8. Where an inspection item applies to multiple components (e.g., main hoist, auxiliary hoist), each component shall be identified in the "system inspected" column.

9. These inspection criteria address most of the features and components on typical cranes. If a crane is equipped with features or components not specifically covered by these requirements, those features and components shall be inspected (where inspection is practical, as determined by the activity engineering organization and approved by the certifying official) for proper condition and operation, e.g., emergency dynamic braking, motor overspeed and over temperature sensors, travel and rotate limit switches, and micro drives.

10. Where "NA" is used to note that an inspection criterion does not apply due to a reason other than the component or feature is not on the crane, the reason for the "NA" shall be entered on the "Remarks" sheet. For example, if an "NA" is entered in item 13b, electric magnetic brake system (disc type brakes), due to the crane having a mechanical load brake and this not being the sixth annual inspection, these facts shall be noted on the "Remarks" sheet.

11. Items marked with a lower case sigma ( $\sigma$ ) after the item number may be inspected by a mechanic or electrician in lieu of an inspector.



## ANNUAL MAINTENANCE INSPECTION SPECIFICATION AND RECORD FOR CATEGORY 2 AND 3 CRANES SHEET 1 OF \_\_\_\_\_

Crane	Type	OEM	Capacity				
Prior Inspection DATE		Current Inspection DATE	Legend: Check under condition S = Satisfactory      C = Corrected (If deferred, leave blank and identify on Unsatisfactory Items sheet) U = Unsatisfactory    NA = Not Applicable				
Item No	Items to be Inspected	Maintenance Inspection Specification		System Inspected			
				Condition			
				S	U	C	NA
1	Structure (Bridge Girders, Trolley, Trucks, Equalizer Beams, Gantry, Boom, Jib, Pillar, etc.)	Inspect structural components for damage, distortion, or deterioration, and for evidence of loose or missing fasteners and cracked welds. Inspect truck equalizer pins for proper lubrication. Ensure there is no interference between crane and building during operation. Ensure drain holes are clear for outdoor cranes.					
2	Rails and Tracks, including top running trolley rail and underhung trolley and runway beams (Not applicable to runway rails for top running bridge cranes and gantry cranes. See NAVFAC Instruction 11230.1.)	Inspect rails, tracks, splices, switches, hanger rod assemblies, and end stops for damage, deterioration, visible misalignment, and for evidence of loose or missing fasteners and cracked welds. Inspect for abnormal wear or other evidence of bridge or trolley misalignment. For rail systems used by multiple cranes, this rail inspection may be independent of the crane inspection, but shall be performed annually and be current at the time of the cranes' certification.					
3	Handrails, Walkways, Ladders, and Personnel Safety Guards	Inspect for damage or deterioration, and for evidence of loose or missing fasteners and cracked welds.					
4	Bumpers	Inspect for damage or deterioration, and for evidence of loose or missing fasteners.					
5	Jib Boom Bearings	Inspect rotate bearings for proper lubrication. Rotate boom and inspect for evidence of bearing damage, overheating, and abnormal wear.					
6	Wheels and Axles	Inspect wheels for uneven wear, flat spots, chips, flange wear, or cracks, for evidence of loose or missing fasteners and bearing caps, and for proper lubrication. During operation, inspect for excessive movement between components, improper tracking, overheating, and other evidence of component wear or bearing damage. Listen for abnormal noise.					
7	Shafts and Couplings, including couplings integral to motor/speed reducer assemblies	Inspect for evidence of damage, misalignment, leaking seals, and loose keys, coupling bolts, and covers. During operation, inspect for vibration, overheating, and other evidence of misaligned, worn, or damaged components or bearings. Listen for abnormal noise. Inspect pillow blocks for damage, paying special attention to possible cracks in cast iron pillow blocks loaded in shear and tension, loose or missing fasteners, and cracks caused by over-tensioned fasteners.					
	Shafts and Couplings (Hoist Drives)	Verify coupling alignments are within OEM tolerances at every eighth annual inspection (not applicable to NEMA c, d, and p-face motors, or similar configurations). Coupling alignment verification data shall be included in the crane's history file.					
8a	Gearing (Hoist, Rotate, Travel) External Gears	Inspect for damaged or worn gears, for evidence of misalignment or loose keys, and for proper lubrication. During operation, listen for abnormal noise, and inspect for other evidence of possible damage. Inspect for evidence of bearing damage, overheating, and abnormal wear. Inspect pillow blocks for damage, paying special attention to possible cracks in cast iron pillow blocks loaded in shear and tension, loose or missing fasteners, and cracks caused by overtensioned fasteners.					

**ANNUAL MAINTENANCE INSPECTION SPECIFICATION AND RECORD  
FOR CATEGORY 2 AND 3 CRANES SHEET 2 OF**

Crane		Type	OEM	Capacity				
Item No	Items to be Inspected	Maintenance Inspection Specification	System Inspected	Condition				
				S	U	C	NA	
8b	Gearing (Hoist, Rotate, Travel) Internal Gears, including clutches. (Not applicable to manual chain hoists).	Inspect gear case for proper lubricant level. Inspect for leaks and for evidence of loose or missing fasteners. Inspect breathers for restrictions. During operation, inspect for vibration, overheating, and other evidence of misaligned, worn, or damaged internal components or bearings. Listen for abnormal noise.						
	Hoist Gears (Not applicable to category 2 and 3 package hoist assemblies or manual chain hoists.)	Additionally, internal gearing for hoists shall be monitored by an oil or vibration analysis program. The oil or vibration analysis shall be performed at least once each certification period with results analyzed by a qualified source and documented and retained in the equipment history file for the life of the component.						
		As an alternative to oil or vibration analysis, internal gears shall be visually inspected for wear or damage and for evidence of misalignment. If all gears cannot be visually inspected through inspection ports or by video probe or similar inspection devices, gear cases shall be disassembled for visual inspection. If this alternative is selected, perform no later than every 12th annual inspection.						
8c	Gearing, Manual Chain Hoists	Inspect for evidence of worn, corroded, cracked, or distorted parts such as shafts, gears, bearings, pins, rollers, load sprockets, idler sprockets, or hand chain wheels.  Manual chain hoists shall be disassembled at every sixth annual inspection for detailed inspection of above noted items. For cranes in the quadrennial load test program, this disassembly may be performed at every eighth annual inspection.						
9a	Mechanical Load Brakes - Powered Hoists	Inspect for proper lubricant level and for leaks. During operation, inspect for chattering, vibration, overheating, or other evidence of misaligned, worn, or damaged internal components. Listen for abnormal noise. For mechanical load brakes that cannot be tested independently (see appendix E), disassemble no later than every 12th annual inspection and inspect for damage and deterioration.						
9b	Mechanical Load Brakes - Manual Hoists	Inspect for evidence of worn, glazed, or oil contaminated friction discs; worn pawls, cams or ratchet; corroded, stretched, or broken pawl springs in brake mechanism.  Manual hoist load brakes shall be disassembled at every sixth annual inspection for detailed inspection of above noted items. For cranes in the quadrennial load test program, this disassembly may be performed at every eighth annual inspection.						
10	Mechanical Brakes	Inspect system for damage, for evidence of binding, loose, and worn components, and for proper lubrication. Disassemble as required to inspect brake linings for wear, de-bonding, and glazing, and drums for smoothness and for evidence of overheating. Inspect brakes for proper settings and for alignment of brake shoes. During operation, verify proper release, engagement, and stopping action in both directions of motion. Inspect for evidence of overheating.  Note: For hoists without mechanical load brakes or self-locking worm gears, and where the brake stops the movement of the load, disassembly shall be done annually (quadrennially for cranes in the quadrennial program). For hoists with mechanical load brakes or self-locking worm gears, and for holding brakes and travel and rotate brakes, disassemble at every eighth annual inspection.						

**ANNUAL MAINTENANCE INSPECTION SPECIFICATION AND RECORD  
FOR CATEGORY 2 AND 3 CRANES SHEET 3 OF \_\_\_\_\_**

Crane		Type	OEM	Capacity				
Item No	Items to be Inspected	Maintenance Inspection Specification	System Inspected	Condition				
				S	U	C	NA	
11	Hydraulic Brake System	<p>Inspect system for damage, for evidence of binding, loose, and worn components, and for proper lubrication. Disassemble as required to inspect brake linings for wear, de-bonding, and glazing, and drums for smoothness and for evidence of overheating. Inspect brakes for proper settings and for alignment of brake shoes. Inspect master cylinders for proper hydraulic brake fluid level. Inspect lines for damage, leakage, and evidence of loose connections. During operation, verify proper release, engagement, and stopping action in both directions of motion. Inspect for evidence of overheating.</p> <p>Note: For hoists without mechanical load brakes or self-locking worm gears, and where the brake stops the movement of the load, disassembly shall be done annually (quadrennially for cranes in the quadrennial program). For hoists with mechanical load brakes or self-locking worm gears, and for holding brakes and travel and rotate brakes, disassemble at every eighth annual inspection.</p>						
12	Air Brake System	<p>Inspect system for damage, for evidence of binding, loose, and worn components, and for proper lubrication. Disassemble as required to inspect brake linings and discs for wear, de-bonding, and glazing, and drums or rotors for smoothness and for evidence of overheating. Inspect brakes for proper settings and for alignment of shoes and calipers. Inspect air lines for damage and evidence of loose connections. During operation, verify proper release and engagement, and stopping action in both directions of motion. Inspect air lines and air application valves for proper operation and air leaks.</p> <p>Note: For hoists without mechanical load brakes or self-locking worm gears, and where the brake stops the movement of the load, disassembly shall be done annually (quadrennially for cranes in the quadrennial program). For hoists with mechanical load brakes or self-locking worm gears, and for holding brakes and travel and rotate brakes, disassemble at every eighth annual inspection.</p>						
13a	Electric Magnetic Brake System (Shoe and Band Type Brakes including Thruster Brakes)	<p>Inspect system for damage, for evidence of binding, loose, and worn components, and for proper lubrication. Disassemble as required to inspect linings for wear, de-bonding, and glazing, and brake drums for smoothness and for evidence of overheating. Inspect brakes for proper settings and alignment of brake shoes. Inspect wiring for damage or deterioration, and for evidence of loose connections. During operation, verify proper release, engagement, and stopping action in both directions of motion and timing of release and engagement. Inspect for evidence of overheating or other evidence of incomplete brake release. For thruster brakes, check hydraulic thruster actuator reservoir for fluid level and leakage.</p> <p>Note: For hoists without mechanical load brakes or self-locking worm gears, and where the brake stops the movement of the load, disassembly shall be done annually (quadrennially for cranes in the quadrennial program). For hoists with mechanical load brakes or self-locking worm gears, and for holding brakes and travel and rotate brakes, disassemble at every eighth annual inspection.</p>						

**ANNUAL MAINTENANCE INSPECTION SPECIFICATION AND RECORD  
FOR CATEGORY 2 AND 3 CRANES SHEET 4 OF \_\_\_\_\_**

Crane		Type	OEM	Capacity				
Item No	Items to be Inspected	Maintenance Inspection Specification	System Inspected	Condition				
				S	U	C	NA	
13b	Electric Magnetic Brake System (Disc Type Brakes)	<p>Inspect brake housings for damage or evidence of loose hardware. Inspect brakes for proper settings. Inspect wiring for damage or deterioration, and for evidence of loose connections. Disassemble, as required, to inspect for damaged brake discs, splines, or other components, for glazing, de-bonding, alignment of components, and for proper brake lining thickness. During operation, verify proper release, engagement, alignment of components, and stopping action in both directions of motion and timing of release and engagement. Listen for abnormal noise, and inspect for vibration and overheating.</p> <p>Note: For hoists without mechanical load brakes or self-locking worm gears and where the brake stops the movement of the load, disassembly shall be done annually (quadrennially for cranes in the quadrennial program). For hoists with mechanical load brakes or self-locking worm gears, and for holding brakes and travel and rotate brakes, disassemble at every eighth annual inspection.</p>						
13c	Electric Magnetic Brake System (Caliper Brakes on Wire Rope Drums)	<p>Inspect system for damage, for evidence of binding, loose and worn components, and for proper lubrication. Disassemble as required to inspect brake linings for wear, glazing, and de-bonding. Inspect brake surfaces on drums for smoothness and for evidence of overheating. Inspect brakes for proper settings and alignment of calipers. Inspect wiring for damage or deterioration, and for evidence of loose connections. During operation, inspect for proper release and engagement and stopping action in both directions of motion and timing of release and engagement. For brakes with Belleville torque springs, record the number of cycles as shown on the brake cycle counter. Compare the total number of cycles applied to each brake actuator's Belleville springs to the allowable maximum number of cycles specified for that actuator and ensure that none of the springs have exceeded the maximum value. Record Belleville spring cycle limit and number of cycles in the equipment history file. (For brakes without cycle counters, the activity shall conservatively estimate the brake usage and ensure that the springs are replaced before their fatigue life is reached.)</p> <p>Note: For hoists without mechanical load brakes or self-locking worm gears and where the brake stops the movement of the load, disassembly shall be done annually (quadrennially for cranes in the quadrennial program). For hoists with mechanical load brakes or self-locking worm gears, and for holding brakes and travel and rotate brakes, disassemble at every eighth annual inspection.</p>						
14	Sheaves, Equalizer Bar	<p>Inspect for abnormally worn or corrugated grooves, flat spots, abnormal play, and broken or cracked flanges. Inspect for evidence of loose or missing fasteners, keepers, and lubrication fittings. Gage the wire rope grooves of all sheaves. Expose and examine sections of equalizer sheaves and saddles in contact with wire rope and where corrosion may develop because of poor drainage. During operation, verify free movement of all sheaves, and inspect for abnormal play, overheating, and other evidence of bearing or component wear or damage. Inspect equalizer bar for damage or deteriorated components. Ensure free movement and that bar does not bottom out over range of hoist operation.</p>						

**ANNUAL MAINTENANCE INSPECTION SPECIFICATION AND RECORD  
FOR CATEGORY 2 AND 3 CRANES SHEET 5 OF \_\_\_\_\_**

Crane		Type	OEM	Capacity				
Item No	Items to be Inspected	Maintenance Inspection Specification	System Inspected	Condition				
				S	U	C	NA	
15	Wire Rope Drum, Followers, and Machinery Foundations	Inspect drums for distortion, cracks, worn grooves, and for evidence of cracked welds and loose or missing fasteners. Inspect wire rope followers for proper adjustment and alignment. Inspect bearings for evidence of damage, overheating, or abnormal wear. Inspect machinery foundations for damage or deterioration, and for evidence of loose or missing fasteners and cracked welds. During operation, verify that at least two complete wraps of wire rope remain on grooved drums (at least three complete wraps on ungrooved drums) in all operating conditions. Listen for abnormal noise. Inspect for vibration, overheating, and other evidence of misaligned, worn or damaged components or bearings. Inspect pillow blocks for damage, paying special attention to possible cracks in cast iron pillow blocks loaded in shear and tension, loose or missing fasteners, and cracks caused by over-tensioned fasteners.						
16	Wire Rope, Fastenings, and Terminal Hardware. See next page for wire rope rejection criteria	Thoroughly inspect entire length of wire rope. The depth and detail of the inspection shall be that necessary to ensure that the entire rope is acceptable with special attention paid to areas of expected wear or damage, areas not normally visible to the operator during operation or pre-use check, and to rotation-resistant rope. During the inspection, pay the wire rope out as far as possible. For sections that cannot be spooled off the drum, visual inspection of the wire rope on the drum is sufficient. Remove wire rope dressing from selected areas subjected to significant wear, exposure, and abuse. Diameter measurements shall be performed at several places over the length of the rope. Record minimum dimension measured in the "Remarks" block. Expose and examine sections in contact with equalizer sheaves and saddles or where corrosion may develop because of poor drainage. Lubricate areas after inspection. Inspect sockets, swivels, trunnions, and connections for undue looseness, wear, cracks, corrosion, or other damage, a special area to inspect is the base (lug or bail) to shank transition area for swaged sockets. Undue looseness in poured sockets is defined as looseness or evidence of slippage of wires in the securing material, evidence of deterioration of the securing material, looseness of wire rope strands or wires adjacent to the socket or any looseness resulting from cracks or other defects in the basket. Evidence of looseness between the securing material and the basket resulting solely from seating of the material in basket is acceptable. Drum end fittings need only be disconnected or disassembled when experience or visible indications deem it necessary.						
17	Load Chains, Chain Guides, and Sprockets	Inspect for damage or deterioration, and for evidence of loose or missing fasteners and cracked welds. Measure for increase in chain length. Record measurements or gage part/drawing number in the "Remarks" block. Ensure chain is not twisted and is properly oriented with link welds facing away from load sprockets unless otherwise specified by the OEM. During operation, listen for abnormal noise. Inspect for overheating and other evidence of worn or damaged components and bearings. Inspect chain guides, guide rollers, and side plates for evidence of damage. Verify that chain bag or container is not overfilled with excess load chain, that chain correctly enters and exits container, and that container is in the correct location.						

Wire Rope Rejection Criteria. Remove damaged portions (or replace entire length, if necessary) if any of the following are found:

1. Kinked, Birdcaged, Doglegged, or Crushed Sections. Kinked, birdcaged, doglegged, or crushed rope in straight runs where the core is missing or protrudes through or between strands, or where the rope does not fit properly in sheave or drum grooves. (This does not apply to runs around eyes, thimbles, shackles).

2. Flattened Sections. Flattened sections where the diameter across the flat is less than 5/6 of nominal diameter. (This does not apply to runs around eyes, thimbles, and shackles.)

3. Broken Wires. Six randomly distributed broken wires in one lay or three broken wires in one strand in one lay. For rotation-resistant wire rope, two in a length equal to six times the rope diameter or four in a length equal to 30 times the rope diameter. One outer wire broken at the point of contact with the core of the rope that has worked its way out of the rope structure and protrudes or loops out from the rope structure ("valley break"). For end connections, two broken wires within one lay length of the end connection.

4. Loss in Diameter. Reduction from nominal diameter of more than five percent.

5. High or Low Strand. High or low strand where the height or depth exceeds one-half the strand diameter.

6. Corrosion. Corrosion such that significant pitting occurs on the surfaces of outside wires and obvious signs of internal corrosion such as magnetic debris coming from the valleys. Minor surface roughness on outside wires is acceptable provided no significant pitting occurs and the rope is not corroded internally. Significant pitting is defined as pitting that cannot be removed by abrasive removal of less than 1/3 of the original diameter of individual outside wires.

7. Heat Damage. Evidence of heat damage from any cause.

8. Wavy Rope. Wavy rope (where the longitudinal axis of the wire rope takes the shape of a helix instead of a line) when the diameter of the envelope of the wave is greater than 110 percent of the diameter of the nominal diameter of the wire rope (133 percent in straight runs where the rope does not pass over sheaves or the drum). Use ISO 4309 as a guide.

9. Accumulation of Defects. An accumulation of defects that in the judgment of the inspector creates an unsafe condition.

10. Splices. Wire rope shall not contain splices.

NOTE: For those sections of wire rope with high strands, wavy or flattened rope, consideration should be given to increasing the inspection periodicity due to the possibility of increased wear and reeving/spooling issues.

**ANNUAL MAINTENANCE INSPECTION SPECIFICATION AND RECORD**  
**FOR CATEGORY 2 AND 3 CRANES SHEET 6 OF \_\_\_\_\_**

Crane		Type	OEM	Capacity				
Item No	Items to be Inspected	Maintenance Inspection Specification	System Inspected	Condition				
				S	U	C	NA	
18	Hoist Blocks and Hooks (Including Hoist Mounting Hooks)	Inspect hoist blocks, cheek plates, swivels, trunnions, and lubrication fittings for damage or deterioration, cleanliness, freedom of movement, and for evidence of loose or missing fasteners. Inspect for loose, damaged, missing, or improperly sized retaining rings. Inspect hooks and mousing devices for damage. Inspect drip pans and gaskets for damage, proper clearance, and for evidence of loose or missing fasteners. Inspect for evidence of bearing damage, overheating, and abnormal wear. See appendix E for further inspection and test of hooks.						
19	Insulated Link	Inspect link surface for conductive contaminants such as graphite, grease, metallic particles, or rust streaks. Inspect for damage. See appendix E for further inspection and test of insulated links.						
20	Air Operating System	Inspect motors, valves, filters, water separators, cylinders, lines, regulators, and gauges for missing parts, damage, and evidence of loose or missing fasteners. Inspect for proper lubrication. Verify proper operation and inspect system for leaks. If no filters, lubricators, or water separators are installed, request engineering evaluation of system.						
21	Runway and Trolley Electrification (Collector Bar, Festoon, and Cable Track Systems)	Inspect system and associated wiring for damage or deterioration, and for evidence of loose fasteners or connections (e.g., track joint assemblies, track hanger clamps, end clamps/stops, saddle assemblies, cable connectors, tow trolley). Inspect collector shoes, springs, and conductor bar surfaces for evidence of excessive wear and/or misalignment. Verify proper operation and that all moving parts operate freely without binding.						
21a	Crane Grounding	At eighth annual inspection, for all cranes where the bridge or trolley frames are grounded through the bridge and trolley wheels and their respective rails, perform a resistance check to determine the reliability of the crane's ground in at least four areas of the trolley and/or runway. Resistances greater than five ohms require corrective action and/or activity engineering evaluation. Wheels and/or rails may require cleaning to reduce the resistance to less than five ohms. The resistance check shall be performed both between the load block and ground and between the pendant and ground. If there is no metallic pendant, but an external metallic strain relief cable, the check shall be between the strain relief cable and ground. If there is no metallic pendant or external strain relief cable, or no metallic pendant and the strain relief cable is non-conductive, the pendant to ground check may be omitted.						
22	Cable Reels	Inspect reel assembly and associated wiring for damage or deterioration, and for evidence of loose fasteners or connections. Inspect slip rings for damage, deterioration, indications of excessive wear, streaking or arcing/overheating, and proper contact. Verify proper operation.						
23 <sup>o</sup>	Electrical Hardware and General Lighting	Inspect conduits, raceways, junction boxes, light fixtures, and associated wiring for damage or deterioration, and for evidence of loose connections. Verify operation of lights. The activity engineering organization may reduce the frequency of opening enclosures based on their exposure to weather and past findings. The reduced frequency shall be no less frequent than every eighth annual inspection.						

**ANNUAL MAINTENANCE INSPECTION SPECIFICATION AND RECORD  
FOR CATEGORY 2 AND 3 CRANES SHEET 7 OF \_\_\_\_\_**

Crane		Type	OEM	Capacity				
Item No	Items to be Inspected	Maintenance Inspection Specification		System Inspected	Condition			
					S	U	C	NA
24	Control Panels, Relays, Coils, Transfer and Disconnect Switches (including main disconnect switch), Conductors and Electronic (Solid State) Drive Control Systems	<p>Inspect (without removing) contacts for proper alignment, pitting, and evidence of excess heating and arcing. Inspect transfer and disconnect switches, conductors, coils and contact leads, and shunts for insulation breakdown, missing hardware, and evidence of overheating. Inspect wiring for damage, deterioration, and evidence of loose connections. Inspect fuses for proper ratings and type (see note 1 regarding disassembly), and for evidence of loose connections and overheating. Inspect overload devices for evidence of loose connections and overheating. Inspect circuit breakers and switches for cleanliness, loose broken worn or missing parts, and proper operation. Inspect panel boards and arc shields for cracks, evidence of loose or missing fasteners, cleanliness, and moisture. Manually operate relays, switches, contactors, and interlocks and verify that all moving parts operate freely without binding or excessive play. Inspect enclosures for cleanliness or damage, and for evidence of loose or missing fasteners, support components, and gaskets. During operation, verify proper operation of panel indicating lights and contactor sequence. Verify proper operation of environmental controls (e.g., strip heaters, cooling fans). Inspect the electronic (solid state) drive control systems wiring for damage or deterioration, and for evidence of loose connections. Visually inspect (without removing) components for evidence of damage or overheating. Verify that the drive is dry and free of dust, dirt, and debris. If applicable/possible, inspect condition of or replace drive backup batteries. Ensure disconnect switches are not blocked and are accessible to personnel in accordance with National Electric Code NFPA 70.</p>						
		<p>At every eighth annual inspection, verify that the switch mechanism and/or handle on disconnects and safety switches cannot be moved to the energized or on position when locked in the de-energized or off position and that the handle properly indicates whether the switch is energized or de-energized.</p>						
25	Controllers	<p>Inspect cab and floor operated controllers for broken or loose springs, cracked or loose operating levers or push buttons, and pitted or burned contact points and segments. Inspect for broken segment dividers and insulators, proper contact pressure, excessive arcing, and worn or loose cams, pins, rollers, or chains, and for evidence of loose or missing fasteners. Inspect wiring, seals, boots, and guards for damage or deterioration, and for evidence of loose connections. Inspect pendant cable for proper securing hardware. Inspect for identifying label plates and direction indicators, and that crane and controller horizontal direction indicators match. Crane directional indicators may be located on the facility in lieu of the crane as long as the markings are visible to the operator from all operating locations. Inspect such parts as bearings, star wheels, and pawls for proper lubrication. During operation, verify proper sequencing of speed points and operation of indicating lights, and deadman switches. Verify proper spring return and neutral latching. For cranes that utilize secondary or backup controllers, all controllers shall be operationally tested during either this inspection or the CCIR/test. If performed at the CCIR/test, note this in Remarks.</p>						
26	Resistors	<p>Inspect resistors, insulators, and brackets for damage, distortion, or deterioration, and for evidence of loose or missing fasteners. Inspect wiring for damage or deterioration, and for evidence of loose connections. Inspect for evidence of overheating.</p>						



**ANNUAL MAINTENANCE INSPECTION SPECIFICATION AND RECORD  
FOR CATEGORY 2 AND 3 CRANES SHEET 8 OF \_\_\_\_\_**

Crane		Type	OEM	Capacity				
Item No	Items to be Inspected	Maintenance Inspection Specification	System Inspected	Condition				
				S	U	C	NA	
27	Electric Motors (Hoist, Rotate, Travel)	Inspect motors (including accessible internal areas such as commutators and brushes) and associated wiring for cleanliness, damage, or deterioration, and for evidence of loose connections. Inspect for proper lubrication. Inspect slip rings for damage and proper contact and commutators for evidence of destructive commutation. Inspect brushes for proper brush tension and length. Inspect insulation for deterioration and evidence of overheating. During operation, inspect for any abnormal vibration, overheating, or other evidence of misaligned, worn, or damaged internal components or bearings. Verify proper operation of environmental controls (e.g., strip heaters, cooling fans).						
28	Eddy Current Brakes	Inspect for cleanliness, damage, or deterioration, and for evidence of loose connections. Inspect for proper lubrication. Inspect wiring for damage or deterioration, and for evidence of loose connections. During operation, listen for any abnormal noise. Inspect for vibration, overheating, or other evidence of misaligned, worn, or damaged internal components or bearings.						
29	Limit and Bypass Switches	Remove covers and inspect electrical and mechanical components for damage or deterioration, and for evidence of loose connections. Inspect enclosures for evidence of moisture and arcing. Inspect wiring for damage or deterioration, and for evidence of loose connections. Inspect drive and actuating components for damage, deterioration, and proper lubrication, and for evidence of loose connections. During operation, verify proper functioning of primary and secondary limit switches, indicator lights, settings, and bypass switches. Ensure proper functioning and setting of secondary hoist limit switches by using block to engage limit switch and ensure block does not two-block. This shall be performed and documented at least once during the life of the crane (or limit switch) and re-performed if the setting is affected or changed. Before performing, ensure switch is functioning properly electrically and station watch-stander to prevent damage. Check electrical function annually at this inspection, CCIR, or appendix E no-load test by using hand or other means to activate the switch. If proper operation of secondary upper limit switch and/or lower limit switch is performed at the CCIR or appendix E no-load test, note this in Remarks.						
30 <sup>o</sup>	Operator's Cab	Inspect for leaks, broken glass, deterioration, and cleanliness. Inspect louvers, doors, windows, windshield wipers, heaters, air conditioners, operator's chair, and communication equipment for proper operation.						
31	Warning Devices, Operational Aids, General Safety Devices (Horns, Bells, Lights, etc.), Wind speed Indicator.	Inspect components and associated wiring for damage or deterioration, and for evidence of loose connections. The activity engineering organization may reduce the frequency of opening enclosures based on their exposure to weather and past findings. The reduced frequency shall be no less frequent than every eighth annual inspection. During operation, verify proper functioning of devices. Verify proper functioning of wind speed indicator.						

**ANNUAL MAINTENANCE INSPECTION SPECIFICATION AND RECORD  
FOR CATEGORY 2 AND 3 CRANES SHEET 9 OF \_\_\_\_\_**

Crane		Type	OEM	Capacity				
Item No	Items to be Inspected	Maintenance Inspection Specification	System Inspected	Condition				
				S	U	C	NA	
32	Load Warning Devices, Load Shutdown Devices	Inspect wiring for damage or deterioration, and for evidence of loose connections. During a load test year only, these devices shall be tested for proper operation at this inspection or the CCIR/load test (mark N/A and note this in Remarks if performed at the CCIR/load test). If not specified by the device OEM, the preferred accuracy requirement for all devices is to warn or shutdown at the set weight minus 10 percent of the actual weight at the set point. If preferred accuracy requirement cannot be met, the minimum accuracy requirement is to warn or shutdown at the set point plus 5 percent minus 10 percent of the actual weight at the set point. Do not test beyond 125 percent of rated capacity. This inspection item does not apply to overload clutches; for overload clutches, see item 36. Testing shall ensure the overload warning or shutdown works properly to warn or prevent an overload and does not engage at a nuisance low level. Testing values will depend on test weight availability and is not required to prove exact tolerances specified above.						
32a	Load Indicators	Inspect wiring for damage or deterioration, and for evidence of loose connections. During a load test year only, these devices shall be tested for proper operation at this inspection or the CCIR/load test (mark N/A and note this in Remarks if performed at the CCIR/load test). If not specified by the device OEM, the preferred accuracy requirement for all devices is plus 10 percent minus 0 percent of actual weight. If preferred accuracy requirement cannot be met, the minimum accuracy requirement is plus 10 percent minus 5 percent of the actual weight. Do not test beyond 125 percent of rated capacity.						
33	Capacity Signs and Load Ratings	Inspect capacity signs and brackets for damage or deterioration, and for evidence of loose or missing fasteners. Verify that load ratings are correct, are noted in pounds, and are posted in view of operator and riggers. In those instances where two or more hoists may be arranged on a single beam, such as an interlocking monorail system, verify that the capacity of the supporting beam is clearly marked to preclude an overload condition.						
34 <sup>o</sup>	Fire Extinguishers	Ensure inspection is current.						
35	Crane Davits	Inspect davit structure for proper operation and any signs of damage. Check davit rope for cuts, abnormal wear, heat damage, or discoloration. Check tackle for free movement and operation. Check hook and tackle attachments for signs of damage and corrosion.						
36	Overload Clutches/Load Limiting Clutches for Air Hoists.	For air hoists that are not equipped with limit switches, follow OEM procedure if available; however, do not follow if OEM procedure requires overloading more than 125 percent of capacity. If no OEM procedure is available, operationally inspect overload clutch by running the stop or block into the upper hoist frame at slowest possible speed. While continuing to hoist, listen for a clutching noise. If no clutching noise is heard, contact the hoist OEM for further evaluation. If a test weight is used, do not test beyond 125 percent of rated capacity. Note that padding or dunnage may need to be temporarily installed between the top of the block and upper hoist frame to prevent minor damage.  This item is for air hoists only (not manual or electric hoists). Due to the wide variation in overload clutch settings for various models and vintages of electric hoists, and the large amount of torque that can be produced by a motor in a locked rotor condition, testing of overload clutches for electric hoists shall not be performed.						









## APPENDIX E - CRANE TEST PROCEDURES

### 1 General Instructions.

1.1 Category 1 through 4 weight handling equipment shall be tested according to the appropriate paragraphs of these procedures depending on the type of equipment. Unless otherwise noted, the sequence of testing shall be at the option of the test director except that the no-load test shall be performed first. Except as noted, the nominal test load shall be 125 percent of rated capacity (100 percent for mobile cranes, aircraft crash cranes, mobile boat hoists, rubber-tired gantry cranes, and category 4 cranes; 110 percent when third-party certified (TPC)). Because of the various makes and models of cranes in the Navy inventory, it is not possible to include specific tests for each individual crane or component, and some tests may not be applicable (e.g., some mobile or articulating boom cranes may not be equipped with outriggers/stabilizers). All applicable tests shall be performed, and activities shall ensure that all additional components and features that affect load bearing, load control, or operational safety are properly tested and documented (where testing is practical, as determined by the activity engineering organization and approved by the certifying official) even though not specifically noted in these tests. These could include such items as slack-line indicators on mobile cranes or third brakes, deadman switches or travel slow-down switches on overhead cranes. If rigging gear is an integral part of and not removed from the crane, the gear may be tested as part of the crane in lieu of being removed and tested in accordance with section 14. Load testing with loads above the limits specified herein is not authorized.

1.2 All test results shall be entered on the Certification of Load Test and Condition Inspection (figure 4-1) for applicable items according to crane type. Appropriate entries shall be recorded in each space. If a space does not pertain to the particular crane being tested, the entry shall be recorded as Not Applicable (NA).

1.3 The inspector shall assist the test director by checking during the load test for improper operation or poor condition of safety devices, electrical components, mechanical equipment, and structural assemblies. Observed defects critical to continued testing shall be reported immediately to the test director who shall suspend testing until the deficiency is corrected. Where a test paragraph directs the test director to observe for lowering of the load, measurements, markings, or some other direct indication to ensure that the test load has not lowered are required. Primary hoist limit switches may first be tested by activating by hand or remotely to ensure they are operating, but the final and official documented check shall be by actuation by the hook block or boom (or designed method as applicable) to ensure they not only activate as designed but are set correctly. For secondary limit switch testing, see appendix C (item 64) or D (item 29). New and altered upper limit switches may require an alternate test to verify the initial setting and operation of the limit switch at increasing hoisting speeds is adequate. Contact the Navy Crane Center (Code 03).

### 1.4 Inspection and Testing of Hook Assemblies.

Note: These criteria apply to both the load hook and the hoist mounting hook, if the activity treats hook-mounted hoists as category 2 or 3 cranes. The hook nondestructive test (NDT) requirements of paragraphs 1.4.4 to 1.4.6 are not required for manual hoists.

1.4.1 Annual Visual Inspection of Hook and Nut. Inspect for evidence of wear in swivels and pins, and for proper operation and condition of safety latches. Inspect for corrosion, deformation, and wear. Inspect for such other conditions as nicks, cracks, or gouges. All cracks shall be removed. Other conditions shall be removed or, for questionable conditions, referred to the activity engineering organization for resolution. Removal of defects shall be by grinding only. Correction of defects by use of heat or welding is not permitted. The hook shall be removed from service if there is any visibly apparent bend or twist from the plane of the unbent hook. No attempt shall be made to straighten bent or twisted hooks. Grinding shall follow the contour of the piece, blending with a maximum 1:3 (i.e., maximum rise to run) taper. Removal of cracks shall be verified by nondestructive test as described in paragraph 1.4.4. Removal of defects as specified with the hook installed in the crane will not require load test and recertification. If disassembly and removal are required to repair the hook or nut, a load test is required. Where normal wear or removal of defects results in a reduction of 10 percent or more of the OEM's nominal dimension (or as recommended by the OEM if more restrictive), the hook shall be discarded. Hooks shall not be painted or plated, but a clear corrosion preventative coating may be applied.

1.4.2 Hook Throat Spread. An initial throat dimension base measurement shall be established by installing two tram points and measuring the distance between them. This base dimension shall be retained in the equipment history file for the life of the hook. The distance between tram points shall be measured before and after the load test (only before in a non-load test year) and compared to the base measurement. Hooks showing an increase in the throat opening by more than five percent, not to exceed  $\frac{1}{4}$  inch (or as recommended by the hook OEM), from the base measurement shall be discarded.

1.4.3 Hook Disassembly and Visual Inspection. In conjunction with the hook NDT (and as noted in paragraph 1.4.3.1), the hook, retaining nut or eye pin (and swivel eye bar as applicable), and bearings shall be disassembled from the block and thoroughly inspected. The hook and retaining nut shall be visually inspected for thread wear and all components shall be inspected for corrosion damage. Block bearing plates shall be visually inspected for cracks, wear, or other damage. Bearings shall be inspected for evidence of unusual wear and free rotation. All components shall be lubricated as required during assembly.

1.4.3.1 Special Disassembly Requirements for Forged Carbon Steel Hooks and Hooks on Manual Hoists. For forged carbon steel hooks and for hooks on manual hoists, the following additional disassembly and inspection requirements apply:

- a. The activity engineering or inspection organization shall determine whether operating conditions warrant disassembly and inspection of forged carbon steel hooks, nuts, and bearings at a more frequent periodicity than the hook NDT periodicity.



b. For forged carbon steel hooks subject to corrosive environments or outdoor exposures, disassemble for visual inspection the hook, nut, and bearing, as a minimum, every ninth "B" PM for category 1 and 4 cranes, and every second quadrennial load test for category 2 and 3 cranes between NDTs. Disassemble hooks on manual hoists subject to corrosive environments or outdoor exposures, as a minimum, at every second quadrennial load test. The activity engineering organization may authorize the performance of this special disassembly and inspection on a less frequent periodicity based on past experience and inspection findings.

1.4.4 Hook NDT. The entire hook and eye pin or swivel eye bar as applicable, shall be NDT'd for defects according to the following periodicity based on the type of hook noted below. NDT of hook nuts is not required. The type of hook shall be documented in the equipment history file. The NDT is valid for the number of annual certifications noted below:

Forged Carbon Steel: 24 certification periods, i.e., an NDT performed, followed by 23 certification periods without an NDT being performed.

Forged Alloy Steel: 8 certification periods, i.e., an NDT performed, followed by 7 certification periods without an NDT being performed.

Cast Carbon Steel or Cast Alloy Steel: 6 certification periods, i.e., an NDT performed, followed by 5 certification periods without an NDT being performed.

Bronze or Stainless Steel: 6 certification periods, i.e., an NDT performed, followed by 5 certification periods without an NDT being performed.

Notes:

1. If the material type and/or manufacturing method cannot be determined: for hook capacities greater than 30 tons, the hook shall be treated as a cast hook; for hook capacities of 30 tons or less, the hook shall be treated as a forged alloy steel hook after it is determined to not be a stainless steel or bronze hook.

2. If the OEM capacity of a forged alloy hook installed on the crane is greater than the certified capacity of the crane, or if the number of lifts performed is documented to be less than 3000 per year (e.g., a 50,000-pound OEM rated hook, installed on a 20,000-pound certified capacity crane, or a hook with a documented number of lifts at 1000 per year) then it may be possible to perform the required hook NDT on a less frequent periodicity than the above requirements. Requests for less frequent hook NDT periodicities shall be completely detailed and addressed to the Navy Crane Center on an RCDR.

1.4.4.1 Hook NDT Methods. NDT shall be the magnetic particle method in accordance with NAVSEA Technical Publication T9074-AS-GIB-010/271. ASTM A275 may be used with the following restrictions: DC yokes (including switchable AC/DC yokes used in the

DC mode) and permanent magnet yokes shall not be used; automatic powder blowers or any other form of forced air other than from a hand-held bulb shall not be used for the application or removal of dry magnetic particles; arc strikes shall be removed; and equipment ammeters shall have an accuracy of +/- 5 percent of full scale (equipment ammeter accuracy other than that stated is acceptable provided the MT procedure states that a magnetic field indicator is used to establish and verify adequate field strength for all aspects of the inspection). For hooks of non-magnetic material, NDT shall be the liquid penetrant (PT) method in accordance with ASTM E1417 or T9074-AS-GIB-010/271. For PT testing of hooks containing stainless steels, titanium, or nickel-based alloys, total halogens, and sulfur used in the NDT process shall be controlled as specified in T9074-AS-GIB-010/271. If NDT cannot be performed on surfaces inside small holes (e.g., hook/nut captivation roll pin holes), those surfaces shall be visually inspected to the maximum extent practical. Acceptance criterion shall be no linear indications greater than 1/16 inch. Acceptance criteria for external hook threads may be based on the acceptance criteria in SAE J123 or ASTM F788. NDT shall be performed prior to load tests.

The activity engineering organization may evaluate for acceptance linear indications in non-load-bearing areas of the hook such as the hook tip. Additionally, the activity engineering organization may evaluate all linear indications for relevance in accordance with the applicable NAVSEA technical publication noted above.

**1.4.5 NDT Quality Assurance Requirements.** Navy activities with established NDT quality assurance programs that meet NAVSEA, NAVAIR, Fleet (or equivalent) quality program requirements should be used as sources for NDT to the maximum extent practical. If a commercial NDT vendor is used for NDT, the following requirements apply:

- a. The vendor shall provide a letter certifying that the vendor meets the requirements of ASTM E543. The certification shall be current, i.e., within one year of the date the NDT was performed.
- b. The vendor shall develop, and submit for review, procedures, including technique sheets specific to the types, shapes, and sizes of the parts being examined (e.g., shank hook, eye hook, duplex hook, eye pin, swivel eye bar). For the magnetic particle method, the procedures shall adequately describe the orientation of the hook, swivel eye bar, or eye pin with the magnetizing equipment. A level III examiner who is independent of the vendor and is certified in the applicable NDT method shall review these procedures. Activities that do not staff NDT personnel may utilize another Navy activity or other Government organization, such as the Defense Contract Management Agency or Supervisor of Shipbuilding, for this review on a cost reimbursable basis.
- c. Vendor certifications and approved procedures shall be retained on file for the life of the NDT period.

**1.4.6 Hook Identification.** Each hook and eye pin or swivel eye bar as applicable, shall be uniquely identified with some type of permanent marking in order to provide positive traceability to the NDT report. The marking on the hook and eye pin or swivel eye bar

shall be visible with the hook installed on the crane or hoist. Where possible, the marking on the other components shall be visible with the hook installed on the crane or hoist. Markings shall be located where the strength of the hook will not be reduced.

#### 1.5 Inspection and Testing of Insulated Links.

1.5.1 General Inspection. Ensure the link surface is clean and that no conductive material exists on the outer surface of the link, such as graphite grease, metallic particles, or rust streaks. Check for obvious mechanical damage. Minor nicks, cuts, tears or abrasions are acceptable on the outer cover.

1.5.2 Link Identification. Each link shall be uniquely identified with some type of permanent marking to provide positive traceability to its base tram measurement and NDT report.

1.5.3 Dimensional Inspection. Establish tram points across the dielectric structure of the link and measure base tram reading before initial installation of the link. Measure the distance between the tram points before and after the load test. Compare the measurement to the base tram measurement. Reject the link if the measurement exceeds the base tram measurement by more than one percent.

1.5.4 Link Disassembly, and Nondestructive Test (NDT). Disassemble the link, connecting stud(s), hook, and nut in conjunction with hook disassembly. Perform a visual inspection of the metal link ends for thread damage, wear, and corrosion. Apply a temporary sealing tape over the threaded holes to prevent moisture entry into the link while the link is disassembled. Perform a magnetic particle inspection of the stud in accordance with ASTM A275 or NAVSEA Technical Publication T9074-AS-GIB-010/271. Acceptance criterion shall be no linear indications greater than 1/16 inch. The NDT quality assurance requirements noted above for hooks apply.

1.5.5 Electrical Test. After reassembly of the link on the crane, and at every annual certification, apply a minimum of 10,000 volts across the insulated link and measure leakage current. Leakage shall not exceed 70 microamps per 1,000 volts.

#### 1.6 Prerequisites to Load Testing.

1.6.1 Test Area. A safe test area shall be selected and all traffic and unauthorized personnel and equipment shall be cleared from test area. The test area shall be roped off or otherwise secured to prevent entry of unauthorized personnel and equipment.

1.6.2 Rigging. Rigging gear shall conform to the requirements of section 14.

1.6.3 Test Weights. Visually inspect test weights for signs of obvious damage. Repair damage before use.

1.6.4 Crane Tracks and Rails. Portal crane tracks (and runway rails for top running bridge cranes, gantry cranes, and wall cranes) to be used during crane load tests shall be

certified, along with associated supports and foundations, per NAVFACINST 11230.1. If the crane load test is also the load test for track/rail certification, the track/rail shall be given a detailed inspection prior to load testing and shall have no catastrophic defects as defined by NAVFACINST 11230.1.

1.6.5 Pre-Test Briefing. The load test director shall conduct a pre-test briefing to ensure all load test team personnel understand the required procedures of the test.

1.7 Precautions During Load Testing. Prescribed tests are overload or full capacity tests and extreme caution shall be observed at all times. Personnel shall remain clear of suspended loads and areas where they could be struck in the event of boom failure. Raise the test load only to a height sufficient to perform the test (including sufficient clearance over obstacles); however, for those tests where one or more brakes are bypassed to test the remaining brake, the load should be raised to a height that will allow the remaining brakes to be set and stop the load in the event of failure of the brake being tested. Where possible, personnel shall be ready to set the remaining brake(s) in the event of brake test failure. The intent of the wording "raise the test load..." is that the test load is raised using the crane function that is being tested. The boom hoist shall not be used to raise the test load from the ground/deck, although it may be adjusted for boom deflection and list/trim during initial raising.

1.7.1 Test Speeds. During tests, normal operating speeds shall be employed. Rated speeds in accordance with specifications need not be attained. Emphasis shall be placed on the ability to safely control loads through all motions at normal speeds. The intent of the various subparagraphs in the specific crane tests that follow is to ensure the speed points/ranges are working properly not to ensure the crane will accelerate a test load to design speed. All cycles with the test load should be kept to the minimum necessary to perform the tests.

1.8 Duplex (Sister) Hook with Hole for Shackle Pin. For crane hooks with a hole used for lifting, both the hook barbs and the lifting hole shall be load tested. As a minimum, a ten-minute static test shall be completed. For similar attachment methods to the crane (in lieu of hooks) with holes for attachment, a ten-minute static test shall be completed for each hole. The requirements of paragraph 1.4 2 (Hook Throat Spread) do not apply to the lifting hole; however, activities shall establish acceptable dimensions based on ASME B30.10 allowable wear in any section of 10 percent, or tram points for the lifting hole.

## 2. Portal and Floating Cranes.

### 2.1 No-Load Test.

2.1.1 Hoist Operating and Limit Switch Test. Accomplish for all hooks as follows:

Note: Position boom as required.

- a. Raise Hook. Raise the respective load hook through the controller range, stopping below the upper limit switch (where applicable).
- b. Upper Limit Switch. Raise the load hook slowly into the upper limit switch to establish that the limit switch is operating properly.
- c. Upper Limit Switch Bypass. Raise the hook slowly through the upper limit switch by using the limit switch bypass (where applicable).
- d. Secondary limit switch (where applicable). Activate the secondary limit switch (see appendix C item 64).
- e. Lower Hook. Lower the load hook below the upper limit switch through the controller range.
- f. Lower Limit Switch. Lower the load hook slowly into the lower limit switch to establish that the limit switch is operating properly.

2.1.1.1 Emergency Brakes on Wire Rope Drums (Shaft Failure Detection System). Simulate a system fault by interrupting (e.g., by use of a test switch) the motor encoder signal while lowering the hoist at the minimum speed necessary to simulate a system fault. Verify that the brake applies within the designed delay and that the hoist control is disabled in each direction. Restore the encoder signal path after the test. Repeat this test using the drum encoder. If the system uses components other than encoders (e.g., resolvers) to provide detection, or if the system requires other methods than disconnecting the encoder signal to properly test the system, the activity engineering organization shall develop the method for simulating the fault (e.g., forcing variables).

2.1.2 Boom. The boom operating and limit switch test shall be accomplished as follows:

- a. Raise Boom. Raise the boom through the controller range, stopping below upper limit switch.
- b. Upper Limit Switch. Raise boom slowly into the upper limit switch.
- c. Limit Switch Bypass. Raise the boom slowly through the limit switch by using the limit switch bypass (where applicable).
- d. Secondary limit switch (where applicable). Activate the secondary limit switch (see appendix C item 64).
- e. Lower Boom. Lower the boom through the controller range, stopping above the boom lower limit switch (where applicable).
- f. Lower Limit Switch. Lower the boom slowly into the boom lower limit switch (where applicable).

g. Limit Switch Bypass. Lower the boom through the limit switch by using the limit switch bypass (where applicable).

2.1.2.1 Emergency Brake on Wire Rope Drum (Shaft Failure Detection System). Simulate a system fault by interrupting (e.g., by use of a test switch) the motor encoder signal while lowering the hoist at the minimum speed necessary to simulate a system fault. Verify that the brake applies within the designed delay and that the hoist control is disabled in each direction. Restore the encoder signal path after the test. Repeat this test using the drum encoder. If the system uses components other than encoders (e.g., resolvers) to provide detection, or if the system requires other methods than disconnecting the encoder signal to properly test the system, the activity engineering organization shall develop the method for simulating the fault (e.g., forcing variables).

2.1.3 Luffing Drum Pawl (Dog). Check the luffing drum pawl for proper engagement in the ratchet gear and with the limit switch. Check the luffing drum pawl limit switch (if installed) for proper operation. With the luffing drum pawl disengaged, check that the boom hoist motor shuts off, the brake engages, and the indicator lights operate correctly (where applicable) by manually activating the limit switch. An alternate method is to engage the luffing drum pawl with the luffing hoist drive de-energized and then ensure that the drive cannot be energized in the downward direction.

**CAUTION:** Do not engage the luffing drum pawl into a downward rotating ratchet gear.

2.1.4 Rotation Lock (Wind Lock, Spud Lock). Engage the rotation lock and inspect to ensure full engagement. Check that the rotation lock limit switches (clockwise and counterclockwise) prevent engaging the rotation drive (where applicable). Operate the rotation lock bypass (clockwise and counterclockwise) to ensure proper operation (where applicable).

**CAUTION:** Use only enough power to check the operation of the bypass.

**Note:** Applicable switches may be operated manually to check for correct operation in lieu of engaging rotation lock.

**CAUTION:** Ensure the rotation lock is disengaged prior to continuing the test.

2.1.5 Rotation. Rotate clockwise and counterclockwise with the boom at minimum radius.

2.1.6 Travel. Conduct the travel test in accordance with paragraph 2.2.3.I, except without load.

2.1.7 Deadman Switches. Test all deadman switches (where installed). Start each motion. Release the deadman switch. Motion shall stop.

2.2 Load Test. The following is considered to be the most time and cost effective sequence of performing the required tests. Unless otherwise noted, activities may vary the sequence as required.

2.2.1 Load Test for Variable Rated Cranes. All cranes shall be tested in accordance with paragraphs 2.2.2 through 2.2.5. In addition, variable rated cranes shall be tested in accordance with paragraph 2.3 with the appropriate test load at the maximum radius of the crane.

2.2.2 Stability Test. (For balanced deck design cranes only). During static and dynamic configurations with test load (paragraphs 2.2.3 a, b, d, and i) observe for clearance between the rollers and the upper and lower roller rails. If no clearance is observed, stability is satisfactory. If clearance is observed, perform the following:

a. The center pin nut clearance with the steadiment shall be set per crane OEM's specification.

b. In the static mode, position the boom parallel and perpendicular to the track (for floating cranes, position the boom parallel and perpendicular to the longitudinal axis (athwartships centerline) of the barge) and examine the roller path for clearance.

c. If the loading conditions do not result in contact of the steadiment with the center pin nut, then the activity engineering organization shall evaluate for wear or structural defects. If the mechanical roller and structural assembly condition is determined to be unsatisfactory, then the crane shall be removed from service and corrective action initiated. Should the structural and mechanical roller assembly condition be determined satisfactory, then a record of the roller clearance data for various quadrants shall be recorded and incorporated in the equipment history file as a "crane roller clearance data standard of acceptance" and shall be utilized during future periodic testing. It is not necessary to repeat these roller clearance data readings on an annual basis unless there is a noticeable change with the clearance data or a major change did occur for this crane (e.g., alteration affecting crane stability).

d. If either loading condition noted in paragraph b results in contact of the steadiment with the center pin nut, indicating a possible lack of crane stability, the crane shall be removed from service and a request for an engineering evaluation shall be forwarded to the Navy Crane Center.

2.2.3 Main and Boom Hoists, Rotate, and Travel. For the main hoist, rotate, and travel tests, the test load shall be the maximum test load for the crane. For the boom hoist tests, the test load and radius shall be such as to produce the maximum drum line pull. This may require a different test load than for the main hoist test.

a. Hoist and Boom Static Test. Raise the test load to clear the ground and hold for 10 minutes with the boom at the maximum radius for the load lifted. Rotate the load

and hook 360 degrees clockwise and counterclockwise to check bearing operation. Do not allow a hoist pawl to carry the load. Observe lowering of the test load, which may indicate malfunction of boom or hoisting components or holding brakes. If either hoist has primary and secondary holding brakes (i.e., where each brake is designed to individually hold the load), then the following tests shall be performed, for each applicable hoist, in lieu of the single 10-minute holding test noted above:

(1) Raise the test load and observe for proper timing sequence in the application of the primary and secondary brake when the controller is returned to neutral. Visually observe both hoist holding brakes to ensure correct operation. Raise the test load and hold open one of the brakes. Hold the load for 10 minutes and observe for lowering of the load, which may indicate malfunction of hoisting components or brake. Do not allow a hoist pawl to carry the load.

(2) Reset the brake held open and open the first brake tested. Again hold the load for 10 minutes observing for malfunctions. Reset the brake and verify the proper timing sequence of the setting of the brakes.

(3) If the brakes are designed to individually hold only the rated capacity (and not 125 percent), then the tests in subparagraphs (1) and (2) may be performed with a test load of 100 (+0/-5) percent of rated capacity and the certification shall be so noted. However, the brakes, acting together, shall demonstrate the ability to hold a 125 percent test load for a 10-minute period.

b. Hoist Dynamic Test. Raise and lower the test load and visually observe smooth control through the range. Stop the load during hoisting and lowering to verify the crane stops and holds the load. Check for proper operation of dynamic braking.

**CAUTION:** Dynamic braking will not stop motion.

c. Wire Rope Test for New Rope. The maximum working length of new wire rope shall be tested before being put in service. This shall be accomplished during either the static or dynamic test. (For cranes servicing drydocks, this will require lifting the test load into or out of the deepest drydock available.)

d. Boom Hoist Operating Test. Starting from maximum radius and with the load attached, raise the boom to minimum radius. Lower the boom to maximum radius. Visually observe for smooth motion through boom controller range. Stop the hoist during hoisting and lowering to verify the crane stops and holds the load. Check for proper operation of dynamic braking.

e. Hoist Foot Brake Test (Hydraulic or Mechanical). Lower the test load, using first control point, then apply the foot brake. This shall stop the lowering motion of the test load.



CAUTION: Not applicable to load-sensitive reactor type hoist controls.

f. Boom Foot Brake Test (Hydraulic or Mechanical). With boom near maximum radius and with the test load approximately two feet from the ground surface, lower the test load using the first control point of the boom hoist. Apply the foot brake. This shall stop the lowering motion of the boom and test load.

CAUTION: Not applicable to load-sensitive reactor type hoist controls.

g. Hoist Loss of Power (Panic Test). This test is designed to test the reaction of a hoisting unit in the event of power failure during a lift. Hoist the test load approximately 10 feet above the ground (higher or lower as appropriate for the conditions). Lower the test load at slow speed and, with the controller in the slow lowering position, disconnect the main power source by pushing the main power stop button or buttons. The test load shall stop. Return the controller to the neutral position. If the test load does not stop lowering until the controller is placed in the neutral position, the activity engineering organization and the Navy Crane Center (Code 03) shall review the circuitry to ensure this is the intended OEM design.

CAUTION: This test shall not be performed on cranes that do not have powered down hoists. Additionally, the activity engineering organization shall review the system circuitry for cranes with electronic controls to ensure that this test can be performed safely without damaging the control system. For cranes where the controls may be damaged, the activity engineering organization shall document their justification and fully describe the alternate tests performed. Alternate test procedures require Navy Crane Center approval.

h. Boom Loss of Power (Panic Test). This test is designed to test the reaction of the boom hoist in the event of power failure during a lift. Hoist the load approximately 10 feet above the ground with the boom near maximum radius (higher or lower as appropriate for the conditions). Lower the boom at slow speed, disconnect the main power source by pushing the main power stop button, the boom load shall stop. Return the controller to the neutral position. If the boom does not stop until the controller is placed in the neutral position, the activity engineering organization and Navy Crane Center (Code 03) shall review the circuitry to ensure this is the intended OEM design.

CAUTION: This test shall not be performed on cranes that do not have powered down hoists. Additionally, the activity engineering organization shall review the system circuitry for cranes with electronic controls to ensure that this test can be performed safely without damaging the control system. For cranes where the controls may be damaged, the activity engineering organization shall document their justification and fully describe the alternate tests performed. Alternate test procedures require Navy Crane Center approval.

i. Rotation. With boom at maximum radius, rotate left and right 360 degrees with the boom hoist pawl engaged. However, if the test area will not permit full rotation, two complete revolutions of the swing pinion are considered adequate. Test loads for floating cranes can be rotated over the water.

**CAUTION:** Exercise care when rotating loads over water. Ensure during the initial load test the floating crane has adequate draft readings per design data. When testing a floating crane, monitor the radius to ensure the allowable radius is not exceeded due to listing of the barge.

j. Rotate Stopping Test. At maximum radius, rotate left and right at slow speed and apply the foot brake. The foot brake shall demonstrate ability to stop the rotating motion in a smooth, positive manner. For cranes without a foot applied rotate brake, rotate left and right, then return the controller to the neutral position. The rotate brakes or rotate drive, as applicable, shall stop the rotating motion of the crane in a smooth, positive manner. For floating cranes, where space permits, the parking brake shall demonstrate its ability to prevent rotation when applied with the boom at 45 degrees from the centerline of the barge. Hold for 10 minutes with the brake applied.

k. Travel Test (Boom over side). This test shall be conducted with the boom at maximum allowable radius positioned 90 degrees with the crane rails and boom pawl engaged. With the test load raised to clear the ground and with the boom pawl engaged, travel in one direction a minimum of 50 feet. Repeat with the boom on the opposite side where conditions permit.

**CAUTION:** Operate the crane at very slow travel speed. Ensure the track and supporting foundation are sound and free of any obstruction over test travel area. (Not applicable to floating cranes.)

l. Travel Test (Boom over front). With the test load raised to clear the ground and with the boom centered between the crane rails and boom pawl engaged, travel in one direction a minimum of 50 feet. The crane shall accelerate and decelerate smoothly. All motions shall be smooth and positive. (Not applicable to floating cranes.) Repeat with the boom rotated over the opposite end.

#### 2.2.3.1 Emergency Brake on Wire Rope Drum (Shaft Failure Detection System).

a. Static Test. Test the ability of the hoist caliper disc brake to hold the test load after testing the other holding brake(s). Raise the test load. Do not engage the boom hoist pawl (if applicable). Depress the emergency stop pushbutton to disconnect the main power source and set the brakes. Manually release all brakes, except the caliper disc brake. Hold the load for 10 minutes with the caliper disc brake. Observe for lowering of the load, which may indicate a malfunction of the hoisting components or the brake. Reset the other holding brake(s) to the applied condition. Energize the main power source. Verify that the load is held by the

holding brake(s). Operate the hoist in each direction and verify proper operation of all controls and brakes.

b. Dynamic Test. Perform with a test load of 100 (+0/-5) percent of rated capacity. Raise the load to a sufficient height to perform the following test. Lower the load at the minimum speed necessary to simulate a shaft failure. Disable all hoist brakes (manually release) except the wire rope drum brake and simulate a system fault by interrupting (e.g., test switch) the motor or drum encoder. The brake shall stop the load. If the system uses components other than encoders (e.g., resolvers) to provide detection, or if the system requires other methods than disconnecting the encoder signal to properly test the system, the activity engineering organization shall develop the method for simulating the fault (e.g., forcing variables). Reset all brakes and/or programming.

**CAUTION:** Station appropriately trained personnel at each disabled hoist brake in case of failure of the drum brake to stop the load. These personnel shall be in constant contact with the load test director and prepared to safely engage the hoist brakes when directed.

**CAUTION:** The activity engineering organization shall review the system circuitry for cranes with electronic controls to assure that this test can be performed safely without damaging the control system. For cranes where the controls may be damaged, the activity engineering organization shall document their justification and fully describe the alternate tests performed. Alternate test procedures require Navy Crane Center approval.

#### 2.2.4 Auxiliary Hoist. Maximum test load for the hoist.

a. Static Test. Raise the test load to clear the ground at the maximum radius for that load and hold for 10 minutes without the hoist pawl engaged. Rotate the load and hook 360 degrees clockwise and counterclockwise to check bearing operation. Observe for lowering of the load, which may occur, that may indicate malfunction of hoisting components or holding brakes. If the hoist has primary and secondary holding brakes, then the tests noted in subparagraphs 2.2.3.a (1), (2), and/or (3), shall be performed in lieu of the 10-minute holding test noted above.

b. Dynamic Test. Raise and lower the test load and visually observe smooth control through the range. Stop the load during hoisting and lowering to verify the crane stops and holds the load. Check for proper operation of dynamic braking.

c. Wire Rope Test for New Rope. The maximum working length of new wire rope shall be tested before being put in service. This shall be accomplished during either the static or dynamic test. (For cranes servicing drydocks, this will require lifting the test load into or out of the deepest drydock available.)

d. Foot Brake Test (Hydraulic or Mechanical). Lower the test load using the first control point, then apply the foot brake. This shall stop the lowering motion of the test load.

**CAUTION:** Not applicable to load-sensitive reactor type hoist controls.

e. **Loss of Power (Panic Test).** This test is designed to test the reaction of the hoisting unit in the event of power failure during a lift. Hoist the test load approximately 10 feet above the ground (higher or lower as appropriate for the conditions). Lower the test load at slow speed and with the controller in the slow lowering position, disconnect the main power source by pushing the main power stop button or buttons. The load shall stop. Return the controller to the neutral position. If the load does not stop until the controller is placed in the neutral position, the activity engineering organization and the Navy Crane Center (Code 03) shall review the circuitry to ensure this is the intended OEM design.

**CAUTION:** This test shall not be performed on cranes that do not have powered down hoists. Additionally, the activity engineering organization shall review the system circuitry for cranes with electronic controls to assure that this test can be performed safely without damaging the control system. For cranes where the controls may be damaged, the activity engineering organization shall document their justification and fully describe the alternate tests performed. Alternate test procedures require Navy Crane Center approval.

#### 2.2.4.1 Emergency Brake on Wire Rope Drum (Shaft Failure Detection System).

a. **Static Test.** Test the ability of the hoist caliper disc brake to hold the test load after testing the other holding brake(s). Raise the test load. Do not engage the boom hoist pawl (if applicable). Depress the emergency stop pushbutton to disconnect the main power source and set the brakes. Manually release all brakes except the caliper disc brake. Hold the load for 10 minutes with the caliper disc brake. Observe for lowering of the load, which may indicate a malfunction of the hoisting components or the brake. Reset the other holding brake(s) to the applied condition. Energize the main power source. Verify that the load is held by the holding brake(s). Operate the hoist in each direction and verify proper operation of all controls and brakes.

b. **Dynamic Test.** Perform with a test load of 100 (+0/-5) percent of rated capacity. Raise the load to a sufficient height to perform the following test. Lower the load at the minimum speed necessary to simulate a shaft failure. Disable all hoist brakes (manually release) except the wire rope drum brake and simulate a system fault by interrupting (e.g., test switch) the motor or drum encoder. The brake shall stop the load. If the system uses components other than encoders (e.g., resolvers) to provide detection, or if the system requires other methods than disconnecting the encoder signal to properly test the system, the activity engineering organization shall develop the method for simulating the fault (e.g., forcing variables). Reset all brakes and/or programming.

**CAUTION:** Station appropriately trained personnel at each disabled hoist brake in case of failure of the drum brake to stop the load. These personnel shall be in constant contact with the load test director and prepared to safely engage the hoist brakes when directed.

**CAUTION:** The activity engineering organization shall review the system circuitry for cranes with electronic controls to assure that this test can be performed safely without damaging the control system. For cranes where the controls may be damaged, the activity engineering organization shall document their justification and fully describe the alternate tests performed. Alternate test procedures require Navy Crane Center approval.

#### 2.2.5 Whip Hoist. Maximum test load for the hoist.

- a. Static Test. Raise the test load to clear ground and hold for 10 minutes without the hoist pawl engaged at the maximum radius for that load. Rotate the load and hook 360 degrees clockwise and counterclockwise to check operation of bearing. Observe for lowering of the load, which may indicate malfunction of hoisting components or holding brakes. If the hoist has primary and secondary holding brakes, then the tests noted in subparagraphs 2.2.3.a (1), (2), and/or (3) shall be performed in lieu of the 10-minute holding test noted above.
- b. Dynamic Test. Raise and lower the test load and visually observe smooth control through the range. Stop the load during hoisting and lowering to verify the crane stops and holds the load. Check for proper operation of dynamic braking.
- c. Wire Rope Test for New Rope. The maximum working length of new wire rope shall be tested before being put in service. This shall be accomplished during either the static or dynamic test. (For cranes servicing drydocks, this will require lifting the test load into or out of the deepest drydock available.)
- d. Foot Brake Test (Hydraulic or Mechanical). Lower the test load using first control point, then apply the foot brake. This shall stop the lowering motion of the test load.

**CAUTION:** Not applicable to load-sensitive reactor type hoist controls.

- e. Loss of Power (Panic Test). This test is designed to test the reaction of a hoisting unit in the event of power failure during a lift. Hoist the test load approximately 10 feet above the ground (higher or lower as appropriate for the conditions). Lower the test load at slow speed and, with the controller in the slow lowering position, disconnect the main power source by pushing the main power stop button, the load shall stop. Return the controller to the neutral position. If the load does not stop until the controller is placed in the neutral position, the activity engineering organization and the Navy Crane Center (Code 03) shall review the circuitry to ensure this is the intended OEM design.

**CAUTION:** This test shall not be performed on cranes that do not have powered down load hoists. Additionally, the activity engineering organization shall review the system circuitry for cranes with electronic controls to assure that this test can be performed safely without damaging the control system. For cranes where the controls may be

damaged, the activity engineering organization shall document their justification and fully describe the alternate tests performed. Alternate test procedures require Navy Crane Center approval.

#### 2.2.5.1 Emergency Brake on Wire Rope Drum (Shaft Failure Detection System).

a. Static Test. Test the ability of the hoist caliper disc brake to hold the test load after testing the other holding brake(s). Raise the test load. Do not engage the boom hoist pawl (if applicable). Depress the emergency stop pushbutton to disconnect the main power source and set the brakes. Manually release all brakes except the caliper disc brake. Hold the load for 10 minutes with the caliper disc brake. Observe for lowering of the load, which may indicate a malfunction of the hoisting components or the brake. Reset the other holding brake(s) to the applied condition. Energize the main power source. Verify that the load is held by the holding brake(s). Operate the hoist in each direction and verify proper operation of all controls and brakes.

b. Dynamic Test. Perform with a test load of 100 (+0/-5) percent of rated capacity. Raise the load to a sufficient height to perform the following test. Lower the load at the minimum speed necessary to simulate a shaft failure. Disable all hoist brakes (manually release) except the wire rope drum brake and simulate a system fault by interrupting (e.g., test switch) the motor or drum encoder. The brake shall stop the load. If the system uses components other than encoders (e.g., resolvers) to provide detection, or if the system requires other methods than disconnecting the encoder signal to properly test the system, the activity engineering organization shall develop the method for simulating the fault (e.g., forcing variables). Reset all brakes and/or programming.

CAUTION: Station appropriately trained personnel at each disabled hoist brake in case of failure of the drum brake to stop the load. These personnel shall be in constant contact with the load test director and prepared to safely engage the hoist brakes when directed.

CAUTION: The activity engineering organization shall review the system circuitry for cranes with electronic controls to assure that this test can be performed safely without damaging the control system. For cranes where the controls may be damaged, the activity engineering organization shall document their justification and fully describe the alternate tests performed. Alternate test procedures require Navy Crane Center approval.

2.3 Variable Rated Load Test. In addition to the tests prescribed in paragraph 2.2, variable rated cranes shall be tested with the appropriate test load at the maximum radius of the crane on the main hoist as follows:

2.3.1 Stability Test. (For balanced deck design cranes only). During testing in accordance with paragraphs 2.3.2, 2.3.3, and 2.3.6, observe for clearance between the rollers and the upper and lower roller rails. If no clearance is observed, stability is

satisfactory. If clearance is observed perform the tests and take the necessary actions noted in paragraphs 2.2.2.a through d.

2.3.2 Static Test. Raise the test load to clear ground and hold for 10 minutes with the boom at maximum radius. Do not allow a hoist pawl to carry the load. Observe for lowering of the load, which may indicate a malfunction of hoisting components or brakes.

2.3.3 Boom Hoist Operating Test. Starting from maximum radius and with the load attached, raise the boom to the maximum radius for the next higher load. Lower the boom. Observe for smooth hoisting and lowering motions through the controller range. Stop the hoist during hoisting and lowering to verify the crane stops and holds the load.

2.3.4 Boom Foot Brake Test (Hydraulic or Mechanical). With the boom near maximum radius, and with the test load approximately two feet from the ground surface, lower the test load, using the first control point of the boom hoist. Apply the foot brake. This shall stop the lowering motion of the boom and test load.

CAUTION: Not applicable to load-sensitive reactor type hoist controls.

2.3.5 Automatic Boom Brake (Where applicable, i.e., Washington Crane Company). This brake is to prevent a "free fall" boom in case of failure of clutch, boom hoist control, and foot brake. With the test load approximately four inches above the ground, set the brake firmly. Release the mechanical boom pawl. Release the boom clutch by operating the boom hoist control. Slowly release the foot brake to the free position. Hold the test load with the automatic brake for five minutes then lower the test load by applying the boom hoist clutch and lowering with the controller operation.

2.3.6 Rotation. With boom at maximum radius, rotate left and right 360 degrees with the boom hoist pawl engaged. However, if test area will not permit full rotation, two complete revolutions of the swing pinion are considered adequate. Test loads for floating cranes can be rotated over the water.

CAUTION: Exercise care when rotating loads over water. During the initial load test, ensure the floating crane has adequate draft readings per design data. When testing a floating crane, monitor the radius to ensure the allowable radius is not exceeded due to listing of the barge.

### 3 Tower Cranes and Derricks.

3.1 General. Tower cranes and stiff leg derricks shall be tested in accordance with instructions for portal cranes under paragraph 2 (except for rotation testing which is described below).

3.2 Tower Crane and Derrick Rotation. Rotation testing shall be conducted in accordance with the rotation test for portal cranes through normal design operating arc.

#### 4 Hammerhead Cranes.

4.1 Hammerhead Crane Hoists. Hoists shall be tested in combination(s) such that all structural, mechanical, and electrical components are tested in all possible configurations. Hoists shall be tested in accordance with applicable instructions for portal cranes.

4.2 Hammerhead Rotation. Rotation shall be tested in accordance with instructions for portal cranes.

#### 4.3 Hammerhead Trolley Motion.

4.3.1 No-Load Test. Travel the allowable length of the trolley runway through the control range. Operate the trolley into the limit switches at slow speed. Bring the trolley back and by using the limit switch bypass, move the trolley into the outboard rail stops. Repeat the procedure for inboard limit switches and rail stops.

4.3.2 Load Test. Raise the test load to clear ground and move the trolley to the maximum allowable radius. Hold the test load for 10 minutes. Do not move the trolley beyond the trolley limit switch. After the 10-minute holding test, travel the allowable length of the trolley runway.

4.4 Travel. Travel motion shall be tested in accordance with the instructions specified for portal cranes, where applicable.

5 Mobile Cranes, Aircraft Crash Cranes, and Category 4 Cranes. These cranes are complex machines and the following requirements are not designed to test each and every component to its maximum stress state. Instead, the test is configured to safely and efficiently test the greatest number of critical components to the specified load level. Commercial truck-mounted telescoping boom cranes shall be tested in accordance with paragraph 5.4. Lattice boom cranes shall be tested in accordance with paragraph 5.5. Articulating boom cranes shall be tested in accordance with paragraph 5.8. Test procedures for other category 4 cranes shall follow OEM procedures and recommendations. Where no procedures are provided by the OEM, procedures shall be developed by the activity engineering organization using the procedures of this subsection as a guide.

5.1 Test Load. The nominal test load shall be 100 percent of rated capacity (110 percent when the crane is TPC). The rated capacity shall be the capacity shown on the posted load chart or as limited by other factors, such as hook block capacity or wire rope line pull if the crane is not fully reeved. The test load includes the weight of (or deduction values for) the hook, block, slings, and ancillary lifting devices (and for some cranes hoist wire rope not accounted for in load charts), and the combined weight deduction values shall be subtracted from the nominal test load in order to determine the amount of test weights to be used. Follow OEM load chart instructions for weight deduction values. Check accuracy of load indicators where installed. If AEPs, as described in section 4, are to be



used in lieu of load test and recertification for change-out of ancillary equipment, the applicable ancillary equipment shall be tested during the annual certification testing.

5.2 Mobile Cranes Temporarily Mounted on Barges. The certifying official shall prescribe appropriate test conditions and precautions. Follow the requirements of section 4. During the load moment test, the rotate brake shall be tested to demonstrate its ability to prevent rotation when applied with the boom at 45 degrees from the centerline of the barge. Hold this position for 10 minutes with the brake set.

5.3 Pre-test Preparation. Select a test area that is level and free of ground obstructions. Extend outriggers/stabilizers as specified by the OEM, when so equipped. For cranes with variable outrigger/stabilizer or crawler positions, only the fully extended position requires testing. Testing is not required for intermediate outrigger/stabilizer or crawler settings. For most truck and rough terrain cranes, the crane carrier shall be raised sufficiently to completely unload tires; however, review and follow the OEM instructions. Level the crane as required by the OEM's operating instructions and load chart. Ensure the crane, including the hydraulic system, is brought up to operating temperature before performing tests.

#### 5.3.1 Cautions for Mobile Crane Tests.

- a. Test personnel shall remain fully alert to wind, other weather, and visibility conditions that may jeopardize the safe performance of the tests.
- b. As described in paragraph 1.7, lift the test load only high enough to perform the required tests .
- c. When lifting test loads, always lift the load well within the maximum radius and slowly boom down to the pre-measured radius stopping at least once to test the effectiveness of the boom brake or holding valve.
- d. A crane outrigger/stabilizer may become light (start to rise up within the outrigger/stabilizer pad) and the outrigger/stabilizer pad may clear the ground during load testing (with the boom positioned over the opposite corner) depending on the make and model. Generally, this is normal and not an indication of tipping. However, if two outriggers/stabilizers exhibit this condition simultaneously the activity shall verify with the crane OEM that the crane exhibiting this condition is safe for use
- e. Ensure all "on-rubber" (free-rated capacity) lifting requirements established by the OEM and activity are followed when lifting loads "on-rubber". Attach taglines to the load to control oscillation. Extend outriggers/stabilizers and maintain minimal clearance (3 to 4 inches) above ground. Test personnel shall stand clear of tires during on-rubber load tests.

#### 5.4 Telescoping Boom Cranes.

##### 5.4.1 No-Load Tests.

#### 5.4.1.1 Hoist(s).

- a. Raise each hook through the maximum possible working distance of hook travel.
- b. Raise each hoist block into the limit switch (where installed) at slow speed. Ensure the anti-two block alarm operates or the hoist is disabled in accordance with the OEM's operating instructions. If the crane is equipped with control lockouts (also known as function limiters or kickouts), carefully ensure all additional functions that could also two-block the hoist are disabled (e.g., telescope out, boom down) in accordance with the OEM's operating instructions.
- c. Raise each hoist block beyond the limit switch by using the bypass switch (where installed).
- d. Lower each hook through the maximum possible working distance. After lowering the hook, ensure the wire rope is packed tightly on the drum prior to proceeding with the load tests to prevent wire rope displacement and crushing.

#### 5.4.1.2 Boom.

- a. Raise and lower the boom through the full working range.
- b. Extend and retract telescoping boom sections the full distance of travel. For latching/pinned boom cranes, ensure all boom extend modes operate properly and ensure all boom latching/pinning positions engage properly for each section.

5.4.1.3 Other Functions. Other functions including rotate shall be operated through a minimum of one full cycle/revolution of major components; e.g., one full revolution of track crawlers, 360 degrees of upper rotation.

- a. Test the work area limit switch (area definition device), if applicable.

5.4.2 Load Test. The load test consists of a maximum certified capacity test and a load moment test. In some cases, these tests may be combined. Additionally, a maximum line pull test is required for cranes that use multiple reeving configurations, and other appropriate tests are required for cranes that use ancillary equipment with AEPs during the certification period. The sequence may be varied by the activity; however, the following test sequence is recommended. For cranes with multiple reeving configurations, the maximum line pull test (paragraph 5.4.2.4.a) should be performed first.

#### 5.4.2.1 Maximum Certified Capacity Test.

- a. The test load shall be 100 percent of the maximum certified capacity of the crane. Determine the maximum permissible radius for the maximum certified capacity. Perform the test at the maximum boom length for this capacity and radius.
- b. Raise the test load using the hoist.
- c. Lower the test load and test the ability of the brake to control, stop, and hold the test load (10-minute hold).
- d. Observe for any lowering that may occur, which may indicate a malfunction of boom or hoisting components, brakes, or outriggers/stabilizers. With the test load raised, rotate the hook 360 degrees clockwise and counterclockwise to check bearing operation. If the size of the test load precludes a full 360 degree rotation of the hook, perform the hook rotation test during the load moment test (if there is no anti-friction bearing in the hook block, the hook rotation test may be omitted).

Note: Due to the number of layers of wire rope on the drum, some cranes may not be able to lift the test load per the OEM's load chart. If the crane cannot lift the test load, check the OEM's hoist line pull for the particular model hoist and layer of rope. If hoist line pull (available torque) is the limiting factor, reduce the test load based on the hoist line pull limitation and perform the required test. Certify the crane based on the reduced test load (i.e., certified capacity is the reduced test load; for TPC cranes, certified capacity is the reduced test load divided by 1.10). If the crane cannot lift the reduced test load, verify that the system hydraulic pressure and relief valves are set within OEM specifications. If the settings are within specification, contact the OEM.

- e. Operate the boom from maximum radius to minimum radius. Repeat the test, operating the boom from minimum radius to maximum radius for the load applied.

#### 5.4.2.2 Load Moment Test.

##### a. Test Configuration:

- Boom length - shortest length where all sections are partially extended, but not less than 50 percent of the total powered boom length (or latching section boom length). Note: 50 percent of the total powered boom length is 50 percent of the total main boom length, including the base section and powered telescoping sections, but does not include non-powered telescoping sections such as manual sections or power-pinned fly sections. For cranes with manual extended sections only, extend all manual sections fully.
- Maximum radius - the radius that creates the maximum load moment that will safely clear the outriggers/stabilizers/carrier through the complete upper rotation range. Ensure that the radius selected allows for changes in carrier frame deflection that will not take the load out of radius or take the load into contact with the crane. During rotation, the radius may be adjusted due to

carrier frame deflection, but the radius may not be increased after it has been decreased.

- The test load shall be 100 percent of OEM load chart capacity at this boom length and radius.

Note: For the purposes of this test, load moment is the product of capacity multiplied by radius. Cranes equipped with multiple boom modes must have multiple load charts checked to ensure the maximum load moment is selected.

b. Telescopic Component Slippage. Raise the test load using the hoist. Operate the boom from maximum radius (as defined above) to minimum radius for the load applied. Hold the load for 5 minutes without use of controls by the operator. Observe for any lowering that may occur, which may indicate a malfunction of boom or hoisting components, brakes, or outriggers/stabilizers. Lower the boom from minimum radius to maximum radius (as defined above) before proceeding to the next test.

c. Outrigger/Stabilizer Component Slippage. Rotate the crane at slow speed through the complete upper rotation range as allowed by the OEM, and apply the brake periodically during rotation. The brake shall demonstrate its ability to stop the rotating motion in a smooth, positive manner. Hold the load with the boom positioned over (or near as allowed by OEM) each outrigger/stabilizer for 5 minutes (holding over the center front outrigger/stabilizer is not required). Observe for any lowering that may occur, which may indicate a malfunction of boom or hoisting components, brakes, or outriggers/stabilizers. Rotate the crane in the opposite direction through the complete rotation range as allowed by the OEM.

Notes for telescopic component and outrigger/stabilizer component slippage tests:

1. The significance of any lowering shall be evaluated by the activity engineering organization depending on operating requirements and safety.

2. For cranes equipped with outrigger/stabilizer locking devices but where activity operating procedures permit operation without the use of the locking devices, this test shall be performed with the locking devices disengaged.

3. If a latching boom crane's telescoping cylinder has the capability to telescope, retract, or hold the boom while unpinned under load, it shall be tested by repeating the telescopic component slippage test at 100 percent of the maximum telescoping/retracting/unpinned holding capacity with the boom unpinned. However, if the only function of the telescoping capacity is to extend or retract boom sections, ancillary equipment, or rigging hardware, and no loads are telescoped, then the telescoping cylinder does not require a telescopic component slippage test.

5.4.2.3 Auxiliary and Whip Hoist. The test load shall be 100 percent of the maximum certified capacity for the hoist to be tested. Tests shall be performed with the boom fully

extended or until two wraps of wire rope remain on a grooved hoist drum or three wraps of wire rope remain on a smooth hoist drum.

- a. Raise the test load using the hoist.
- b. Lower the test load and test the ability of the brake to control, stop, and hold the test load (10-minute hold).
- c. Observe for any lowering that may occur, which may indicate a malfunction of boom or hoisting components, brakes, or outriggers/stabilizers. With the test load raised, rotate the hook 360 degrees clockwise and counterclockwise to check bearing operation.

5.4.2.4 Maximum Line Pull Test and Ancillary Equipment Tests. For cranes that will use multiple reeving configurations or ancillary equipment (swing-away jibs, power pinned fly sections, manual extensions, jibs at variable offsets, multiple load blocks, etc.) during the certification period, using procedures per section 4, the following load tests are required:

- a. Maximum Line Pull Test.

Note: Testing of all possible reeving configurations is not required. In some cases, this test may be combined with the maximum certified capacity test or load moment test. For cranes with identical main and auxiliary hoists (winches) and an approved reeving AEP, either hoist may be used to the maximum certified crane capacity based on satisfactory maximum line pull tests on each hoist and a satisfactory completion of the maximum certified capacity and load moment test on one hoist.

- (1) The reeving configuration to be tested shall be such that the test load produces 100 percent of the maximum allowable wire rope line pull. If the crane cannot lift the test load due to the number of layers of wire rope on the drum, see the Note of paragraph 5.4.2.1.
- (2) Raise the test load using the hoist.
- (3) Lower the test load and test the ability of the brake to control, stop, and hold the test load (10-minute hold).

- b. Ancillary Equipment Tests.

- (1) The test load shall be 100 percent of the maximum certified capacity of the equipment, or 100 percent of the maximum allowable wire rope line pull if the equipment is not fully reeved. For jibs with variable offset angles, test at the greatest offset used. For telescoping extensions, test at the fully extended length. Each point of a bifold swingaway shall be tested if both points are used/certified. Record each test configuration and test load on the certification supplement form, figure 4-2.

Note: For cranes with multiple counterweight configurations, testing of all possible counterweight combinations is not required. However, all counterweights that will be used during the certification period shall be tested in some combination during the annual load test.

5.4.2.4.1 Ancillary Equipment Used Without AEPs. As noted in section 4, paragraphs 4.5.3.1.1 and 4.5.3.1.2, AEPs are not required and the existing certification is not voided when removing and reinstalling outrigger pads, counterweights, outrigger/stabilizer extension pins, and boom angle and extension pins, provided all of the components are load tested at the annual certification. The OEM's instructions shall be followed when installing or removing these items.

5.4.2.5 On-Rubber Load Test. As noted in section 6, paragraph 6.8, the allowable on-rubber rated capacity for over-the-side lifting for cranes equipped with outriggers/stabilizers shall not exceed 60 percent of the OEM's load chart values per paragraph 5.8. For those cranes, testing over the side on-rubber is not required. (For rubber tired cranes without outriggers/stabilizers, contact the Navy Crane Center). See section 6 for allowable on-rubber capacities, capacity rating information, and initial stability testing for used and altered cranes. Check the stability and operation of crane, carrier, wheels, tires, brakes, etc., under load by performing the following tests, when lifting without outriggers/stabilizers and/or traveling with the load are permitted at the activity for the type of crane being tested.

Note: Some cranes have different ratings for stationary lifts and for traveling with a load. Each allowable configuration shall be tested.

a. Maximum Certified On-Rubber Capacity.

(1) Hoist 100 percent of the maximum certified on-rubber capacity at the minimum possible radius over the rear (or over the front as required by the OEM). Slowly boom down to the maximum radius for the maximum certified capacity. Observe for any lowering that may occur, which may indicate a malfunction of boom or hoisting components, brakes, or wheels/tires/axle components.

(2) Rotate through the on-rubber working arc as allowed by the OEM. Observe for any lowering that may occur, which may indicate a malfunction of boom or hoisting components, brakes, or wheels/tires/axle components.

(3) Travel a minimum of 50 feet with the test load over the rear (or front as required by the OEM) with the boom parallel to the longitudinal axis of the crane carrier. Observe for any lowering that may occur, which may indicate a malfunction of boom or hoisting components, brakes, or wheels/tires/axle components.

## 5.5 Lattice Boom Cranes.

### 5.5.1 No-Load Tests.

#### 5.5.1.1 Hoist(s).

- a. Raise each hook through the maximum possible working distance of hook travel.
- b. Raise each hoist block into the limit switch (where installed) at slow speed. Ensure the anti-two block alarm operates or the hoist is disabled in accordance with the OEM's operating instructions. If the crane is equipped with control lockouts (also known as function limiters or kickouts), carefully ensure all additional functions that could also two block the hoist are disabled (e.g., boom down) in accordance with the OEM's operating instructions.
- c. Raise each hoist block beyond the limit switch by using the bypass switch (where installed).
- d. Lower each hook through the maximum possible working distance of hook travel. After lowering the hook, ensure the wire rope is packed tightly on the drum prior to proceeding with the load tests to prevent wire rope displacement and crushing.

#### 5.5.1.2 Boom.

- a. Raise and lower the boom through the full working range.
- b. Raise the boom into the upper limit switch (where installed). Raise the boom past the boom upper limit switch using the bypass switch (where installed).
- c. Raise the boom into the secondary upper limit switch (where installed).
- d. Test the lower limit switch (where installed) by the same procedure prescribed for testing the upper limit switch.

5.5.1.3 Other Functions. Other functions including rotate shall be operated through a minimum of one full cycle/revolution of major components, e.g., one full revolution of track crawlers, 360 degrees of upper rotation.

- a. Test the work area limit switch (area definition device), if applicable

5.5.2 Load Test. The load test consists of a maximum certified capacity test and a load moment test. In some cases, these tests may be combined. Additionally, a maximum line pull test is required for cranes that use multiple reeving configurations, and other appropriate tests are required for cranes that use ancillary equipment with AEPs during the certification period. The sequence may be varied by the activity; however, the

following test sequence is recommended. For cranes with multiple reeving configurations, the maximum line pull test (paragraph 5.5.2.4.a) should be performed first.

#### 5.5.2.1 Maximum Certified Capacity Test.

- a. The test load shall be 100 percent of the maximum certified capacity of the crane. Determine the maximum permissible radius for the maximum certified capacity. Perform the test at this radius.
- b. Raise the test load using the hoist.
- c. Lower the test load in power down mode (if the hoist does not have power down mode, use the foot brake to control, stop, and hold the load by latching the foot brake pedal) and test the ability of the brake to control, stop, and hold the test load 10 minutes without boom or load hoist pawls engaged in the teeth (do not disable pawl system).
- d. Observe for any lowering that may occur, which may indicate a malfunction of boom or hoisting components, brakes, or outriggers/stabilizers. With the test load raised, rotate the hook 360 degrees clockwise and counterclockwise to check bearing operation. If the size of the test load precludes a full 360 degree rotation of the hook, perform the hook rotation test during the load moment test.

Note: Due to the number of layers of wire rope on the drum, some cranes may not be able to lift the test load per the OEM's load chart. If the crane cannot lift the test load, check the OEM's hoist line pull for the particular model hoist and layer of rope. If hoist line pull (available torque) is the limiting factor, reduce the test load based on the hoist line pull limitation and perform the required test. Certify the crane based on the reduced test load (i.e., certified capacity is the reduced test load; for TPC cranes, certified capacity is the reduced test load divided by 1.10). If the crane cannot lift the reduced test load, verify that the system hydraulic pressure and relief valves, or clutch settings and tolerances, are set within OEM specifications. If the settings are within specification, contact the OEM.

- e. Operate the boom from maximum radius to minimum radius for the load applied. Repeat the test, operating the boom from minimum radius to maximum radius for the load applied.
- f. If the OEM and activity permits operation of the crane in free-fall mode, test the ability of the brake to stop the load with the friction clutch disengaged. This test shall be performed in strict accordance with OEM and activity instructions and shall not exceed maximum recommended OEM allowances for loads.

#### 5.5.2.2 Load Moment Test.

- a. Test Configuration:



- Maximum radius - the radius that creates the maximum load moment that will safely clear the outriggers/stabilizers/carrier/crawler through the complete rotate range. Ensure that the radius selected allows for changes in carrier frame deflection that will not take the load out of radius or take the load into contact with the crane. During rotation, radius may be adjusted due to carrier frame deflection, but the radius may not be increased after it has been decreased.
- The test load shall be 100 percent of OEM load chart capacity at this radius.

Note: For the purposes of this test, load moment is the product of capacity multiplied by radius.

b. Outrigger/Stabilizer Component Slippage. Raise the test load using the hoist. Rotate the crane at slow speed through the complete rotation range (at maximum radius as defined above) as allowed by the OEM and apply the brake periodically during rotation. The brake shall demonstrate its ability to stop the rotating motion in a smooth, positive manner. Hold the load over (or near as allowed by OEM) each outrigger/stabilizer for 5 minutes (holding over the center front outrigger/stabilizer is not required). Observe for any lowering that may occur, which may indicate a malfunction of boom or hoisting components, brakes or outriggers/stabilizers. Rotate the crane in the opposite direction through the complete rotation range as allowed by the OEM.

Notes for outrigger/stabilizer component slippage tests:

1. The significance of any lowering shall be evaluated by the activity engineering organization depending on operating requirements and safety.
2. For cranes equipped with outrigger/stabilizer locking devices but where activity operating procedures permit operation without the use of the locking devices, this test shall be performed with the locking devices disengaged.

c. Crawler Crane Rotation. Raise the test load using the hoist. Rotate the crane at slow speed through the complete rotation range (at maximum radius as defined above) as allowed by the OEM and apply the brake periodically during rotation. The brake shall demonstrate its ability to stop the rotating motion in a smooth, positive manner. Hold the load with the boom positioned over (or near as allowed by OEM) the corner of each crawler tread for 5 minutes (holding over the center front outrigger/stabilizer, if equipped, is not required). Observe for any lowering that may occur, which may indicate a malfunction of boom or hoisting components, brakes, outriggers/stabilizers, or crawler treads. Rotate the crane in the opposite direction through the complete rotation range as allowed by the OEM.

d. Boom Operation. Operate the boom from maximum radius to minimum radius for the load applied. Repeat the test, operating the boom from minimum radius to maximum radius for the load applied.

5.5.2.3 Auxiliary and Whip Hoist. The test load shall be 100 percent of the maximum certified capacity for the hoist to be tested.

a Raise the test load using the hoist.

b Lower the test load and test the ability of the brake to control, stop, and hold the test load (10-minute hold).

c Observe for any lowering that may occur, which may indicate a malfunction of boom or hoisting components, brakes, or outriggers/stabilizers. With the test load raised, rotate the hook 360 degrees clockwise and counterclockwise to check bearing operation.

5.5.2.4 Maximum Line Pull Test and Ancillary Equipment Tests. For cranes that will use multiple reeving configurations or ancillary equipment (fixed jibs, luffing jibs, jib inserts, multiple load blocks, etc.) using procedures per section 4, the following load tests are required:

a Maximum Line Pull Test.

Note. Testing of all possible reeving configurations is not required. In some cases, this test may be combined with the maximum certified capacity test or load moment test. For cranes with identical main and auxiliary hoists (winches) and an approved reeving AEP, either hoist may be used to the maximum certified crane capacity based on satisfactory maximum line pull tests on each hoist and a satisfactory completion of the maximum certified capacity and load moment test on one hoist.

(1) The reeving configuration to be tested shall be such that the test load produces 100 percent of the maximum allowable wire rope line pull. If the crane cannot lift the test load due to the number of layers of wire rope on the drum, see the Note of paragraph 5.5.2.1.

(2) Raise the test load using the hoist.

(3) Lower the test load and test the ability of the brake to control, stop, and hold the test load (10-minute hold).

b Ancillary Equipment Tests.

(1) The test load shall be 100 percent of the maximum certified capacity of the equipment, or 100 percent of the maximum allowable wire rope line pull if the equipment is not fully reeved. For jibs with variable offset angles

and lengths, test at the greatest offset and length used. Record each test configuration and test load on the certification supplement form, figure 4-2.

Notes:

1. For cranes with multiple boom sections, testing of all possible boom insert combinations is not required. However, all sections that will be used during the certification period shall be tested. Repeat the maximum certified capacity test of paragraph 5.5.2.1 at the maximum boom length anticipated for use during the certification period using 100 percent of the maximum capacity for that boom length. Main boom sections are not considered ancillary equipment for crane alteration purposes.

2. For cranes with multiple counterweight configurations, testing of all possible counterweight combinations is not required. However, all counterweights that will be used during the certification period shall be tested in some combination during the annual load test.

5.5.2.4.1 Ancillary Equipment Used Without AEPs. As noted in section 4, paragraphs 4.5.3.1.1 and 4.5.3.1.2, AEPs are not required and the existing certification is not voided when removing and reinstalling outrigger/stabilizer pads, counterweights, outrigger/stabilizer extension pins, and boom angle and extension pins, provided all of the components are load tested at the annual certification. The OEM's instructions shall be followed when installing or removing these items.

5.5.2.5 On-Rubber Load Test. As noted in section 6, paragraph 6.8, the allowable "on-rubber" rated capacity for over the side lifting for cranes equipped with outriggers/stabilizers shall not exceed 60 percent of the OEM's load chart values per paragraph 6.8. For those cranes, testing over the side is not required. See section 6 for allowable on-rubber capacities, capacity rating information, and initial stability testing for used and altered cranes. Check the stability and operation of crane, carrier, wheels, tires, brakes, etc., under load by performing the following tests, when lifting without outriggers/stabilizers and/or traveling with the load are permitted at the activity for the type of crane being tested.

Note: Some cranes have different ratings for stationary lifts and for traveling with a load. Each allowable configuration shall be tested.

a. Maximum Certified On-Rubber Capacity.

(1) Hoist 100 percent of the maximum certified on-rubber capacity at the minimum possible radius over the rear (or over the front as required by the OEM). Slowly boom down to the maximum radius for the maximum certified capacity. Engage the boom and load hoist pawls, where applicable. Observe for any lowering that may occur, which may indicate a malfunction of boom or hoisting components, brakes, or wheels/tires/axle components.

(2) Rotate through the on-rubber working arc as allowed by the OEM. Observe for any lowering that may occur, which may indicate a malfunction of boom or hoisting components, brakes, or wheels/tires/axle components.

(3) Travel a minimum of 50 feet with the test load over the rear (or front as required by the OEM) with the boom parallel to the longitudinal axis of the crane carrier. Observe for any lowering that may occur, which may indicate a malfunction of boom or hoisting components, brakes, or wheels/tires/axle components.

5.5.2.6 Crawler Travel Test. Check the stability and operation of carrier, brakes, crawlers, etc., under load by performing the following tests, when traveling with the load is permitted for a crawler crane.

Note: Some cranes have different ratings for stationary lifts and for traveling with a load.

a. Maximum Certified Travel Capacity.

(1) Hoist 100 percent of the maximum certified travel capacity at the minimum possible radius over the rear (or over the front as required by the OEM). Slowly boom down to the maximum radius for the maximum certified travel capacity. Engage the boom and load hoist pawls, where applicable. Observe for any lowering that may occur, which may indicate a malfunction of boom or hoisting components, brakes, or crawler components.

(2) Travel a minimum of 50 feet with test load over the rear (or front as required by the OEM) with the boom parallel to the longitudinal axis of the crane carrier. Observe for any lowering that may occur, which may indicate a malfunction of boom or hoisting components, brakes, or crawler components.

5.6 Test After Change or Repair of Tires. For category 1 mobile cranes with on-rubber lift capability, in lieu of a load test the following test may be performed after change or repair of tires. The crane shall be traveled (with no load on hook) a minimum of 100 feet, forward and reverse, with the counterweight positioned over the corner of the crane with the affected tire (if allowed by the OEM) and with the boom at minimum radius or as required by the OEM. This test may also be used for repairs on load bearing axle/suspension components on mobile cranes equipped with counterweights provided the OEM allows the counterweight to be positioned over the area of the crane with the affected repair. For category 4 cranes where tires remain on the ground with outriggers/stabilizers extended, perform the maximum capacity test on the side of the crane with the affected tire. This paragraph does not apply to mobile boat hoists and rubber tired gantry cranes. See paragraph 8.3.4 for these cranes.

5.7 Wire Rope Test for New Rope. The maximum working length of new wire rope shall be tested before being put in service on any hoist. For a main hoist that also has an approved reeving AEP, perform the maximum line pull test using maximum wire rope

of paragraph 5.4.2.4 or 5.5.2.4 as appropriate using the maximum possible boom length for the test weight. For main hoists without an approved reeving AEP, this shall be accomplished by performing the maximum certified capacity test of paragraph 5.4.2.1 or 5.5.2.1 as appropriate and the load moment test of paragraph 5.4.2.2 or 5.5.2.2 as appropriate. If the line pull during the load moment test is equal to or greater than the line pull during the maximum certified capacity test, the maximum certified capacity test is not required. If the boom length is the same for the maximum capacity test and the load moment test, the maximum capacity test shall be utilized and the load moment test is not required. For the auxiliary and whip hoists, this test shall be accomplished by performing the test of paragraph 5.4.2.3 or 5.5.2.3 as appropriate.

5.8 Articulating Boom Cranes. Follow the requirements of paragraphs 5.1, 5.3, and 5.3.1, and perform a no-load test in accordance with paragraph 5.4.1, as applicable. Definitions and nomenclature are extracted from ASME B30.22.

5.8.1 Maximum Test Load for the Outer Hook or Padeye.

**CAUTION:** Lift the test load only high enough to perform the required tests. Use of long slings or chain falls to maintain a safe load height is recommended.

a. Static Test. Raise the test load to clear the ground with boom sections at either the minimum allowable articulating angle (typically inner boom and secondary boom in a straight line for a zero-degree articulation angle) or at the maximum allowable articulating angle (knuckled in) for the size of the load, and at the minimum possible radius for the load and hold for 10 minutes. Rotate the load and hook 360 degrees clockwise and counterclockwise to check bearing operation, if applicable (if there is no anti-friction bearing in the hook block, the hook rotation test may be omitted). Observe for any lowering that may occur, which may indicate a malfunction of boom or hoisting components, brakes, or outriggers/stabilizers. Tests 5.8.1.a through c shall be performed with manual or hydraulic telescoping boom sections fully retracted.

**Note:** The length of the test slings and safety of the lift will govern the actual minimum test radius. Use extreme caution when lifting the test load for cranes that have no winch (wire rope hoist) to maintain load within radius. See note under 5.4.2.1 for winch, if applicable.

b. Dynamic Test. Raise and lower the test load at normal operating speeds using the winch if so equipped. Test the ability of the winch brake and controls to control and stop the load. If the crane is not equipped with a winch skip this step.

c. Boom Operation. Using the inner and secondary boom lift cylinders, operate the boom from minimum radius to maximum radius for the load applied. Repeat the test in the opposite direction.

d. Hydraulic Component Slippage Test For Cranes Equipped With Hydraulic Extension (Telescoping) Cylinders. Lift the test load inside the maximum radius and allow time for fluid and component temperatures to stabilize. Hold the load for 10 minutes without use of controls by the operator. There shall be no significant

lowering of the load, boom, or outrigger/stabilizer beams due to components or systems malfunction or failure during the test.

Notes for hydraulic component slippage test:

(1) Test at the maximum hydraulically extended boom length, minimum allowable articulating angle, and minimum radius corresponding to that boom length and articulating angle (long slings or portable manual hoists may be required to keep the load as close to the ground as possible).

(2) In addition, for cranes with load chart configurations that allow lifts with the secondary boom (and/or other boom sections) articulated below horizontal (knuckled in), perform the test with all extension (telescoping) cylinders fully retracted, at the maximum articulating angle (knuckled in), and at the minimum radius for that configuration if not previously performed in paragraph 5.8.1.a.

(3) For cranes without lockable outriggers/stabilizers, or for cranes with lockable outriggers/stabilizers where the activity allows operation without the use of the locking devices, one of the above tests shall be performed on the opposite side of the crane than the static test (and over the front for cranes with front outriggers/stabilizers).

(4) For cranes equipped with the same hydraulic holding valve for both directions on the hydraulic extension (telescoping) cylinder(s), the test in paragraph 5.8.1.d note (2) is not required.

(5) For cranes without hydraulic telescoping cylinders, the test in paragraph 5.8.1.a may serve as the hydraulic component slippage test for one side and the stability test in paragraph 5.8.2.c will serve as the hydraulic component slippage test for the opposite side.

(6) The significance of any lowering shall be evaluated by the activity engineering organization depending on operating requirements and safety.

5.8.2 Stability Test. The test load shall be established based on the maximum hydraulically extended boom length (for cranes equipped with hydraulic extension cylinders), minimum articulation angles, and maximum allowable radius as determined by the posted load chart (typically “straight out”). See exception below.

a. Boom Operation. Raise and lower the boom using the inner boom lift cylinder through a safe working range based on the length of the slings for the length of boom extended and radius as determined below. Visually observe for smooth operation.

b. Rotation. At slow speed, rotate left and right the maximum degrees allowed by the OEM at the radius as determined below with boom and load hoist pawls engaged where applicable. The crane shall demonstrate its ability to stop the rotating motion in a smooth, positive manner.

c. Hydraulic Component Slippage Test For Cranes Equipped Without Hydraulic Extension (Telescoping) Cylinders. Lift the test load inside the maximum radius and allow time for fluid and component temperatures to stabilize. Hold the load for ten minutes without use of controls by the operator. There shall be no significant lowering of the load, boom, or outrigger/stabilizer beams due to components or systems malfunction or failure during the test.

Notes for hydraulic component slippage test:

1. For cranes without lockable outriggers/stabilizers, or for cranes with lockable outriggers/stabilizers where the activity allows operation without the use of the locking devices, one of the above tests shall be performed on the opposite side of the crane than where the other tests were performed (and over the front for cranes with front outriggers/stabilizers).
2. The significance of any lowering shall be evaluated by the activity engineering organization depending on operating requirements and safety.

Notes for stability test:

1. These tests shall be performed over the side of the crane. Stability testing can be extremely hazardous, particularly with long booms. To minimize the hazard, perform the test in the following configurations:
2. If no ratings are governed by stability, perform the above tests with the boom at the maximum hydraulically extended boom length (for cranes equipped with hydraulic extension cylinders), minimum articulation angles, and maximum allowable radius as determined by the posted load chart (typically "straight out"). If some load chart ratings are governed by stability, perform the test with the boom positioned at the first boom length governed by stability, minimum articulation angle, and maximum allowable radius and load for that boom length.
3. When lifting test loads, always lift the load well within the maximum radius and slowly boom down to the pre-measured radius (as determined above) stopping at least once to test the effectiveness of the boom hydraulic system to control the load. Lift the test load only high enough to perform the required tests.
4. A crane outrigger/stabilizer may become light (start to rise up within the outrigger/stabilizer pad) and the outrigger/stabilizer pad may clear the ground during this procedure (with the boom positioned over the opposite corner) depending on the make and model. Generally, this is normal and not an indication of tipping. However, the activity shall verify with the crane OEM that a crane exhibiting this condition is safe for use.

5.8.3 Maximum Test Load for the Inner Hook or Padeye. If crane is equipped with an inner hook or padeye that is utilized by the activity, perform the test required by paragraphs 5.8.1.a and c, on the inner hook or padeye.

5.8.4 Ancillary Equipment. When authorized for use, ancillary equipment (manual extensions, etc.) shall be load tested. Test load shall be based on the maximum rated load for the equipment, or as limited by wire rope line pull if the equipment is not fully reeved. Record each test configuration and test load on the certification supplement form, figure 4-2.

5.8.4.1 Ancillary Equipment Used Without AEPs. As noted in section 4, paragraphs 4.5.3.1.1 and 4.5.3.1.2, AEPs are not required and the existing certification is not voided when removing and reinstalling outrigger/stabilizer pads, counterweights, outrigger/stabilizer extension pins, boom angle and extension pins, etc., provided all of the components are load tested and certified at the annual certification. The OEM's instructions shall be followed when installing or removing these items.

5.9 Weight Handling Equipment Used for Other than Lift Crane Service. Crawler, truck, and cruiser cranes that are used with ancillary lifting devices for clamshell, dragline, magnet, pile driving, or other non-lift crane work shall be tested at the maximum safe working load permitted for the size of wire rope being used. This test shall be performed in all working motions except travel. Buckets, magnets, etc., may be removed for testing wire rope. No test is required after reassembly. Retesting is not required when an end attachment is changed (i.e., changed from clamshell use to dragline and so on) during the certification period.

## 6 Bridge/Overhead Traveling, Wall, Gantry, Cantilever Gantry and Semi-gantry Cranes, Including Portable Gantry/A-Frames With Permanently Mounted Hoists.

### 6.1 No-Load Test.

#### 6.1.1 Hoist.

- a. Raise each load hook slowly into the hoist upper limit switch.
- b. Upper Limit Switch Bypass. Raise the hook slowly through the upper limit switch by using the limit switch bypass (where applicable).
- c. Activate the secondary hoist upper limit switch, where applicable (see appendix D, item 29).
- d. Lower and raise each hook through the controller range.
- e. Lower each hook into the lower limit switch (where applicable).

6.1.1.1 Emergency Brake on Wire Rope Drum (Shaft Failure Detection System). Simulate a system fault by disconnecting the motor encoder signal while lowering at slow speed. Verify that the brake applies within the designed delay and that the hoist control is disabled in each direction. Reconnect the encoder after the test. Repeat this test with the drum encoder. If the system uses components other than encoders (e.g., resolvers,



mechanical overspeed devices) to provide detection, or if the system requires other methods than disconnecting the encoder signal to properly test the system, the activity engineering organization shall develop the method for simulating the fault (e.g., forcing variables).

6.1.2 Trolley. Operate the trolley through the controller range in both directions. Operate the full distance of the bridge rails and slowly contact the trolley rail stops with the bumpers. Verify proper brake operations.

6.1.3 Bridge/Gantry. Operate the bridge/gantry through the controller range in both directions. Operate the full distance of the runway and slowly contact the runway rail stops with the crane bridge/gantry bumpers. Verify proper brake operation. Travel portable gantry/A-frame with permanently mounted hoists only if allowed by OEM and only with a load under specific OEM instruction.

6.2 Load Test. Test each load hook separately.

6.2.1 Hoist.

a. Static Test. Raise the test load and hold for 10 minutes. Rotate the load and hook 360 degrees clockwise and counterclockwise to check bearing operation (if there is no anti-friction bearing in the hook block, the hook rotation test may be omitted). Observe for lowering of the load, which may indicate malfunction of hoisting components or brakes. For hoists with primary and secondary holding brakes, perform the tests in paragraph 6.2.1.b in lieu of this test.

b. Primary and Secondary Holding Brakes. For hoists with primary and secondary holding brakes (i.e., where each brake is designed to individually hold the load) raise the test load and observe the proper timing sequence in the application of the primary and secondary brake when the controller is returned to neutral. Visually observe both hoist holding brakes to ensure correct operation.

(1) Raise the test load and inactivate the secondary holding brake while testing the primary holding brake. Hold for 10 minutes. Observe for lowering of the load, which may indicate malfunction of hoisting components or brakes.

(2) Re-engage secondary holding brake and release the primary holding brake. Hold for 10 minutes. Observe for lowering of the load, which may indicate malfunction of hoisting components or brakes. Re-engage the primary holding brake. Recheck proper operation of time delay and ensure smooth positive stopping. Rotate load and hook 360 degrees clockwise and counterclockwise to check bearing operation (if there is no anti-friction bearing in the hook block, the hook rotation test may be omitted).

(3) If the brakes are designed to individually hold only the rated capacity (and not 125 percent), then the tests in subparagraphs (1) and (2) may be performed with a test load of 100 (+0/-5) percent of rated capacity, and the

certification shall be so noted. However, the brakes, acting together, shall demonstrate the ability to hold a 125 percent test load for a 10-minute period.

- c. Dynamic Test, Including Dynamic Load Brake. Raise and lower the test load and visually observe smooth control and acceleration between points. Stop the load during hoisting and lowering to verify the brake stops and holds the load.

Note: Dynamic load brakes include eddy current brakes, DC regenerative braking, regenerative braking from squirrel cage motors, etc. Dynamic braking will not stop motion.

- d. Mechanical Load Brake. Raise the test load approximately five feet (higher or lower as appropriate for the conditions). With the hoist controller in the neutral position, release the holding brake (see notes). The load brake shall hold the test load. Raise the test load the minimum amount to perform the following test. Again, with the holding brake in the released position, start the test load down slowly and return the controller to the neutral position as the test load lowers. The load brake shall stop the test load. If the load brake does not stop the test load, but prevents the test load from accelerating, activities shall contact the OEM or activity engineering organization to ensure that the load brake is operating as designed. This characteristic and OEM or activity engineering organization correspondence shall be documented in the equipment history file.

Note 1: Methods of releasing the holding brake will vary from crane to crane depending upon the design of the brake and hoist. The two general methods of releasing the brake are mechanical and electrical. There are rare examples of holding brakes that may be defeated pneumatically or hydraulically. The following are various examples of releasing a brake that may apply to a particular crane:

- (a) Using a pry-bar between the pressure plate and housing of a disc brake to release the disc brake.
- (b) Mechanically forcing a brake solenoid plunger into the released position.
- (c) Installing a clamp to clamp a disc brake open.
- (d) Inserting a block into a brake linkage to prevent the brake from applying.
- (e) Using the brake release levers/handles if the brake is so equipped.
- (f) Adjusting the brake setting such that no torque is produced by the brake. This method will require a static and dynamic retest of the brake when it is adjusted back to the correct setting after the load brake test.
- (g) Installing a switched jumper that electrically releases and sets the brake. The switch shall set the brake in the event of a mechanical load

brake failure. Temporarily installing the switched jumper is not a crane alteration. Permanent installation of a switched jumper is a crane alteration requiring Navy Crane Center approval.

In addition to listing this test paragraph (if applicable), the activity shall describe in writing how the holding brake will be defeated to test the mechanical load brake (or why the brake cannot be defeated). This description may be in the form of a detailed or standard procedure. The method utilized shall be annotated on the Remarks portion of the CCIR.

**CAUTION:** Depending on the design of the brake, some of the mechanical methods will require work to be performed in the vicinity of energized electrical circuits. Mechanics and electricians who perform work in energized areas shall be trained by the activity and all work shall meet applicable OSHA requirements. Methods (c), (e), and (g) do not necessarily require work in energized areas.

**Note 2:** For hoists where the holding brake cannot be mechanically or electrically released (such as brakes that are integral to the motor's rotor which energizes the armature when released or only release by centrifugal force), observe for smooth lowering motion and unusual noise or overheating during lowering.

e. **Loss of Power (Panic Test).** This test is designed to test the reaction of a hoisting unit in the event of power failure during a lift. Hoist the test load to approximately 10 feet (higher or lower as appropriate for the conditions). Lower the test load at slow speed, and with the controller in the slow lowering position, disconnect the main power source. The load shall stop. Return the controller to the neutral position. If the load does not stop until the controller is placed in the neutral position, the activity engineering organization and the Navy Crane Center (Code 03) shall review the circuitry to ensure this is the intended OEM design.

**CAUTION:** The activity engineering organization shall review the system circuitry for cranes with electronic controls to ensure that this test can be performed safely without damaging the control system. For cranes where the controls may be damaged, the activity engineering organization shall document their justification and fully describe the alternate tests performed. Alternate test procedures require Navy Crane Center approval.

#### 6.2.1.1 Emergency Brake on Wire Rope Drum (Shaft Failure Detection System).

a. **Static Test.** Test the ability of the hoist caliper disc brake to hold the test load after testing the other holding brake(s). Raise the test load off the ground. Depress the emergency stop pushbutton to disconnect the main power source and set the brakes. Manually release all brakes except the caliper disc brake. Hold the load for 10 minutes with the caliper disc brake. Observe for lowering of the load, which may indicate a malfunction of the hoisting components or the brake. Reset the other holding brake(s) to the applied condition. Energize the main power source. Verify that the load is held by the holding brake(s). Operate the hoist in each direction and verify proper operation of all controls and brakes.

b. Dynamic Test. Perform with a test load of 100 (+0/-5) percent of rated capacity. Raise the load to a sufficient height to perform the following test. Lower the load at the minimum speed necessary to simulate a shaft failure. Disable all hoist brakes (manually release) except the wire rope drum brake and simulate a system fault by interrupting (e.g., test switch) the motor or drum encoder. If the system uses components other than encoders (e.g., resolvers, mechanical overspeed devices) to provide detection, or if the system requires other methods than disconnecting the encoder signal to properly test the system, the activity engineering organization shall develop the method for simulating the fault (e.g., forcing variables). The brake shall stop the load. Reset all brakes.

CAUTION: Station appropriately trained personnel at each disabled hoist brake in case of failure of the drum brake to stop the load. These personnel shall be in constant contact with the load test director and prepared to safely engage the hoist brakes when directed.

6.2.2 Trolley Motion. Operate the trolley (if space is available) the full distance of the bridge rails using extreme caution. Verify proper brake operation.

6.2.3 Bridge/Gantry Motion. With the trolley at one end of the bridge/gantry, operate the bridge/gantry the full distance of the runway (if space is available) using extreme caution. With the trolley at the opposite end of the bridge/gantry, operate the bridge/gantry in the opposite direction the full distance of the runway (if space is available) using extreme caution. Observe for any binding of the bridge/gantry trucks, and verify proper brake operation. Travel portable gantry/A-frames with permanently mounted hoists with a load only under specific OEM instruction.

Note: If the crane is equipped with multiple trolleys (or multiple hoists) which are used to achieve the rated load of the crane (e.g., two 10,000-pound trolleys which together comprise a 20,000-pound crane capacity), then the tests in 6.2.2 and 6.2.3 shall be performed with the multiple trolleys (or hoists) loaded simultaneously.

6.3 Stopping Under Loss of Power (For Cranes without Bridge/Gantry or Trolley Automatic Brakes). A safety hazard exists in controlling the motion of the bridge/gantry and trolley, and therefore the motion of the load, for certain cranes in the event of a power failure. The seriousness of the hazard varies with the speed of bridge/gantry or trolley; the size and weight of the load; the surrounding environment; and the operating characteristics of the individual cranes. The major factor in reducing this hazard is the skill and response of the operator, because it is not considered either feasible or practical to modify all the existing cranes that are not provided with automatic braking in all travel modes. These requirements do not apply if the bridge/gantry crane is exclusively cab-operated and has an operator applied brake (e.g., hydraulic foot brake, mechanical foot brake, etc.), or if the crane utilizes self-locking worm gear drives for the bridge/gantry or trolley. Accordingly, the following actions shall be taken:

6.3.1 The operating characteristics of the crane under a loss of power shall be determined by operational field testing (with the test load) and recorded. This shall be a

one-time test unless repairs or alterations are made that will change the operating characteristics of the crane under the loss of power.

6.3.2 The certifying official shall make a determination that the operating characteristics are within acceptable limits of safety for operations under loss of power.

6.3.3 Instructions, as appropriate, shall be posted in the crane cab and/or on the pendant controller to warn the operator of the characteristics of the crane and the necessary precautions in the event of loss of power.

6.4. Gantry Frame Extension Pins. As noted in section 4, paragraph 4.5.3.1.3, AEPs are not required and the existing certification is not voided when removing and reinstalling pins used to raise and lower gantry cranes, provided the pins are load tested and certified with the crane at the highest elevation for which use is anticipated. The OEM's instructions shall be followed when installing or removing these items.

## 7 Jib, Pillar, Pillar Jib, Monorail, Davit, and Fixed Overhead Hoist.

7.1 No-Load Test. Test each operation separately.

### 7.1.1 Hoist.

- a. Raise each load hook slowly into the hoist limit switch.
- b. Upper Limit Switch Bypass. Raise the hook slowly through the upper limit switch by using the limit switch bypass (where applicable).
- c. Activate the secondary limit switch, where applicable (see appendix D, item 29).
- d. Lower and raise each hook through the controller range.
- e. Lower each hook into the lower limit switch (where applicable).

7.1.2 Trolley. Operate the trolley through the controller range in both directions. Operate the full length of the monorail or jib and slowly contact the stops. Verify proper brake operations. Operate all rail switches and verify proper operation.

7.1.3 Rotate. (Jib, Pillar, and Pillar Jib) Rotate through the working range (where space is available) at maximum radius.

## 7.2 Load Test.

### 7.2.1 Hoist.

- a. Static Test. Raise the test load and hold for 10 minutes. Rotate the load and hook 360 degrees clockwise and counterclockwise to check bearing operation (if

there is no anti-friction bearing in the hook block, the hook rotation test may be omitted). Observe for lowering of the load, which may indicate malfunction of hoisting component or brake.

b. Dynamic Test, Including Dynamic Load Brake. Raise and lower the test load and visually observe smooth control and acceleration between points. Stop the load during hoisting and lowering to verify the brake stops and holds the load.

Note: Dynamic load brakes include eddy current brakes, DC regenerative braking, regenerative braking from squirrel cage motors, etc. Dynamic braking will not stop motion.

c. Mechanical Load Brake. Raise the test load approximately five feet (higher or lower as appropriate for the conditions). With the hoist controller in the neutral position, release the holding brake (see notes). The load brake shall hold the test load. Raise the test load the minimum amount to perform the following test. Again, with the holding brake in the released position, start the test load down slowly and return the controller to the neutral position as the test load lowers. The load brake shall stop the test load. If the load brake does not stop the test load, but prevents the test load from accelerating, activities shall contact the OEM or activity engineering organization to ensure that the load brake is operating as designed. This characteristic and OEM or activity engineering organization correspondence shall be documented in the equipment history file.

Note 1: Methods of releasing the holding brake will vary from crane to crane depending upon the design of the brake and hoist. The two general methods of releasing the brake are mechanical and electrical. There are rare examples of holding brakes that may be defeated pneumatically or hydraulically. The following are various examples of releasing a brake that may apply to a particular crane:

- (a) Using a pry-bar between the pressure plate and housing of a disc brake to release the disc brake.
- (b) Mechanically forcing a brake solenoid plunger into the released position.
- (c) Installing a clamp to clamp a disc brake open.
- (d) Inserting a block into a brake linkage to prevent the brake from applying
- (e) Using the brake release levers/handles if the brake is so equipped.
- (f) Adjusting the brake setting such that no torque is produced by the brake. This method will require a static and dynamic retest of the brake when it is adjusted back to the correct setting after the load brake test.

(g) Installing a switched jumper that electrically releases and sets the brake. The switch shall set the brake in the event of a mechanical load brake failure. Temporarily installing the switched jumper is not a crane alteration. Permanent installation of a switched jumper is a crane alteration requiring Navy Crane Center approval.

In addition to listing this test paragraph (if applicable), the activity shall describe in writing how the holding brake will be defeated to test the mechanical load brake (or why the brake cannot be defeated). This description may be in the form of a detailed or standard procedure. The method utilized shall be annotated on the Remarks portion of the CCIR.

**CAUTION:** Depending on the design of the brake, some of the mechanical methods will require work to be performed in the vicinity of energized electrical circuits. Mechanics and electricians who perform work in energized areas shall be trained by the activity and all work shall meet applicable OSHA requirements. Methods (c), (e), and (g) do not necessarily require work in energized areas.

**Note 2:** For hoists where the holding brake cannot be mechanically or electrically released (such as brakes that are integral to the motor's rotor which energizes the armature when released or only release by centrifugal force), observe for smooth lowering motion and unusual noise or overheating during lowering.

d. **Loss of Power (Panic Test).** Hoist the test load to approximately 10 feet (higher or lower as appropriate for the conditions) and, while slowly lowering test load, cut main power to hoist. The load shall stop. Return the controller to the neutral position. If the load does not stop until the controller is returned to the neutral positions for electric hoists, the activity engineering organization and Navy Crane Center (Code 03) shall review the circuitry to ensure this is the intended OEM design. Certain air hoist designs must be returned to the neutral position before the load will stop. The significance of the stopping distance for air hoists shall be evaluated and published by the certifying official (if the stopping distance upon loss of power/air pressure is significantly different than the stopping distance upon returning the controller to neutral) depending on operating requirements and safety.

**CAUTION:** The activity engineering organization shall review the system circuitry for cranes with electronic controls to assure that this test can be performed safely without damaging the control system. For cranes where the controls may be damaged, the activity engineering organization shall document their justification and fully describe the alternate tests performed. Alternate test procedures require Navy Crane Center approval.

7.2.2 **Trolley.** Operate the trolley through the full distance of the monorail or jib (where the space is available). Observe for any malfunctioning of the trolley assembly and alignment of monorail or jib. Verify proper brake operation.

7.2.3 Rotate (Jib, Pillar, Pillar Jib, and Davit). Rotate the crane (where space is available) through the working range at maximum radius, stopping the load at several points. There shall be no excessive drift of jib or trolley at any of these points. If a horizontal force of 15 pounds or less will restrain the load, then the drift is acceptable.

7.3 Boom Angle and Extension Pins. As noted in section 4, paragraph 4.5.3.1.2, AEPs are not required and the existing certification is not voided when removing and reinstalling boom angle and extension pins on category 3 pedestal mounted commercial boom assemblies, provided the pins are load tested and certified with the crane. The OEM's instructions shall be followed when installing or removing these items.

## 8 Mobile Boat Hoists Including Self Propelled and Towed Types, and Rubber-Tired Gantry Cranes.

8.1 Test Load. The nominal test load shall be 100 percent of the OEM capacity. Depending upon the design of the mobile boat hoist, the test load may include the weight of (or deduction values for) the spreader and sling assemblies below the lower block. Follow OEM or activity engineering instructions for weight deduction values.

### 8.2 No-Load Test.

#### 8.2.1 Hoist.

- a. Raise each block through the maximum working range of hook travel.
- b. Run each hoist block into the upper limit switch (where installed) at slow speed.
- c. Lower each block through the maximum working range of hook travel.

**CAUTION:** After lowering the blocks, ensure there are a minimum of two wraps on grooved drums (three wraps on smooth drums), and ensure the wire rope is packed tightly on the drum to prevent wire rope displacement and crushing prior to proceeding with load tests.

8.2.2 Travel Test. Travel a minimum of 50 feet (if applicable) steering left and right testing for proper steering operation. Verify steering alignment is in accordance with OEM instructions. Test travel alarms and emergency stop switches (where installed). For towed-type mobile boat hoists, tow the mobile boat hoist a minimum of 50 feet.

8.2.3 Trolley Test. If applicable, operate the trolley in both directions the full length of the available trolley travel and slowly contact the stops. Verify proper brake operations.

### 8.3 Load Test.

#### 8.3.1 Hoist.



**CAUTION:** On certain types of mobile boat hoists that use deck fittings for lifting test loads, ensure that the rotation alignments of the deck fittings are aligned in the plane of the sling. Lift the test load only high enough to perform the required tests.

- a. **Static Test.** Raise the test load approximately 1 foot and hold for 10 minutes. Observe for any lowering that may occur, which may indicate a malfunction of the hoisting components, or hoist brakes. If applicable, rotate the test load and hook 360 degrees clockwise and counterclockwise to check bearing operation (if there is no anti-friction bearing in the hook block, the hook rotation test may be omitted).

Notes for paragraph 8.3.1.a:

1. On certain types of mobile boat hoists, the hoist drums use one continuous length of wire rope between two hoists. The wire rope shall be equalized (equal amounts of wire rope on each drum) before a lift is made. Follow OEM procedures for equalizing hoist drums.
2. For certain types of mobile boat hoists the engine shall be at full speed when lifting the test load. Follow the OEM instructions if available.
3. For mobile boat hoists with individual hoists connected to each corner of the test load, ensure that the test load is raised evenly.
4. For mobile boat hoists that have individual load hooks on a single load beam (spreader), the load beam shall be marked with its maximum capacity. If the rated capacity of the load beam is based on the capacity of all hooks, the hooks shall be tested together at the test load percentage shown in paragraph 8.1.

- b. **Hoist Dynamic Test.** Raise and lower the test load at normal operating speeds and visually observe smooth control.

- c. **Hoist Brake.** Test the ability of the hoist brake to control and stop the load while slowly raising and lowering the test load.

8.3.2 **Travel Test.** For self-propelled mobile boat hoists, travel the mobile boat hoist at slow speed a minimum of 50 feet forward and reverse. At slow speed apply the travel foot brake. While traveling, steer right and left. For towed-type mobile boat hoists, tow the mobile boat hoist a minimum of 50 feet.

8.3.3 **Trolley Test.** If applicable, operate the trolley through the full length of the available trolley travel. Observe for any malfunctioning of the trolley assembly. Verify proper brake operation.

**CAUTION:** Attach taglines to the load to control oscillation. Test personnel shall stand clear of tires during load test.

8.3.4 Test After Change or Repair of Tires. Static, dynamic, and travel load tests are required after change or repair of tires unless there are eight or more tires on the crane, in which case the static and dynamic tests are not required and the travel test may be performed under no load due to redundancy.

APPENDIX F - EXAMPLES OF LOAD BEARING PARTS,  
LOAD CONTROLLING PARTS, AND OPERATIONAL SAFETY DEVICES

EXAMPLES OF LOAD BEARING PARTS

HOOK	FOUNDATIONS FOR HOIST
HOOK NUT	COMPONENTS
HOOK BEARING	FOUNDATION BOLTS AND NUTS
LOAD BLOCK	TROLLEY WHEELS AND AXLES
SHEAVES	TROLLEY FRAME MAIN MEMBERS
SHEAVE PINS	BRIDGE BEAM AND END
BOOM HEEL PINS	CONNECTIONS
BOOM PIN HOUSINGS	HOOK TRUNNION
BOOM PIN HOUSING CONNECTIONS	EQUALIZER BARS AND PINS
WIRE ROPE	SHEAVE BEARINGS
WIRE ROPE FITTINGS	DRUM AND PINION SHAFT BEARINGS
WIRE ROPE DRUMS	HOIST REDUCER BEARINGS AND
DRUM SHAFTS	BEARING RETAINERS
DRUM SHAFT BEARING HOUSINGS	HOIST REDUCER MECHANICAL LOAD
DRUM SHAFT HOUSING NUTS AND	BRAKES
BOLTS	HOIST DRIVE KEYS
HOIST DRUM BULL GEAR	LOAD RESTRAINING SHEAR BLOCKS
HOIST DRUM PINION GEAR	LOWER ROLLER PATH
GEAR TO SHAFT CONNECTION	ROLLER SPIDERS
GEAR TO DRUM CONNECTION	TRUCK SYSTEM SADDLES
PINION SHAFT	LUFFING HOIST PAWL, RATCHET, AND
PINION SHAFT BEARING HOUSINGS	FOUNDATION
PINION SHAFT BEARING HOUSING	UPPER ROLLER PATH
BOLTS AND NUTS	ROLLER PATH ROLLERS/WHEELS
AUTOMATIC HOIST BRAKES	LOAD CARRYING AXLES OF ROLLERS
PINION SHAFT TO HOIST GEARBOX	ROLLER PATH SUPPORTING MEMBERS
COUPLING	(UPPER AND LOWER)
OUTPUT SHAFT OF HOIST GEARBOX	GUDGEON AND EQUALIZER PINS
HOIST GEARBOX GEARS	TRUCK AXLES
HOIST GEARBOX GEAR SHAFTS	TRUCK WHEELS
HOIST GEARBOX INPUT SHAFT	ALL MEMBERS OF TUBULAR BOOMS
GEARBOX INPUT SHAFT TO MOTOR	MAIN CHORD MEMBERS OF STRUCTURAL
COUPLING	SHAPE BOOMS
HOIST AUTOMATIC BRAKE	SHEAVE NEST MEMBERS
BRAKEWHEELS	LUFFING BRIDLE
AS A COMPONENT, ENTIRE HOIST	LUFFING BRIDLE TO BOOM CONNECTIONS
REDUCER	"A" FRAME LEGS AND CONNECTIONS
HOIST MOTOR SHAFT	GANTRY LEG MAIN MEMBERS
ALL HOIST DRIVE TRAIN	EQUALIZER FRAME MAIN MEMBERS
COMPONENTS	TRUCK FRAME MAIN MEMBERS
	INSULATED LINK

## EXAMPLES OF LOAD CONTROLLING PARTS

FOOT CONTROLLED BRAKES  
MASTER CYLINDERS FOR BRAKES  
SLAVE CYLINDERS FOR BRAKES  
ROTATE BULL GEAR  
ROTATE PINION GEAR  
ROTATE PINION GEAR SHAFT  
OUTPUT SHAFT OF ROTATE GEARBOX  
COUPLING OF OUTPUT SHAFT TO PINION SHAFT  
GEARS OF ROTATE GEARBOX  
GEAR SHAFTS OF ROTATE GEARBOXES  
COUPLING OF INPUT SHAFT TO MOTOR SHAFT  
ROTATE ELECTRIC BRAKES  
TRAVEL ELECTRIC BRAKES  
TRAVEL GEAR SHAFTS  
TRAVEL GEAR SHAFT TO MOTOR COUPLING  
TRAVEL GEARS  
MOTOR SHAFT  
BEARING HOUSINGS FOR TRAVEL AND ROTATE  
TRAVEL AND ROTATE DRIVE KEYS  
TRAVEL GEAR GEARBOX COMPONENTS  
TROLLEY, UNDERRUNNING BRIDGE, and MONORAIL END STOPS  
BUMPERS  
ACCUMULATORS AND RAMP ACCUMULATORS WHERE FAILURE COULD CAUSE OVERSTRESS  
AND/OR TIPPING FAILURES  
CRANE MOUNTED DIESEL ENGINES AND GENERATORS (with the exception of those items listed in  
paragraph 4.4.3.c(2))  
CRANE MOUNTED ELECTRICAL POWER DISTRIBUTION (all conductors on a crane that carry current  
to the motors including collector shoes and wheels, and shore power, but not hotel power conductors)  
ELECTRICAL CONTROL CIRCUITS

Note: Electrical circuit designs are too numerous to list. The only electrical circuit components that are to be considered as load controlling are those associated with movement of the load.

## EXAMPLES OF OPERATIONAL SAFETY DEVICES

INTERLOCKS INCLUDING "DEADMAN" TYPE DEVICES  
UPPER HOIST LIMIT SWITCH  
ANTI-TWO-BLOCK WARNING LIMIT SWITCH  
LOWER HOIST LIMIT SWITCH  
LUFFING HOIST LIMIT SWITCH (EXCLUDING HORIZONTAL LIMIT SWITCHES ON CRANES THAT  
DO NOT SUPPORT LOADS WITH BOOMS HORIZONTAL)  
PROXIMITY LIMIT SWITCHES  
ROTATE LIMIT SWITCH (EXCLUDING SPUD LOCK LIMIT SWITCHES)  
TRAVEL LIMIT SWITCH  
EMERGENCY STOP SWITCHES  
LOCKING DEVICES  
OVERLOAD INDICATORS WITH SHUTDOWN CAPABILITY  
RADIUS INDICATOR  
OVERSPEED, PRESSURE, AND TEMPERATURE DEVICES ON CRANE MOUNTED DIESEL ENGINES  
(I.E., PROVIDING POWER TO MOVE THE LOAD) WITH SHUTDOWN CAPABILITY

Note: Operational safety devices do not include switches, gauges, bells, alarms, fuses, etc., on engines, air compressors, circuits, etc., that protect personnel or equipment, but are not activated by the hook load or position.

| Appendix G Reserved for Future Use

| Appendix H Reserved for Future Use.

| Appendix I Reserved for Future Use.

(INTENTIONALLY LEFT BLANK)



APPENDIX J - BASIC PERFORMANCE TEST  
FOR WEIGHT-HANDLING EQUIPMENT OPERATOR LICENSE  
CATEGORY 1 AND 4 CRANES,  
EXCEPT MOBILE BOAT HOISTS AND RUBBER-TIRED GANTRY CRANES

Notes: (1) Prerequisite for this examination is complete familiarity with Standard Hand Signals for Controlling Crane Operations shown in figure 10-1.

(2) Performance test requirements shall be supplemented and modified by each activity for the particular operating characteristics and features of their cranes as well as the unique mission of the activity.

(3) Performance tests for category 4 cranes shall be modified, as necessary, for the type of crane being used.

(4) Notation on Test Forms: A short line is provided before each test item. The examiner shall make a check mark to indicate that the applicant has correctly performed or answered the question. The examiner shall indicate by zero or circle where the applicant fails to perform or answer correctly. The examiner shall provide a short written explanation of all failures. Items that are not applicable shall be marked "NA."

---

---

GENERAL INFORMATION:

TESTING ACTIVITY: \_\_\_\_\_ TEST DATE: \_\_\_\_\_

APPLICANT'S NAME: \_\_\_\_\_

TO BE COMPLETED BY EXAMINER

MAKE AND MODEL OF TEST CRANE: \_\_\_\_\_

TYPE AND CAPACITY (See section 8, paragraph 8.7.3): \_\_\_\_\_

RESULTS: SATISFACTORY \_\_\_\_\_ UNSATISFACTORY \_\_\_\_\_

REMARKS: \_\_\_\_\_

SIGNATURE: \_\_\_\_\_

---

---

## GROUP A - PRE-OPERATION INSPECTION

### 1. PRE-USE CHECK.

Note: The hook should be accessible for inspection.

- \_\_\_\_\_ a. Ensure the crane is currently certified before proceeding.
- \_\_\_\_\_ b. Check the crane for tags or other operational restrictions or warnings.
- \_\_\_\_\_ c. Ensure no repairs are in progress.
- \_\_\_\_\_ d. Ensure no vehicles or objects are in a position where they might be struck by the crane and that no other ground or overhead obstacles and hazards are in the crane parking, travel, and work areas.
- \_\_\_\_\_ e. Perform a pre-use walk around check, a machinery check, and an operator cab check, and document on a Crane Operator's Daily Checklist (ODCL, figure 9-1).
- \_\_\_\_\_ f. Remove wheel chocks, unfasten rail clamps, and remove rail truck spring wedges as required.

### 2. FAMILIARITY WITH LUBRICATION REQUIREMENTS.

- \_\_\_\_\_ a. Check lubricant levels where accessible and identify points that may require lubrication during periods of operation.

## GROUP B - STARTING THE ENGINE

- \_\_\_\_\_ 1. Check the position and disengage the master switch, engine clutch, or hydraulic pump drive as applicable.
- \_\_\_\_\_ 2. Check controller handles and ensure that they are in neutral.

Note: The operator shall explain to the examiner the function of the control handles and of all other pedals, levers, and switches on the crane.

- \_\_\_\_\_ 3. Start the engine in sequence and in the manner prescribed by the OEM.
- \_\_\_\_\_ 4. Observe gauges for correct readings and describe purpose of gauges.
- \_\_\_\_\_ 5. Allow the engine to warm up as appropriate.

Note: Cranes equipped with air or hydraulic controls shall not be operated until gauges show required operating pressure.

| \_\_\_\_\_ 6. Engage the master switch, engine clutch, or hydraulic pump drive as applicable, and watch for uncontrolled movement of the crane, boom, or hook.

\_\_\_\_\_ 7. Continue to warm up the engine as required by the OEM.

Note: The operator shall listen for any indication of improper conditions and shall report these and their significance to the examiner.

### GROUP C - TESTING OPERATING CONTROLS

| \_\_\_\_\_ 1. Close the main switch if applicable.

| \_\_\_\_\_ 2. Perform the operational check portion of the pre-use check and document on the ODCL. If at a location where it is operationally possible to check, the lower limit switch shall be checked.. The applicant and the performance examiner shall sign the ODCL.

\_\_\_\_\_ 3. When direct current is used to operate the test crane, observe ammeters, if any, and state whether or not their readings are proper for the movements made.

### GROUP D - TRAVELING

Note: For self-propelled cranes.

| \_\_\_\_\_ 1. Rotate the boom to center forward or other position as required by OEM for traveling.

| \_\_\_\_\_ 2. Prepare the crane for traveling in accordance with OEM's requirements.

| \_\_\_\_\_ 3. Inform the crane rigger, track walker, or railway brakeman of destination and allow him/her to direct the crane during its travel.

| \_\_\_\_\_ 4. Proceed to the test area.

### GROUP E - OPERATING TESTS

Notes: (1) The following problems assume a full revolving crane. If the crane is a limited-rotation derrick or a mobile crane with restricted rotation due to stability, etc., the examiner shall require that it be rotated in the fullest allowable arc.

(2) If it is a floating crane, it is assumed that the crane is moored alongside a dock or barge in still water with little wave action. If the water is rough during the test, the examiner may make allowances for the unsteadiness of the crane when applying the standards of accuracy set forth in these tests.

(3) The accuracy levels set forth for these tests are meant to be minimum standards. The activity may, based on local mission requirements, impose more stringent standards.

(4) At no stage of testing or operation shall the operator allow cables to become slack enough to become loose on the drums. This is an unacceptable practice and the examiner shall mark this action accordingly.

### PROBLEM 1 - TEST FOR ACCURACY

Place an open container or other suitable target within the operating range of the crane. The target shall be at least half the height of the hook block and approximately 12 inches in diameter larger than the largest dimension of the hook block. The target shall be placed on a type of support that will not keep it from being knocked over when struck by the hook block or any other part of the crane. Adjust the boom angle so that the hook is inward from the target, rotate the crane in a complete circle or to its fullest arc, and, without the help of signals, lower the empty hook block into the target without knocking it over. The operator shall make three attempts. A time limit may be imposed by the examiner.

The following actions are considered unacceptable:

- \_\_\_\_\_ a. Failure to accurately place hook. The operator shall, in at least two out of three attempts, lower the empty hook into the target without knocking it over.
- \_\_\_\_\_ b. Failing to keep safe distances from hazards. The operator shall not cause any part of the crane to come within 10 feet of obstructions.
- \_\_\_\_\_ c. Striking. The operator shall not cause the hook to strike the ground, boom, or any object or person.
- \_\_\_\_\_ d. Rotating abruptly. The operator shall not cause the hook to jerk, seesaw, or wobble while rotating.
- \_\_\_\_\_ e. Rotating too rapidly. The operator shall not rotate the crane so rapidly as to cause excessive throw of the hook by centrifugal force.
- \_\_\_\_\_ f. Contacting limit switches.

### PROBLEM 2 - LIFTING AND HANDLING HEAVY LOADS

Note: When hammerhead cranes are used, trolley motion shall be substituted where boom motions are requested.

The object or test weights to be lifted in this test should weigh between 25 percent and 50 percent of the rated capacity of the crane and shall be placed at an intermediate position between the crane's minimum radius and the maximum radius for that load. If

applicable, the operator, with such assistance as may be needed, shall extend and secure the outriggers. After the load is staged, properly rigged, and attached to the hook, a line shall be drawn around it on the ground six inches out from its edges. One inch shall be added for every ten feet of radius beyond twenty feet. Upon receiving the proper signal, the operator shall lift the weight to clear the ground. Except for emergency signals, no other signal shall be given during this test. The operator shall then boom-out close to maximum operating radius for the load being lifted, boom-in close to minimum radius, rotate the crane one full revolution or its fullest arc, and then set the load inside the boundary line originally drawn around the weight. When approaching the original position, the examiner, rigger, or a qualified assistant may rotate the load with taglines to conform to the drawn outlines, but without guiding the load into the desired position.

The following actions are considered unacceptable:

- \_\_\_\_\_ a. Failure to accurately place the load. The operator shall, in not more than two attempts, place the load inside the marked area.
- \_\_\_\_\_ b. Failing to obtain a firm level position (Mobile cranes only). The operator shall not handle the load until the crane is in a firm and level position and outriggers deployed, if required.
- \_\_\_\_\_ c. Placing the hook inaccurately. The operator shall place the hook within six inches of the attaching point of the load without taking more than two compensating moves before specific assistance of a rigger is required.
- \_\_\_\_\_ d. Hoisting the load prematurely. The operator shall not hoist until the load has been properly secured, the rigger is clear of the load, and the hoist signal is given.
- \_\_\_\_\_ e. Failing to observe improper rigging. The operator shall inform the examiner whenever, in the opinion of the operator, the rigging appears to be improper or unsafe.
- \_\_\_\_\_ f. Delaying hoist action. The operator shall hoist the load promptly when so signaled.
- \_\_\_\_\_ g. Snapping the load. The operator shall take the slack out of the line in a slow controller position before applying the full hoisting power.
- \_\_\_\_\_ h. Failing to test the brake. The operator shall stop hoisting the load when it is a few inches above the ground or deck and apply the brake to make sure that it will hold the load.
- \_\_\_\_\_ i. Failing to preserve stability. The operator shall not boom down to the extent that the position of the load exceeds the safe operating radius of the crane for the load being lifted.

- \_\_\_\_\_ j. Failing to keep safe distances from hazards. The operator shall not cause any part of the crane to come within 10 feet of obstructions.
- \_\_\_\_\_ k. Striking. The operator shall not cause the hook or load to strike the ground, boom, or any object or person.
- \_\_\_\_\_ l. Rotating abruptly. The operator shall not cause the load to jerk, seesaw, or wobble while rotating.
- \_\_\_\_\_ m. Rotating too rapidly. The operator shall not rotate the crane so rapidly as to cause excessive throw of the load by centrifugal force.
- \_\_\_\_\_ n. Endangering Personnel. The operator shall not position the load over personnel and shall sound a warning for them to stay clear of the crane and the load.
- \_\_\_\_\_ o. Exceeding the allowable swing arc. The operator shall not rotate the crane beyond the allowable swing arc for mobile cranes nor contact limit switches for limited arc cranes and derricks.

### PROBLEM 3 - ABILITY TO FOLLOW SIGNALS ACCURATELY

Place a screen or use a bulkhead or building so that the operator cannot see any part of the load or its supporting slings during the operation. The load shall be light enough not to affect the stability or balance of the crane. A competent signal person or rigger shall direct the operator in the following actions:

- (1) Placing the hook so that the rigger can attach the load.
- (2) Lifting the load.
- (3) Placing the load so that the operator must adjust the boom angle and rotate the boom.
- (4) Allowing a rigger to detach the load.
- (5) Lifting the hook clear of the load.

The following actions are considered unacceptable:

- \_\_\_\_\_ a. Moving without signals. When working with the aid of a signal person or rigger, the operator shall not move any part of the crane except in response to signals. The operator may stop the crane without signals if he/she feels the signaled move is unsafe.
- \_\_\_\_\_ b. Responding to signals inaccurately. The operator shall take prompt and appropriate action in response to each signal. If the operator fails to

understand a signal, he/she shall stop the crane until the signal is understood.

- \_\_\_\_\_ c. Responding to "Go" signals abruptly. The operator shall not engage any controller so abruptly as to start any movement with a jerk.
- \_\_\_\_\_ d. Responding to "Stop" signals too slowly. The operator shall not continue any action after being directed to stop.
- \_\_\_\_\_ e. Hoisting the load prematurely. The operator shall not hoist until the rigger is clear of the load and the hoist signal is given.
- \_\_\_\_\_ f. Delaying hoist action. The operator shall hoist the load promptly when so signaled.
- \_\_\_\_\_ g. Snapping the load. The operator shall take the slack out of the line in a slow controller position before applying the full hoisting power.
- | \_\_\_\_\_ h. Rotating abruptly. The operator shall not cause the load to jerk, seesaw, or wobble while rotating the crane.
- | \_\_\_\_\_ i. Rotating too rapidly. The operator shall not rotate the crane so rapidly as to cause excessive throw of the load by centrifugal force.
- \_\_\_\_\_ j. Failing to obtain a firm level position. The operator shall not handle the load until the crane is in a firm and level position (outriggers deployed if required).

#### PROBLEM 4 - LIFTING AND HANDLING ODD-SHAPED OR SHIFTING LOADS

Note: For cranes capable of traveling with loads.

| Over an approximately 200 linear feet course (suitable for the type of crane being used), lift and carry a light to moderate weight load approximately 20 feet long. Pipe, beams, logs, or loose lumber are acceptable. Place the load at the end of the course as directed by the examiner. A ground man or rigger using a tagline to control excessive swing or rotation of the load shall assist the operator.

The following actions are considered unacceptable:

- \_\_\_\_\_ a. Failing to maintain a firm level position. The operator shall not handle or travel with the load unless the crane is in a firm and level position that can be maintained through the travel operation.
- \_\_\_\_\_ b. Hoisting the load prematurely. The operator shall not hoist until the load has been properly secured and the rigger is clear of the load and the hoist signal is given.

- \_\_\_\_\_ c. Failing to observe improper rigging. The operator shall inform the examiner whenever, in the opinion of the operator, the rigging appears to be improper or unsafe.
- \_\_\_\_\_ d. Delaying hoist action. The operator shall hoist the load promptly when so signaled.
- \_\_\_\_\_ e. Snapping the load. The operator shall take the slack out of the line in a slow controller position before applying the full hoisting power.
- | \_\_\_\_\_ f. Failing to test the brake. The operator shall stop hoisting the load when it is a few inches above the ground or deck and apply the brake to make sure that it will hold the load.
- \_\_\_\_\_ g. Failing to preserve stability. The operator shall not boom down to the extent that the position of the load exceeds the safe operating radius of the crane for the load being lifted.
- | \_\_\_\_\_ h. Failing to keep safe distances from hazards. The operator shall not cause any part of the crane to come within 10 feet of obstructions.
- | \_\_\_\_\_ i. Striking. The operator shall not cause the hook or load to strike the ground, boom, or any object or person.
- | \_\_\_\_\_ j. Rotating abruptly. The operator shall not cause the load to jerk, seesaw, or wobble while rotating.
- | \_\_\_\_\_ k. Rotating too rapidly. The operator shall not rotate the crane so rapidly as to cause excessive throw of the load by centrifugal force.
- \_\_\_\_\_ l. Endangering Personnel. The operator shall not position the load over personnel and shall sound a warning for them to stay clear of the crane and the load.
- | \_\_\_\_\_ m. Improper Configuration. The operator shall position the boom only as allowed by the OEM for pick and carry operations. The operator shall engage the spud lock (rotate luck) if required by the OEM.

#### GROUP F - RETURNING, STOPPING AND SECURING THE CRANE

- | \_\_\_\_\_ 1. Travel the crane to the designated parking area.
- | \_\_\_\_\_ 2. Set the boom at approximately 45° angle with the hook block hanging 4 to 8 feet below the boom point sheaves or place the boom in the boom cradle if required.
- | \_\_\_\_\_ 3. Rotate the boom into the proper location to set the house or wind lock.



| \_\_\_\_\_ 4. Set all controllers in neutral, set all drum pawls, and open the master switch. Disengage the engine clutch or hydraulic pump drive as applicable.

| \_\_\_\_\_ 5. Stop the engine as prescribed.

(INTENTIONALLY LEFT BLANK)

APPENDIX K  
BASIC PERFORMANCE TEST  
FOR WEIGHT HANDLING EQUIPMENT OPERATOR LICENSE  
CATEGORY 2 AND CAB OPERATED CATEGORY 3 CRANES

Notes: (1) Prerequisite for this examination is complete familiarity with Standard Hand Signals for Controlling Overhead and Gantry Cranes shown in figure 10-2.

(2) Performance test requirements shall be supplemented and modified by the activity for the particular operating characteristics and features of the cranes as well as the unique mission of the activity.

(3) The performance testing includes evaluation of the operator's ability to follow hand signals. Unacceptable actions include moving without a signal and incorrect response to signals. If the operator will be required to operate without seeing the load, the test shall be modified accordingly. Additional criteria for testing the ability to follow hand signals and blind operation are included in appendix J basic performance test problem #3.

(4) Notation on Test Forms: A short line is provided before each test item. The examiner shall make a check mark to indicate that the applicant has correctly performed or answered the question. The examiner shall indicate by zero or circle where the applicant fails to perform or answer correctly. The examiner shall provide a short written explanation of all failures. Items that are not applicable shall be marked "NA."

---

---

GENERAL INFORMATION:

TESTING ACTIVITY: \_\_\_\_\_ TEST DATE: \_\_\_\_\_

APPLICANT'S NAME: \_\_\_\_\_

TO BE COMPLETED BY EXAMINER

MAKE AND MODEL OF TEST CRANE: \_\_\_\_\_

TYPE OF CONTROLS: \_\_\_\_\_

CAPACITY: \_\_\_\_\_

RESULTS: SATISFACTORY \_\_\_\_\_ UNSATISFACTORY \_\_\_\_\_

REMARKS: \_\_\_\_\_

\_\_\_\_\_  
SIGNATURE: \_\_\_\_\_

## GROUP A - PRE-OPERATION INSPECTION

### 1. PRE-USE CHECK.

- a. Ensure the crane is currently certified before proceeding.
- b. Check the crane for tags or other operational restrictions or warnings.
- c. Ensure no repairs are in progress.
- d. Perform the walk-around, machinery, and operator's cab checks listed on the Operator Daily Checklist (ODCL) and document on the ODCL (figure 9-1).
- e. If accessible, check tracks for obstructions, misalignment, damage, loose connections, and conditions that may impact proper operation.
- f. Check the work area for hazards and obstacles. Request correction before proceeding when necessary.

### 2. FAMILIARITY WITH LUBRICATION REQUIREMENTS.

- a. Check lubricant levels where accessible and identify points that may require lubrication during periods of operation.

## GROUP B - TESTING OPERATING CONTROLS

- 1. Check to assure that all controllers are in the "Off" position.
- 2. Energize the crane.
- 3. If equipped, check the action of deadman switches.
- 4. Test the action of hoist controllers by raising, lowering, and stopping the hook.
- 5. Test the action of travel controllers and brakes by moving the crane back and forth a few feet. Check for proper brake action.
- 6. Test the trolley controllers and brakes by moving the trolley back and forth a few feet. Check for proper brake action.
- 7. Test the limit switches and other safety devices.
- 8. Check the emergency stop, operational safety devices, warning devices and gauges. Notify the examiner of discrepancies.
- 9. Document the operating test portion on the ODCL. The applicant and the performance examiner shall sign the ODCL.

## GROUP C - OPERATING

Notes: (1) The accuracy standards indicated are considered minimum. The activity may impose more stringent standards based upon local or mission requirements.

(2) At no stage of the testing shall the operator allow the wire rope to become slack enough to loosen on the drum. This is an unacceptable practice and the examiner shall mark this action accordingly.

### PROBLEM 1 - TEST FOR ACCURACY

Place an open container or other suitable target within the operating range of the crane and near one corner of the test area. The target should be at least half the height of the hook block and approximately 12 inches in diameter larger than the largest dimension of the hook block. The crane shall be positioned so that the hook is over the diagonally opposite corner of the work area. The operator shall position the hook over the container or target. Simultaneous controller operation, i.e., both bridge and trolley travel, shall be tested as appropriate. The operator shall demonstrate proficiency in placing the hook in the container or at the target location.

Note: The following actions are considered unacceptable:

- \_\_\_\_\_ a. Striking. The operator shall not cause the hook to strike anything.
- \_\_\_\_\_ b. Operating abruptly. The operator shall not cause the hook to swing excessively while operating.
- \_\_\_\_\_ c. Contacting limit switches.

### PROBLEM 2 - LIFTING AND HANDLING HEAVY LOADS

The load to be lifted in this test should weigh between 25 percent and 50 percent of the crane's rated capacity. The operator shall be told to treat the load as a heavy load. Use of a test weight is recommended. After the load is staged, properly rigged, and attached to the hook, a line shall be drawn on the floor 4 inches beyond the perimeter of the load. Upon receiving the proper signal, the operator shall lift the load just above the floor and test the operation of automatic brakes and foot brakes as appropriate. The operator shall be directed to move the load through a predetermined course that tests the operators ability to move the load. The course shall require diagonal movement or multiple controller movements as appropriate. The operator shall then return the load to the marked area. A rigger may assist by rotating the load, but shall not guide the load or direct load movement.

Note: The following actions are considered unacceptable:

- \_\_\_\_\_ a. Failing to keep safe distances. The operator shall not cause any part of the crane or load to pass too closely to obstructions.

- \_\_\_\_\_ b. Striking. The operator shall not cause the load or hook to strike the ground or any object or person.
- \_\_\_\_\_ c. Abrupt movement. The operator shall not cause the load to jerk, seesaw, or wobble due to movements of the crane.
- \_\_\_\_\_ d. Hoisting the load prematurely. The operator shall not hoist until the load has been properly secured, the rigger is clear of the load, and the hoist signal is given.
- \_\_\_\_\_ e. Failing to observe improper rigging. The operator shall inform the examiner whenever, in the opinion of the operator, the rigging appears to be improper or unsafe.
- \_\_\_\_\_ f. Snapping the load. The operator shall remove any slack in the hoist line using a low speed controller position or other appropriate method.
- \_\_\_\_\_ g. Failing to test brakes. Brakes shall be tested immediately after the load is lifted.
- \_\_\_\_\_ h. Endangering personnel. The operator shall not position the load over personnel and shall sound a warning gong or siren and wait for personnel to clear the area.
- \_\_\_\_\_ i. Improperly landing the load. The operator shall demonstrate proficiency in safely and smoothly landing the load within the marked perimeter.

### PROBLEM 3 - LIFTING AND HANDLING ODD-SHAPED OR SHIFTING LOADS

The operator shall lift and carry a light to moderately heavy load approximately 20 feet long over a predetermined course. Pipe, logs, beams, or loose lumber are acceptable. A rigger shall give the operator directions using hand signals and control the load using taglines.

Note: The following actions are considered unacceptable:

- \_\_\_\_\_ a. Placing the hook incorrectly. The operator shall demonstrate proficiency in locating the hook as required for the lift.
- \_\_\_\_\_ b. Hoisting prematurely. The operator shall not hoist until the load has been properly secured, the rigger is clear of the load, and the hoist signal is given.
- \_\_\_\_\_ c. Improper rigging. Failure to identify unsafe rigging.
- \_\_\_\_\_ d. Snapping the load. The operator shall remove any slack in the hoist line using a low speed controller position or other appropriate method.

- \_\_\_\_\_ e. Endangering personnel. The operator shall not position the load over personnel and shall sound a warning gong or siren and wait for personnel to clear the area.
- | \_\_\_\_\_ f. Failing to keep safe distances. The operator shall not cause any part of the crane or load to pass too closely to obstructions.
- | \_\_\_\_\_ g. Striking. The operator shall not cause the load or hook to strike the ground or any object or person. The load shall be safely and smoothly landed as directed.
- | \_\_\_\_\_ h. Swinging abruptly. The operator shall not cause the hook or load to jerk, seesaw, or wobble due to movements of the crane.

#### GROUP D - SECURING THE CRANE

- | \_\_\_\_\_ 1. Travel the crane to the proper storage location.
- | \_\_\_\_\_ 2. Place the hook in the appropriate storage location, normally in its uppermost position, below any upper limit switch, but with sufficient clearance below the upper sheave assembly or trolley/hoist frame so that the subsequent operator performing an ODCL or pre-use check will be able to stop the hoist motion before a two-block event occurs in case the hoist does not operate in the correct direction upon initiation.
- \_\_\_\_\_ 3. Place all controllers in neutral.
- \_\_\_\_\_ 4. Secure the power supply and lock as appropriate.

(INTENTIONALLY LEFT BLANK)



APPENDIX L BASIC PERFORMANCE TEST  
FOR WEIGHT HANDLING EQUIPMENT OPERATOR LICENSE  
MOBILE BOAT HOISTS AND RUBBER-TIRED GANTRY CRANES

Notes: (1) Prerequisite for this examination is complete familiarity with Standard Hand Signals for Controlling Crane Operations shown in figure 10-1.

(3) Performance test requirements shall be supplemented and modified by each activity for the particular operating characteristics and features of their mobile boat hoist or rubber-tired gantry cranes, as well as the unique mission of the activity.

(4) Performance tests may be modified to assess an operator's ability to safely operate a mobile boat hoist used for purposes other than lifting boats in or out of the water. For example, some mobile boat hoists are only used to place crafts on maintenance blocks. Similarly, this test may be modified as needed for rubber-tired gantry cranes.

(5) Notation on Test Forms: A short line is provided before each test item. The examiner shall make a check mark to indicate that the applicant has correctly performed or answered the question. The examiner shall indicate by zero or circle where applicant fails to perform or answer correctly. The examiner shall provide a short written explanation of all failures. Items that are not applicable shall be marked "NA."

---

---

GENERAL INFORMATION:

TESTING ACTIVITY: \_\_\_\_\_ TEST DATE: \_\_\_\_\_

APPLICANT'S NAME: \_\_\_\_\_

TO BE COMPLETED BY EXAMINER

MAKE AND MODEL OF TEST CRANE: \_\_\_\_\_

CAPACITY: \_\_\_\_\_

RESULTS: SATISFACTORY \_\_\_\_\_ UNSATISFACTORY \_\_\_\_\_

REMARKS: \_\_\_\_\_

\_\_\_\_\_

SIGNATURE: \_\_\_\_\_

## GROUP A - PRE-OPERATION INSPECTION

### 1. PRE-USE CHECK.

Note: Hooks should be accessible for inspection.

- | \_\_\_\_\_ a. Ensure the crane is currently certified before proceeding.
- | \_\_\_\_\_ b. Check the crane for tags or other operational restrictions or warnings.
- | \_\_\_\_\_ c. Ensure no repairs are in progress.
- | \_\_\_\_\_ d. Ensure no vehicles or objects are in a position where they might be struck by the crane and that no other ground or overhead obstacles and hazards are in the parking, travel, and work areas.
- | \_\_\_\_\_ e. Perform a walk around check, a machinery check, and an operator cab check, and document on a Crane Operator's Daily Checklist (ODCL, figure 9-1).
- | \_\_\_\_\_ f. Remove wheel chocks or wedges as required.

### 2. FAMILIARITY WITH LUBRICATION REQUIREMENTS.

- \_\_\_\_\_ a. Check lubricant levels where accessible.
- \_\_\_\_\_ b. Identify points that may require lubrication during periods of operation.

## GROUP B - STARTING THE ENGINE

- | \_\_\_\_\_ 1. Check the position and disengage the master clutch or hydraulic pump drive as applicable.
- | \_\_\_\_\_ 2. Check the controller handles and ensure that they are in neutral.

| Note: The operator shall explain to the examiner the function of the control handles and of all other pedals, levers, and switches on the crane.

- | \_\_\_\_\_ 3. Start the engine in the manner prescribed by the OEM.
- | \_\_\_\_\_ 4. Observe gauges for correct readings and describe the purpose of gauges.
- | \_\_\_\_\_ 5. Observe the load indicators for correct readings without loads, if applicable.
- | \_\_\_\_\_ 6. Allow the engine to warm up as appropriate.

Note: Cranes equipped with air or hydraulic controls shall not be operated until gauges show required operating pressure.

\_\_\_\_\_ 7. Engage the master clutch or hydraulic-pump drive as applicable, and watch for uncontrolled movement of the crane.

\_\_\_\_\_ 8. Continue to warm up the engine as required by the OEM.

Note: The operator shall listen for any indication of improper conditions and shall report these and their significance to the examiner.

### GROUP C - TESTING OPERATING CONTROLS

\_\_\_\_\_ 1. Perform the operational check and no load test portion of the pre-use check and document on the ODCL. If operationally possible, the lower-limit switch shall be checked. The applicant and the performance examiner shall sign the ODCL.

### GROUP D - TRAVELING

Note: For self-propelled cranes.

\_\_\_\_\_ 1. Prepare the crane for traveling in accordance with OEM's requirements.

\_\_\_\_\_ 2. Inform the signal person of the destination and allow him/her to direct the crane during its travel.

\_\_\_\_\_ 3. Proceed to the test area.

### GROUP E - OPERATING TEST

Notes: (1) Tests shall be conducted using loads that are 25 to 50 percent of the capacity of the crane, where possible.

(2) Where tests must be done using actual boats or when lifting craft close to the capacity of the mobile boat hoist, additional steps shall be taken to mitigate any risks during the test. This may include positioning additional personnel able to kill power to the mobile boat hoist to stop all motion in the event the operator being tested makes an error that may result in damage or injury. Such tests shall be conducted in a highly controlled environment ensuring the safety of all equipment and personnel.

(3) When lifting boats in and out of the water, conduct the test only in protected waters with little wave action, where possible.

(4) The operator shall follow OEM procedures for keeping equal wraps of wire rope on drums and/or equal tension on hoists at all times. At no stage of

testing or operation shall the operator allow wire rope to become slack enough to become loose on the drums.

### LIFTING AND HANDLING HEAVY LOADS

For a mobile boat hoist, the load used for the test is to be lifted from a staged area, traveled to the designated launch area, and lowered to the water. The operator shall move only upon receiving the proper signals from the signal person. The performance examiner shall give direction to the signal person. The load shall be hoisted to a sufficient height ensuring balanced loading before traveling. When lowering the load to the water, as the load comes in contact with the water and before any slings become slack, the signalman shall stop the operator and signal the operator to hoist the load. The load shall be hoisted to a sufficient height and traveled back to the starting point where it will be placed in the staging area. Test the operator's ability to maneuver the mobile boat hoist by predetermining a course that will require some steering. A similar travel test shall be performed for a rubber-tired gantry crane

- \_\_\_\_\_ a. Moving without signals. The operator shall not move any part of the crane except in response to signals. The operator may stop without signals if he/she feels the signaled move is unsafe.
- \_\_\_\_\_ b. Responding to signals inaccurately. The operator shall take prompt and appropriate action in response to each signal. If the operator fails to understand a signal, he/she shall stop the crane until the signal is understood.
- \_\_\_\_\_ c. Failing to observe improper rigging. The operator shall inform the examiner whenever, in the opinion of the operator, the rigging appears to be improper or unsafe.
- \_\_\_\_\_ d. Hoisting the load prematurely. The operator shall not hoist until the load has been properly secured, the rigger is clear of the load, and the hoist signal is given.
- \_\_\_\_\_ e. Snapping the load. The operator shall take the slack out of the line in a slow controller position before applying the full hoisting power.
- \_\_\_\_\_ f. Failing to test the brake. The operator shall stop hoisting the load when it is a few inches above the ground or deck to make sure that the brake will hold the load.
- \_\_\_\_\_ g. Failing to raise the hoists equally and/or failing to check load indicators to ensure they indicate equal loading of the hoists.
- \_\_\_\_\_ h. Failing to keep safe distances from hazards. The operator shall not cause any part of the crane to come within 10 feet of obstructions.

- | \_\_\_\_\_ i. Striking. The operator shall not cause the hook or load to strike the ground, boom, or any object or person.
- | \_\_\_\_\_ j. Endangering Personnel. The operator shall not position the load over personnel or allow personnel to ride the load. The operator shall sound a warning for them to stay clear of the mobile boat hoist and the load.
- | \_\_\_\_\_ k. Responding to "Go" signals abruptly. The operator shall not engage any controller so abruptly as to start any movement with a jerk.
- | \_\_\_\_\_ l. Responding to "Stop" signals too slowly. The operator shall not continue any action after being directed to stop.

GROUP F - RETURNING, STOPPING AND SECURING THE MOBILE BOAT HOIST

- | \_\_\_\_\_ 1. Travel the crane to the designated parking area.
- | \_\_\_\_\_ 2. Raise the hook(s) and lifting beams to the stowed position or height.
- | \_\_\_\_\_ 3. Place all controllers in neutral, set the brakes; disengage the master clutch or hydraulic pump drive, as applicable.
- | \_\_\_\_\_ 4. Stop the engine as prescribed by the OEM.
- | \_\_\_\_\_ 5. Set the wheel chocks where required.

(INTENTIONALLY LEFT BLANK)

## APPENDIX M - PROCEDURES FOR THIRD PARTY CERTIFICATION BY THE NAVY CRANE CENTER

Note: These procedures are for Navy-owned cranes, derricks, container spreaders, and below-the-hook lifting devices. Non-Navy-owned equipment (including rented, leased, and contractor owned and operated cranes, derricks, and other devices) requiring TPC shall be certified to OSHA standards by a private OSHA accredited certification agency.

1. Cranes and Derricks. As prescribed in section 4, cranes and derricks used in cargo transfer and floating cranes and floating derricks (including barge-mounted mobile cranes) used in shipbuilding, ship repair, and shipbreaking are required by OSHA to be certified by an OSHA accredited certification agency. Certification requirements are addressed in 29 CFR 1915, 29 CFR 1917, 29 CFR 1918, and 29 CFR 1919. OSHA has recognized this publication as an alternate standard to those certification requirements for Navy-owned cranes and derricks provided the certification is performed by the Navy Crane Center. It is Navy policy that this publication shall be used in lieu of the above noted CFRs as the standard for certification of Navy owned cranes and derricks used in the above noted operations. Therefore, all applicable Navy-owned cranes and derricks shall be certified by a representative of the Navy Crane Center. This is in addition to the certification by the local certifying official required by this publication.

In addition to annual TPC, a TPC is required whenever an interim recertification that requires a load test is required per section 4.

1.1 Procedures. A certification will be granted by the Navy Crane Center "signatory authority" upon successful completion of the following:

a. Documentation Review. The signatory authority will ensure that documentation prescribed by this publication is complete, current, and correct. For floating cranes (including mobile cranes mounted on barges), the material inspection report for the barge shall be current and indicate the barge is fit for further service per OPNAVINST 4780.6. The signatory authority will review documentation of the current ROH and any approved ROH deferrals, and ensure the requirements or conditions of the deferral have been met.

b. Condition Inspection. The signatory authority will perform a condition inspection and complete the applicable portions of figure 4-3 (Crane Condition Inspection Record).

c. Load Test. The signatory authority will witness the activity's load test.

(1) To accommodate an activity's extension of the annual certification for emergent work, an operational test with partial (e.g., 25 percent of capacity) load shall be performed in lieu of the load test noted above.

1.2 Certification. Upon successful completion of the procedures in paragraph 1.1, and upon certification by the activity certifying official, a Certificate of Unit Test and/or Examination of Crane, Derrick, or Other Material Handling Device, figure M-1, will be issued by the signatory authority. This certificate shall be posted in the operator's cab. A copy of the certificate shall be filed in the equipment history file for the crane or derrick. In addition to retaining a copy of the certificate, the signatory authority shall forward copies to Navy Crane Center headquarters. For certifications performed to support the activity's certification extension, item 5 (Test Loads) will be left blank; the "tested and examined" option of line 7 will be lined out; and the test loads used for the operational test will be noted on line 6. The accuracy of the load indicating device (if fitted) shall be checked with the test load used. In addition, indicate on line 6 that this certification will expire when the activity's certification extension expires.

1.3 Deficiencies Precluding Certification. Should the signatory authority find deficiencies that preclude third party certification and the deficiencies can not be corrected immediately, a Notice to Owner of Deficiencies Found on Certification Survey, figure M-2, will be issued. This notice shall be posted in the operator's cab until the crane or derrick is certified by the signatory authority. In addition to retaining a copy of the notice, the signatory authority shall forward copies to Navy Crane Center headquarters.

2. Container Spreaders and Below the Hook Lifting Devices Used in Cargo Transfer. This is a one-time TPC, unless the spreader or device undergoes a repair that requires a load test; in that case another TPC will be required. The signatory authority will thoroughly inspect the entire assembly and review any associated documentation (design drawings, material lists, etc.). Upon satisfactory inspection, the signatory authority will witness a load test at 125 percent of the rated load of the assembly and perform an additional inspection after the load test. Proof of load test by the OEM is acceptable in lieu of a load test by the activity. Upon successful completion of these procedures, a signed certificate (figure M-1) will be provided to the activity. The certificate shall be retained in the file for the particular device.





# NAVFAC

Naval Facilities Engineering Command

NAVY CRANE CENTER

## Certificate of Unit Test and/or Examination of Crane, Derrick, or Other Material Handling Device

This certificate may be issued only by persons specifically approved by the Navy Crane Center to comply with the Navy's Alternate Standard for Certification of Weight Handling Equipment. NAVFAC P-307 has been approved by the U.S. Department of Labor, Occupational Safety and Health Administration, as an alternate means of compliance with the provisions of 29 CFR Part 1919.

Certificate No.: \_\_\_\_\_

1. Owner: \_\_\_\_\_

2. Description (check): Crane  Derrick  Other (describe) \_\_\_\_\_

Location: (a) Remains at worksite  (b) Changes worksite  (c) Aboard vessel

If (a) or (c), describe: \_\_\_\_\_

If crane, type (truck, rail, etc.): \_\_\_\_\_

Manufacturer: \_\_\_\_\_ Model: \_\_\_\_\_ Serial No.: \_\_\_\_\_

If derrick, describe: \_\_\_\_\_

Owner's identification, if any: \_\_\_\_\_

3. Service status at time of survey (check): Lifting  Clamshell  Magnet

Other, Describe: \_\_\_\_\_

4. Boom at time of survey (except bridge cranes): Length \_\_\_\_\_ Type \_\_\_\_\_

5. Test loads applied (cross out if only examination conducted):

Radius	Proof Loads (TEST LOAD)	Rated Loads
_____	_____	_____
_____	_____	_____
_____	_____	_____
_____	_____	_____
_____	_____	_____
_____	_____	_____

Means of application of proof load: \_\_\_\_\_

Basis for assigned load ratings: \_\_\_\_\_

6. Remarks and/or limitations imposed: \_\_\_\_\_

7. Load indicating or limiting device (check): Fitted  Not fitted  Accuracy per \_\_\_\_\_

I certify that on the \_\_\_\_\_ day of \_\_\_\_\_, 20\_\_\_\_, the above described device was (  tested and examined ) (  examined ) by the undersigned or his/her authorized representative; that said (  test and examination ) (  examination ) met in all respects with the requirements of NAVFAC P-307, an OSHA approved alternate standard for compliance with the provisions of 29 CFR Part 1919; any deficiencies considered to constitute an unsatisfactory condition have been corrected; and that the device has been found to be in compliance in all applicable respects with the governing requirements.

Name and address of accredited or otherwise authorized organization making the test and/or examination: Navy Crane Center, Bldg 491 NNSY, Portsmouth, VA 23709.

Name and address of authorized person carrying out the test and/or examination: \_\_\_\_\_

Position of signatory in the organization making the test and/or examination: \_\_\_\_\_

Distribution:

Original - Owner (post in operator cab)

Signature: \_\_\_\_\_

Copies to - Owner (equipment history file)

Date: \_\_\_\_\_

Certifier

Navy Crane Center

Figure M-1



**Notice to Owner of Deficiencies Found on Certification Survey**

This notice may be issued only by persons specifically approved by the Navy Crane Center to comply with the Navy's Alternate Standard for Certification of Weight Handling Equipment. NAVFAC P-307 has been approved by the U.S. Department of Labor, Occupational Safety and Health Administration, as an alternate means of compliance with the provisions of 29 CFR Part 1919.

1. Owner: \_\_\_\_\_

2. Identification, location, and specific description of equipment: \_\_\_\_\_

3. The undersigned, being authorized to do so, hereby tenders notification of the following listed uncorrected deficiencies, found upon (test and examination) (examination) of the described equipment in accordance with the requirements of NAVFAC P-307, to constitute in the opinion of the undersigned a currently unsatisfactory condition.

\_\_\_\_\_

\_\_\_\_\_

\_\_\_\_\_

\_\_\_\_\_

\_\_\_\_\_

\_\_\_\_\_

\_\_\_\_\_

\_\_\_\_\_

\_\_\_\_\_

4. Under the applicable requirements of NAVFAC P-307, an OSHA approved alternate standard for compliance with the provisions of 29 CFR Part 1919; the issuance of any certificate of (test and examination) (examination) is prohibited until such time as correction of deficiencies has been verified by the undersigned.

5. Name and address of accredited or otherwise authorized organization making the test and/or examination: Navy Crane Center, Bldg 491 NNSY, Portsmouth, VA 23709.

6. Name and address of authorized person carrying out the test and/or examination: \_\_\_\_\_

7. Position of signatory in the organization making the test and/or examination: \_\_\_\_\_

Distribution:

Original - Owner (post in operator cab)  
Copies to - Certifier

Signature: \_\_\_\_\_

Date: \_\_\_\_\_

Navy Crane Center

Figure M-2

## APPENDIX N - PERSONNEL COMPETENCIES

1. The following personnel who perform functions addressed in this publication shall demonstrate (to the satisfaction of a knowledgeable supervisor, manager, or designated activity representative) adequate knowledge and/or skill in the areas listed below. If an assessment of an employee's competencies or performance indicates the need for remediation, the employee shall be required to be retrained as warranted based on the supervisor's assessment. This may involve retaking the initial or refresher version or other training as determined by management and re-evaluated on the below items. Licensed crane operator qualification and performance requirements items are located in section 8 and appendices J, K, and L.

### 1.1 Maintenance Personnel (Mechanics and Electricians)

- a. Proper use and care of precision instruments and recording of measurements.
- b. Lockout/tagout procedures.
- c. Maintenance requirements for components (e.g., brakes, clutches, drive trains, motors, controls) integral to the operation of WHE within the person's technical discipline.
- d. For mechanics, basic electrical safety; for electricians, electrical safety and familiarity with the National Electrical Code (NEC).
- e. Proper fastening and lubricating techniques.

### 1.2 Inspector

- a. Requirements of sections 3, 4, and 5, and appendices C, D, and E of this publication.
- b. For mechanical inspectors, inspection requirements for crane structure, brakes, clutches, drive trains, wire rope, and other mechanical components integral to the operation of WHE.
- c. For electrical inspectors, NEC requirements, as well as inspection requirements for electrical motors, motor control circuits, and other electrical components integral to the operation of WHE.
- d. Proper use and care of precision instruments and recording of measurements.
- e. Lockout/tagout procedures.

### 1.3 Load Test Director

- a. Requirements of section 4 and appendices C, D, and E of this publication.

- b. Proper use and care of precision instruments and recording of measurements.
- c. Lockout/tagout procedures.
- d. Calculation of weight for load tests.
- e. General knowledge of the operational characteristics of the WHE and components being tested.
- f. Ability to interpret OEM load charts.
- g. Limits of stability of the WHE being tested.
- h. Proper crane communications, i.e., hand signals (See figures 10-1 and 10-2), radio communications, etc.

1.4 Operator of Non-Cab Operated Category 3 WHE. (For the specific type of equipment being operated and the types of lifts the operator will be required to make.)

- a. Operation of the equipment.
- b. Determining the weights of loads.
- c. Determining the center of gravity of loads.
- d. Planning the crane/load movement path and checking for clearances.
- e. Selecting and properly using appropriate rigging equipment.
- f. Basic knots, bends, and hitches, and their use.
- g. Performing necessary calculations to determine the allowable capacity of rigging configurations.
- h. Selecting appropriate attachment points on loads to be lifted.
- i. Performing prior-to-use visual inspections of rigging equipment.
- j. Performing prior-to-use checks and operation of WHE being operated.
- k. Directing other personnel assisting in the lift.
- l. Accident and equipment deficiency problem recognition and reporting procedures.
- m. Proper crane communications, i.e., hand signals (see figures 10-1 and 10-2), radio communications, etc.

## 1.5 Rigger

- a. Determining the weights of loads.
- b. Determining the center of gravity of loads.
- c. Planning the crane/load path and checking for clearances.
- d. Selecting and properly using appropriate rigging equipment.
- e. Basic knots, bends, and hitches and their use.
- f. Performing necessary calculations to determine the allowable capacity of rigging configurations.
- g. Selecting appropriate attachment points on loads to be lifted.
- h. Performing prior-to-use visual inspections of rigging equipment.
- i. Signal person functions as noted below, including construction signal person as appropriate.
- j. Coordinating activities of other personnel assisting in the lift (when designated as RIC).
- k. General knowledge of mobile crane configuration variations and load chart limitations.
- l. The requirements of section 10 (as applicable to riggers) and section 14 of this publication.
- m. Rail switch alignment requirements (as applicable).
- n. Requirements for inspecting the crane travel path.
- o. Proper tagline handling methods

## 1.6 Crane Walker

- a. Methods for initiating emergency stop actions and an understanding of when such actions are appropriate.
- b. Rail switch alignment requirements.
- c. Requirements for inspecting the crane travel path.

## 1.7 Crane Signal Person

- a. Proper crane communications, i.e., hand signals (see figures 10-1 and 10-2), radio communications, etc.
- b. Methods for initiating emergency stop actions and an understanding of when such actions are appropriate.

In addition to the above, signal persons used in construction operations, including riggers and designated spotters shall be qualified by an activity's qualified evaluator. Qualification shall be documented and shall specify each type of signaling for which the signal person is qualified.

Each signal person, including riggers giving signals:

- (1) Shall know, understand, and be competent in the types of signals used.
- (2) Have a basic understanding of equipment operation and limitations, including the crane dynamics involved in swinging and stopping loads and boom deflection from hoisting loads.
- (3) Know and understand the relevant requirements for radio, telephone, or other electronic transmission of signals as applicable.
- (4) Demonstrate to the evaluator that he/she meets the above noted requirements through an oral or written test, and through a practical test.

## 2. Supervisors

2.1 Operator Supervisors. Crane operator supervisors shall demonstrate adequate knowledge in the following areas:

- a. Conducting pre-job briefings.
- b. Assessing personnel qualifications to operate specific cranes and how to determine that those qualifications are current.
- c. Familiarity with safe operating practices, including the requirements of section 10 of this publication.

2.2 Rigger Supervisors. Rigger Supervisors (for weight handling evolutions) shall demonstrate adequate knowledge in the following areas:

- a. Conducting pre-job briefings.
- b. Assessing personnel qualifications to perform specific operations and how to determine that those qualifications are current.

c. Knowledge and abilities noted for Rigger in paragraph 1.5, including the requirements of sections 10 and 14 of this publication.

2.3 Maintenance Mechanic/Electrician, Inspector, and Load Test Director Supervisors. Supervisors shall demonstrate adequate knowledge in the following areas:

a. Conducting pre-job briefings.

b. Assessing personnel qualifications to perform specific operations and how to determine that those qualifications are current.

c. Familiarity with the applicable requirements of this publication.

3. Engineers. Engineers performing work in support of WHE shall:

a. Be technically competent in their particular engineering discipline.

b. For crane engineers, be knowledgeable of the design fundamentals of WHE and NAVCRANECENINST 11450.2, and the requirements of sections 3 through 6 and appendices C through F and O of this publication.

c. For rigging engineers, be knowledgeable of ASME B30.9, B30.10, B30.20, and B30.26, military and federal standards for rigging gear, and sections 10 and 14 of this publication.

4. Certifying Officials. Certifying officials shall demonstrate adequate knowledge in the application of the requirements of this publication for inspection, maintenance, testing, and certification of WHE.

5. Weight Handling Program Manager. The weight handling program manager shall demonstrate adequate knowledge of the requirements of this publication; the ability to direct a monitor program and establish program metrics; and the ability to use monitor program results and metrics to develop effective program self-assessments and corrective actions.

(INTENTIONALLY LEFT BLANK)



APPENDIX O  
NAVY CRANE CENTER ENGINEERING POLICIES AND  
GUIDANCE FOR CRANE ALTERATION REQUESTS (CAR)

1. The Navy Crane Center will review CARs identified as urgent by the activity on a highest priority basis.
2. The scope of Navy Crane Center reviews will be limited to the specific subject of the submitted request. When a peripheral non-compliance or unsafe condition is noted, Navy Crane Center may address it as an advisory or mandatory comment to the activity.
3. Appropriate activity industrial process instructions will be accepted where applicable.
4. Fatigue shall be analytically addressed in requests dealing with new shafts or other components subject to fatigue. For shafts, the analysis shall be performed in accordance with ANSI/AGMA 6001-D97.
5. CARs addressing shaft misalignment shall show parallel and angular alignment measurements and measurement techniques to be utilized for the measurements. The coupling OEM's initial, running, and ultimate alignment tolerances shall also be shown, as well as details of alignment securing features such as shear bars, pins, bolts, etc.
6. CARs addressing components that experience lateral or shear loads designed to be resisted by shear bars shall include calculations and installation procedures demonstrating design assumptions are satisfied.
7. CARs are not required and should not be submitted for complex lift procedures and maintenance operations.
8. CARs intended for application to a number of cranes shall designate those cranes by their unique identification numbers in addition to capacity/type and OEM. Designations such as "general" and "various" shall not be used.
9. When a discrepancy between the design and the as-built condition for a load bearing or load controlling part or an operational safety device is discovered, the activity engineering organization and the Navy Crane Center shall first evaluate the condition. If the decision is to retain the as-built condition, a CAR titled "Documentation (as-built variance)" is required. If the design is determined correct and the decision is to reconfigure the crane to the designed condition, no CAR is required.
10. Navy Crane Center reviews locally approved CARs submitted for information. These CARs will be processed as follows:
  - a. Locally approved CARs with significant errors or deficiencies will be over-stamped "Returned with Comments" and returned. Any further action on returned CARs will be at the discretion of the local activity. If a corrected/revised CAR is resubmitted, it should be identified by revision letter "A" or the next sequential letter after the previous revision.
  - b. Navy Crane Center use of the "Reclassified" designation will be limited to those CARs that, according to section 6, were improperly locally approved.

11. For microprocessor controlled cranes, mandatory alterations will not be issued until the initiating activity (or their delegated alternate) proves the software and/or hardware change by utilizing the crane in service for a minimum of three months. Exceptions will be evaluated on a case basis.

12. Additional guidance and examples related to adjustments governed by paragraph 6.4.4. There are too many components on a crane to provide an all-inclusive list. Examples, other than brakes, are:

a. Adjusting the set point of limit switches is not an alteration provided their functionality is not changed. However, changing a line of computer code is an alteration.

b. Adjustments to hoist clutches are alterations for Navy Crane Center approval, unless the adjustment is within the crane OEM provided range/tolerance.

c. Adjustments to properly align gears and couplings are not alterations.

d. Adjustments to bearing preload or clearance within bearing OEM ranges are not alterations.

e. Adjustments to diesel engines within diesel engine OEM ranges are not alterations.

f. Adjustments to electrical overloads and electrical protective devices are alterations for Navy Crane Center approval, unless the adjustment is within the crane OEM range.

g. Adjustments to hydraulic pressure relief valves are alterations for Navy Crane Center approval, unless the adjustment is within the crane OEM range.

h. Adjustments to load shutdown devices outside of OEM prescribed ranges/tolerances are alterations for Navy Crane Center approval, with the exception of temporary adjustments for the purpose of load testing.

13. CARs are not required when the certified capacity of a mobile crane is changed due to changes in reeving, or reduced testing values due to size of test loads, or reduced available line pull (appendix E, paragraph 5.5.2.1). This information shall be entered on the crane's Certification of Load Test and Condition Inspection. Also a CAR is not required when all capacities are not utilized (e.g., mid-extend outrigger/stabilizer, over-the-rear, over-the-front, on-rubber, etc.). Local CARs are required to change the capacity of a mobile crane for ORM, environmental conditions, or operational efficiency.

14. Relocating a crane, hoist or hoist/trolley from one location or crane to another location (not on the same rail) and/or crane is considered an alteration (except for cranes relocated within the same activity in accordance with section 4, paragraph 4.5.6) for NCC approval to the crane and the hoist or hoist/trolley. Relocated cranes, hoists, and hoist/trolleys shall comply with NAVCRANECENINST 11450.2 or standing crane alteration for hoist replacement requirements with allowances as provided on the Navy Crane Center approved CAR.

15. Properly constructed and rated retread tires (see requirements in NAVFAC P-300) that have the same load rating as the original tires, and comply with NAVFAC P-300, are acceptable for use and are not considered crane alterations. Retreads not complying with the above shall be handled as CARs.

16. To be considered certifiable to this publication, WHE shall comply with the industry consensus standards on design and safety in effect at the time of manufacture (e.g., ASME B30 series, ASME HST series, or other national consensus standards). WHE should also comply with Navy/Military design standards in effect for that equipment at the time of the WHE's manufacture (e.g. DM-38, MIL-HDBK-1038, UFC 3-320-7N, UFGS's, NAVCRANECENINST 11450.2, Standing Crane Alteration). WHE procured prior to advent of applicable standards and requirements may be left in service provided the WHE continues to operate satisfactorily and there is no evidence of distress. New crane procurements shall comply with the procurement requirements set forth in NAVCRANECENINST 11450.1.

17. Copies of CAR forms, standing crane alterations, and mandatory alterations are available from Navy Crane Center.

(INTENTIONALLY LEFT BLANK)

**APPENDIX P – CONTRACTOR CRANE (OR ALTERNATE MACHINE USED TO LIFT SUSPENDED LOADS) AND RIGGING GEAR REQUIREMENTS**

<b>CERTIFICATE OF COMPLIANCE</b>	
This certificate shall be signed by an official of the company that provides cranes (or multi-purpose machines, MHE, or construction equipment used to lift loads suspended by rigging gear) or rigging gear for any application under this contract. Post a completed certificate on each crane or alternate machine (or in the contractor's on-site office for rigging operations) brought onto Navy property.	
CONTRACTING OFFICER'S POINT OF CONTACT (Government Representative)	PHONE
PRIME CONTRACTOR/PHONE	CONTRACT NUMBER
CRANE OR ALTERNATE MACHINE SUPPLIER/PHONE (if different from prime contractor)	CRANE OR ALTERNATE MACHINE NUMBER (i.e., ID number)
CRANE OR ALTERNATE MACHINE MANUFACTURER/TYPE/CAPACITY	
CRANE OR ALTERNATE MACHINE OPERATOR'S NAME(S)	
<p>I certify that</p> <ol style="list-style-type: none"> <li>1. The above noted crane or alternate machine and all rigging gear conform to applicable OSHA regulations (host nation regulations for naval activities in foreign countries) and applicable ASME B30 or other standards. The following OSHA regulations and ASME or other standards apply: _____</li> <li>2. The operators noted above have been trained and are qualified for the operation of the above noted crane(s) or alternate machine(s).</li> <li>3. All safety devices and operator aids are enabled and functioning properly and the operators noted above have been trained not to bypass safety devices and operator aids during lifting operations.</li> <li>4. The operators, riggers and company officials are aware of the actions required in the event of an accident as specified in the contract.</li> <li>5. Signal persons used in construction work are qualified in accordance with 29 CFR 1926.1428.</li> <li>6. Riggers are qualified in accordance with NAVFAC P-307, paragraph 11.1.k.</li> <li>7. All personnel working on the job site have been trained to not stand under a load or in the fall zone of a suspended load unless specifically allowed by USACE EM 385-1-1.</li> </ol>	
COMPANY OFFICIAL SIGNATURE	DATE
COMPANY OFFICIAL NAME/TITLE	
<b>POST ON CRANE (OR ALTERNATE MACHINE)</b> (IN CAB OR VEHICLE) (or in the contractor's on-site office for rigging operations)	

Figure P-1

<b>CONTRACTOR CRANE OR RIGGING OPERATION CHECKLIST</b>				
		YES	NO	N/A
1	Is the Certificate of Compliance, P-1, in the operator's cab (or in the contractor's on-site office for rigging operations) with the current operator's name listed?			
2	Is the crane/machine transited to and from the job site correctly? Are the OEM instructions for travel being followed?			
3	Does the operator know the weight of the load to be lifted?			
4	Is the load to be lifted within the crane/machine manufacturer's rated capacity in its present configuration?			
5	Are outriggers/stabilizers required and, if so, are they properly extended and down?			
6	If outrigger/stabilizers are used, and the wheels are not off the ground is this the correct setup in accordance with the OEM?			
7	Is the crane/machine level and on firm ground, or if the ground is not firm are adequate supporting materials provided?			
8	If supporting materials are provided, is the entire surface of the outrigger/stabilizer pad supported and is the supporting material of sufficient strength to safely support the loaded outrigger/stabilizer pad?			
9	If outriggers/stabilizers are not used, is the crane/machine rated for on-rubber lifts by the OEM's load chart?			
10	Is the swing radius of the crane counterweight clear of people and obstructions and are accessible areas within the swing area barricaded to prevent injury or damage?			
11	Has the hook been centered over the load in such a manner to minimize swing?			
12	Is the load well secured and balanced in the sling or lifting device after it is lifted a few inches for verification?			
13	Is the lift and rotation path clear of obstructions?			
14	If rotation of the load being lifted is hazardous, is a tagline or other restraint being used?			
15	Are personnel prevented from standing or passing under a suspended load?			
16	Is the operator paying full attention to the signal person?			
17	Are proper signals being used? Is the operator responding properly to the signals? Are radios used for blind lifts?			
18	Are empty hooks lashed or otherwise secured during travel to prevent swinging?			
19	Does the operator remain at the controls while the load is suspended?			
20	Does the operator ensure that side loading is prohibited?			
21	Are personnel prevented from riding on a load?			
22	Are start and stop motions in a smooth fluid motion (no sudden acceleration or deceleration)?			
23	Is the lift a critical lift?			
24	If so, is a lift plan provided and understood and check-off sheets initialed and signed off?			
25	If overhead power lines are in the vicinity, is a critical lift plan provided addressing the requirements of 29 CFR 1926.1407-1411?			
26	If pick and carry operations are allowed and performed, are OEM directions followed (e.g. rotation lock engaged, boom centered over front or rear, etc.)?			
27	When the crane/machine is left unattended, is it in a safe condition?			
28	Is rigging gear undamaged and acceptable for the application?			

Figure P-2 (1 of 2)

		YES	NO	N/A
29	Does rigging gear meet applicable ASME or host nation standards (e.g., ASME B30.9 for slings, B30.10 for hooks, B30.26 for rigging hardware such as shackles, safety hoist rings, and eyebolts, B30.20 for below the hook lifting devices)?			
30	Was the rigging gear inspected prior to use?			
31	Is sling protection used to protect slings (especially synthetic slings) and equipment from damage due to abrasion and sharp corners and edges?			
32	Is the rigging gear used in accordance with its working load limit? Is the working load limit marked on the rigging gear?			
33	Are positive latching devices (or "mousing") used on crane and rigging hooks?			
34	If a mobile crane is used on a barge, are all rules of 29 CFR 1926.1437(construction) being followed?			
35	If a mobile crane is used on a barge are the outriggers/stabilizers blocked or are the crawlers traveling in a defined space as allowed by 29 CFR 1926.1437 (construction)?			
36	For floating cranes, are rules of 29 CFR 1915 (ship repair) or 29 CFR 1926.1437 (construction) being followed?			
37	If a multi-purpose machine, forklift, or construction equipment is being used, is there proof from the OEM (or qualified PE) that the machine is approved for suspended load lifting and is there a load chart?			
38	If a personnel lift is being performed with a crane or base mounted hoist, are all requirements of NAVFAC P-307, paragraph 11.1.g(5) for a crane or 11.1.m for a base mounted hoist being followed?			
Contractor:		Subcontractor:		
Location:			Date:	
Notes:				
Signature of Government Representative:				

Figure P-2 (2 of 2)

(INTENTIONALLY LEFT BLANK)



## APPENDIX Q - REFERENCES

Note: When referring to the following criteria, the latest edition or revision shall apply.

1. Unified Facilities Criteria (UFC) 3-320-07N, *Weight Handling Equipment*; UFC 3-430-07, *Operations and Maintenance: Inspection and Certification of Boilers and Unfired Pressure Vessels*; UFC 4-152-01, *Design of Piers and Wharves*, Department of Defense, Washington, DC;
2. SECNAV Instruction 11260.2, *Navy Weight Handling Program for Shore Activities*, Department of the Navy, Office of the Secretary, Washington, DC
3. OPNAV Instruction 3500.39, *Operational Risk Management*; OPNAV Instruction 4460.1, *Management of Material Handling Equipment (MHE) and Shipboard Mobile Support Equipment (SMSE) in Navy*; OPNAV Instruction 4780.6, *Policy for Administering Service Craft and Boats in the U.S. Navy*; OPNAV Instruction 4790.4, *Ships' Maintenance and Material Management System Policy*; OPNAV Instruction 5100.23, *Navy Occupational Safety and Health (NAVOSH) Program*; OPNAV Instruction 5102.1, *Navy and Marine Corps Mishap and Safety Investigation Reporting and Record Keeping Manual*, Department of the Navy, Office of the Chief of Naval Operations, Washington, DC
4. NAVFAC Instruction 11230.1, *Inspection, Certification, and Audit of Crane and Railroad Trackage*; NAVFAC P-300, *Management of Transportation Equipment*; NAVFAC MO-118, *Inspection of Vertical Transportation Equipment*, Department of the Navy, Naval Facilities Engineering Command, Washington, DC
5. MIL-STD-1625, *Safety Certification Program for Drydocking Facilities and Shipbuilding Ways for U. S. Navy Ships*; MIL-STD-2035, *Nondestructive Testing Acceptance Criteria*; NAVSEA 04 Crane Quality Manual; NAVSEA 0989-018-1000, *Manual for the Control of Refueling*; NAVSEA 0989-030-7000, *Lifting Standard*; NAVSEA 0P 5, Volume 1, *Ammunition and Explosives Ashore: Safety Regulations for Handling, Storing, Production, Renovation and Shipping*; NAVSEA 0P 3565, *Electromagnetic Radiation Hazards (Hazards to Ordnance)*; NAVSEA Technical Manual SW023-AH-WHM-010, *Handling Ammunition and Explosives with Industrial Materials Handling Equipment (MHE)*; NAVSEA Technical Publication T9074-AS-GIB-010/271, *Requirements for Nondestructive Testing Methods*; Naval Ships' Technical Manual S9086-UU-STM-010, Chapter 613: *Wire and Fiber Rope and Rigging*, Department of the Navy, Naval Sea Systems Command, Washington, DC
6. NAVAIR 00-80T-119, *Weight Handling Support Equipment Manual*, Department of the Navy, Naval Air Systems Command, Patuxent River, MD
7. NAVSUP Publication 538, *Materials Handling Equipment Maintenance Manual*, Department of the Navy, Naval Supply Systems Command, Mechanicsburg, PA
8. NAVCRANECENINST 11200.33, *Weight Handling Equipment Audits, Validations, and Third Party Certifications, Preparation for*; NAVCRANECENINST 11450.1,

*Acquisition of Navy Shore Based Weight Handling Equipment*, NAVCRANECENINST 11450.2, *Design of Navy Shore Based Weight Handling Equipment*, Department of the Navy, Naval Facilities Engineering Command, Navy Crane Center, Portsmouth, VA

9. NMCPHC-TM OM 6260, *Medical Surveillance Procedures Manual and Medical Matrix*, Navy and Marine Corps Public Health Center, Portsmouth, VA

10. EM 385-1-1, *Safety and Health Requirements Manual*, Department of the Army, U.S. Army Corps of Engineers, Washington, DC

11. Federal Specification RR-W-410, *Wire Rope and Strand*, General Services Administration, Federal Acquisition Service, Arlington, VA

12. Code of Federal Regulations (CFR), Title 29, Subpart B, Chapter XVII, Part 1910, *Occupational Safety and Health Standards*; Part 1915, *Occupational Safety and Health Standards for Shipyard Employment*; Part 1917, *Marine Terminals*; Part 1918, *Safety and Health Regulations for Longshoring*; Part 1919, *Gear Certification*; Part 1926, *Safety and Health Regulations for Construction*; OSHA Directive CPL 02-01-056, *Inspection Procedures for Accessing Communication Towers by Hoist*, Occupational Safety and Health Administration (OSHA), Office of the Federal Register, National Archives and Records Administration, Washington, DC

13. Motor Carrier Safety Regulation, 49 CFR Part 391, Sections 41-43, *Physical Qualifications and Examinations*, U.S. Department of Transportation, Federal Highway Administration, Washington, DC

14. ASME B1.1, *Unified Inch Screw Threads*; ASME B30.1, *Jacks, Industrial Rollers, Air Casters, and Hydraulic Gantries*; B30.2, *Overhead and Gantry Cranes (Top Running Bridge, Single or Multiple Girder, Top Running Trolley Hoist)*; B30.3, *Tower Cranes*; B30.4, *Portal and Pedestal Cranes*; B30.5, *Mobile and Locomotive Cranes*; B30.6, *Derricks*; B30.7, *Winches*; B30.8, *Floating Cranes and Floating Derricks*; B30.9, *Slings*; B30.10, *Hooks*; B30.11, *Monorails and Underhung Cranes*; B30.16, *Overhead Hoists (Underhung)*; B30.17, *Cranes and Monorails (With Underhung Trolley and Hoist)*; B30.20, *Below-the-Hook Lifting Devices*; B30.21, *Lever Hoists*; B30.22, *Articulating Boom Cranes*; B30.23, *Personnel Lifting Systems*; B30.26, *Rigging Hardware*; ASME BTH-1, *Design of Below-the-Hook Lifting Devices*; ASME PASE, *Safety Standard for Portable Automotive Service Equipment*, American Society of Mechanical Engineers, New York, NY

15. ANSI/ASSE A10.22, *Safety Requirements for Rope-Guided & Non-Guided Workers' Hoists*; ANSI/ASSE A10.31, *Safety Requirements, Definitions and Specifications for Digger Derricks*; ANSI/SAIA A92.2, *Vehicle-Mounted Elevating and Rotating Aerial Devices*; ANSI/ITSDF B56.6, *Safety Standard Rough Terrain Forklift Trucks*; ANSI E1.6-1 through E1.6-4, *Entertainment Technology, Powered Hoist Systems*; ANSI/ASSE Z359, *Fall Protection Code*, American National Standards Institute, Washington, DC

16. ASTM A36, *Standard Specification for Carbon Structural Steel*; A275, *Magnetic Particle Inspection of Steel Forgings*; A574, *Standard Specification for Alloy Steel*

Socket-Head Cap Screws; A1023, *Standard Specification for Stranded Carbon Steel Wire Ropes for General Purposes*; E543, *Standard Specification for Agencies Performing Nondestructive Testing*; E1417, *Standard Practice for Liquid Penetrant Examination*; F788, *Standard Specification for Surface Discontinuities of Bolts, Screws, and Studs, Inch and Metric Series*; F812, *Standard Specification for Surface Discontinuities of Nuts, Inch and Metric Series*, ASTM International, West Conshohocken, PA

17. SAE J123, *Surface Discontinuities On Bolts, Screws, And Studs In Fatigue Applications*; SAE J159, *Rated Capacity System*; SAE J765, *Crane Load Stability Test Code*; SAE J995, *Grade 5 Finished Hex Nuts, Medium Carbon Steel Material for Use in Higher Strength Bolting and Anchoring Applications*, Society of Automotive Engineers, Inc., Warrendale, PA

18. AGMA 6001-D97, *Design and Selection of Components for Enclosed Gear Drives*, American Gear Manufacturers Association, Alexandria, VA

19. AISC 360, *Specification for Structural Steel for Buildings*, American Institute for Steel Construction, Chicago, IL

20. WSTDA-RS-1, *Recommended Standard Specification for Synthetic Polyester Roundslings*; Web Sling & Tie Down Association, Bel Air, MD

21. TIA 222G, *Structural Standards for Antenna Supporting Structures and Antennas*; TIA 1019, *Standard for Installation, Alteration & Maintenance of Antenna Supporting Structures and Antennas*; *Base Mounted Hoist Mechanism Design and Use Standard for Lifting Personnel While Working on Telecommunication Structures*, National Association of Tower Erectors, Watertown, SD

22. *The Aluminum Design Manual*, Aluminum Association, Arlington, VA

23. ISO 4309, *Cranes - Wire Ropes - Care and Maintenance, Inspection, and Discard*, International Organization for Standardization (ISO), Geneva, Switzerland

24. EN 13411, *Terminations for Steel Wire Ropes*, European Committee for Standardization, Brussels, Belgium

25. Unified Facilities Guide Specifications (UFGS) 01 35 26, *Governmental Safety Requirements*, Department of the Navy, Naval Facilities Engineering Command, Washington, DC

(INTENTIONALLY LEFT BLANK)

## APPENDIX R - RELATED DOCUMENTS

Note: When referring to the following criteria, the latest edition or revision shall apply.

1. OPNAV Instruction 5450.348, *Mission, Functions and Tasks of the Naval Facilities Engineering Command*, Department of the Navy, Office of the Chief of Naval Operations, OP-45, Washington, D.C.
2. Naval Ships' Technical Manual, S9086-T4-STM-010, Chapter 589, *Cranes*, Department of the Navy, Naval Sea Systems Command, Washington, D.C.
3. NAVSUP Instruction 10490.33, *Material Handling Equipment; Administration and Control of (SUP 0622)*, Department of the Navy, Naval Supply Systems Command, Washington, D.C.
4. ANSI/AWS D1.1, *Structural Welding Code*, American Welding Society, Miami, FL.
5. CMAA #70, *Specifications for Electric Overhead Traveling Cranes*, Crane Manufacturers Association of America, Inc., Charlotte, NC.
6. CMAA #74, *Specifications for Top Running and Under Running Single Girder Electric Traveling Cranes Utilizing Under Running Trolley Hoist*, Crane Manufacturers Association of America, Inc., Charlotte, NC.
7. *Bob's Rigging and Crane Handbook*, Bob De Benidictus, Inc. Pellow Engineering Services, Kansas City, MO.
8. *Crane Handbook*, Construction Safety Association of Ontario, Etobicoke, Ontario, Canada.
9. *Handbook for Riggers*, W.G. Newberry, Canada.
10. *Handbook of Rigging*, McGraw Hill book Company, New York, NY.
11. *IPT's Crane and Rigging Handbook*, IPT Publishing and Training Inc., Alberta, Canada.
12. *Mobile Craning Today*, Operating Engineers Training Institute of Ontario, Ontario, Canada.
13. *Rigging Handbook, The Complete Illustrated Field Reference*, Jerry A. Klinke, ACRA Publishing, Stevensville, MI.
14. *Rigging Manual*, Construction Safety Association of Ontario Etobicoke, Ontario, Canada.
15. Weaver, W.M., *Whiting Crane Handbook*, Whiting Corporation, Harvey, IL.

- | 16. *Wire Rope Users Manual*, Wire Rope Technical Board, Stevensville, MD.
- | 17. *Wire Rope Sling Users Manual*, Wire Rope Technical Board, Stevensville, MD.

## INDEX

Accidents.....	12-1
Action .....	12-3
Categories .....	12-1
Definition .....	12-2, 12-3
Exceptions.....	12-2, 12-3
General.....	12-1
Initial Accident Notification.....	12-3
Investigation and Reporting.....	12-4
Near Misses (See Near Misses and Unplanned Occurrences)	
Report.....	12-6, 12-7
Rigging .....	12-2
Significant.....	12-1
Adverse Operating Conditions .....	6-3, 10-19
Securing of WHE .....	10-19
A-Frames, Portable .....	14-21
Alterations .....	6-1, Appendix O
Additional Requirements and Exemptions.....	6-2
Administrative Related Changes .....	6-3
Booms (See Booms)	
Component Setting Adjustments .....	6-5
Components that Pre-Date NAVCRANECENINST 11450.2 .....	6-7
Environmental Related Changes.....	6-3
Equipment Related Changes.....	6-3
Exceptions.....	6-6
Locally Approved.....	6-2
Mandatory.....	6-1, 6-17
Microprocessor-Controlled Cranes.....	6-5
Minor Alterations Not Affecting Load Bearing, Load Controlling.....	6-2
Modernization /Overhaul Contracts .....	6-2
Navy Crane Center Approved.....	6-1, Appendix O
OEM Changes .....	6-4
OEM's Rated Capacity, Changes to .....	6-2
Operational Related Changes .....	6-3
Records .....	6-8
Replacement Parts .....	6-3
Request Form.....	6-1, 6-14
Rigging Gear and Misc. Equipment.....	14-6
Standing .....	6-2
Ancillary Equipment on Mobile Cranes, Exception for.....	4-6, E-24
Ancillary Equipment Procedure (AEP).....	4-6
Other Uses of .....	4-8
Annual Certification .....	4-2
Applicable Equipment.....	1-2
Applicable Sections.....	1-2
Application Form for Crane Operator License.....	8-6, 8-11
Area Safety .....	9-3, 9-6

Articulating Boom Crane .....	6-7, E-31
Assembly/Disassembly (Including Re-Reeving) of Cranes .....	10-12
Lattice Boom, Special Requirements for .....	10-15
Near Overhead Power Lines .....	10-15
Balance Point Loads .....	6-9
Barge Deck, Sizing and Analyzing .....	4-14
Battery .....	9-4
Below-the-Hook-Lifting Devices .....	4-13, 14-21
Requiring Assembly and Installation.....	14-21
Binding Conditions, Prevention of .....	10-8
Block .....	9-2, 14-17, 14-20
Booms .....	9-3, 10-23, E-7
Angle .....	4-7, 4-8, 9-5, 9-6
Articulating Boom .....	6-7
Damaged Crane Booms .....	6-7
Foot Brake Test .....	E-17
Lacing.....	6-7
Length Indicator.....	4-8, 6-12
Main Chord.....	6-7
Stops .....	9-3
Telescoping.....	6-7
Test .....	E-17
Brakes .....	9-4, 9-6
Servicing/Maintenance, Special Requirements for .....	3-6
Bumpers.....	9-3
Capacity Overload Protection.....	6-13
Capacity Ratings/Limitations .....	6-8
Capsized Hook.....	14-25
Cargo Transfer Cranes.....	4-12
Carrier Frame.....	9-2
Category 1 Cranes .....	1-2, 3-4, Appendices C, E, J
Category 2 Cranes .....	1-2, 3-5, 4-7, Appendices D, E, K
Category 3 Cranes .....	1-2, 3-5, 4-7, Appendices D, E, K
Category 4 Cranes .....	1-3, 3-4, 4-7, Appendices C, E, J
Caution Tags.....	9-4, 9-5, 9-7
Certification of Newly Procured Cranes.....	4-4
Certification Personnel, Designation of .....	4-1
Certification Program.....	4-1
Action .....	4-1
Certifying Official .....	4-1
Date.....	4-1
Frequency.....	4-1
Requirements .....	4-1
Chain .....	9-6
Chain Slings	
Inspection Criteria.....	14-9
Rejection Criteria .....	14-9
Use Criteria.....	14-9



Choker Hitch .....	14-12, 14-13
Clarification, Request for .....	1-5
Clearances .....	6-13
Electrical Power Lines .....	10-20
Obstructions .....	10-20
Clutches .....	9-4, 9-6
Communications During Lifts .....	10-10
Communications Towers, Operations Near.....	10-22
Complex Lifts .....	10-6
Identification and Procedures .....	10-7
Component Setting Adjustments .....	6-5, O-2
Compressor.....	9-4
Condition Inspection.....	4-10
Construction Equipment.....	10-25, 11-1
Container Spreaders .....	4-13
Continuance for Productive Service for Category 2 and 3 Cranes, Exception for .....	4-8
Contracting Officer Responsibilities.....	11-5
Contractor Crane and Rigging Gear Requirements.....	Appendix P
Contractor Operated Cranes .....	11-1
Contractor Personnel .....	8-1
Certification Requirements .....	8-1
Controlled Disassembly and Re-assembly, Exception for.....	4-5
Controls and Control Action .....	9-6
Counterweights on Mobile Cranes, Exception for .....	4-7
Courses for WHE Job Functions .....	7-4, 7-5
Covered Equipment (Rigging Gear and Misc. Equipment).....	14-1
Crane Accidents (See Accident)	
Crane Alterations (See Alterations)	
Crane Familiarity Checkouts .....	8-2
Crane Operating Envelope.....	12-1
Crane Safety Advisories.....	2-3
Cranes and Derricks.....	4-13
Cranes Owned and Operated by BOS Contractors.....	11-6
Crane Team .....	10-1
Crane Test Procedures .....	Appendix E
Crane Walker .....	10-2
Damaged Crane Booms.....	6-7
Danger/Caution Tags .....	9-4, 9-5, 9-7
Deferral of Maintenance Inspections, Lubrication, or Servicing/Maintenance .....	3-6
Deferral of Work .....	3-4
Deficiencies.....	9-9, 14-6
Reportable.....	3-1
Derricks, Special Boom Securement Requirement for Out-of-Service .....	3-6
Designated Spotter.....	10-21
Designation of Certifying Personnel .....	4-1
Design Standards, Components that Pre-Date NAVCRANECENINST 1140.2.....	6-8
Deviation, Request for.....	1-5
Diesel Engine and Generator .....	9-4

Disassembly of Cranes (See Assembly/Disassembly (Including Re-Reeving) of Cranes)	
Documentation .....	3-5
Downrating the Mobile Crane .....	4-14
Duplex (Sister) Hook with Hole for Shackle Pin .....	E-6
Dynamic Test .....	Appendix E
Electrical Power Lines	
Danger Zone.....	10-30
Operation Below .....	10-22
Proper Clearance .....	10-20
Traveling or Transiting Below .....	10-22
Electric Motors .....	9-4
Electromagnetic Interference Susceptibility.....	10-12
Emergency Brakes on Wire Rope Drums (Shaft Failure Detection System) ...	Appendix E
Emergency Stop (e.g., Power-Off Button).....	9-7
End Connections	
Approved Wire Rope End Connections .....	6-4
Other End Connections and Exceptions.....	6-12
Poured Socket.....	6-10
Proof Load Requirements.....	6-12
Swaged Connections.....	6-10
Wedge Sockets .....	6-11
Wire Rope.....	6-10
Engines .....	9-4
Entertainment Hoists .....	13-1
Accidents, Near Misses, and Unplanned Events .....	13-2
Alterations.....	13-1
Criteria .....	13-1
Identification .....	13-1
Procurement.....	13-2
Review of Existing .....	13-1
Environmental, Administrative, and Operational Related Changes.....	6-3
Environmental Considerations, Indoor Operations with Mobile Equipment.....	2-4
Equipment for Cranes Used in Construction .....	10-3
Equipment Deficiency Memoranda .....	2-3
Equipment History File .....	5-1
Equipment Related Changes .....	6-3
Equipment Tagging Procedures.....	2-3
Equipment Weights and Marking .....	10-9
Evaluations.....	2-1
Examiner, Performance.....	8-8
Exceptions, Military Unique Operation .....	1-1
Extension of Certification for Emergent Conditions, Exception for .....	4-5
Extension Pins .....	4-7
Eye Bolts (See Shackles, Links, Rings, Swivels, Eye Bolts, etc.)	
Eye Nuts (See Shackles, Links, Rings, Swivels, Eye Bolts, etc.)	
Fabrication to Original Specifications .....	6-4
Fire Extinguishers.....	9-4, 9-5
Fleeting Sheave .....	9-7

Floating Cranes, Additional Inspections for .....	4-10
Floor Cranes .....	14-21
Training .....	7-3
Gantry .....	9-3
Portable .....	14-21
Gauges.....	9-5
General Operating Precautions.....	10-11
General Safety Devices.....	9-7, 10-3
Glass .....	9-4
Glossary .....	Appendix A
Ground Conditions .....	10-19
Handrails .....	9-3
Hand Signals.....	10-26
Hardware.....	9-2
Hazards, Potential.....	10-13
Hoist Brakes, Adjustments .....	4-3
Hoisting and Lowering the Load.....	10-23
Hoists	
Auxiliary .....	E-13
Boom .....	E-17
Entertainment (See Entertainment Hoists)	
Lever .....	14-21
Load Test .....	E-9
No-Load Test.....	E-6
Portable Manual .....	7-3, 14-5, 14-21
Whip .....	E-15
Hoist Roll Back.....	4-12
Hook .....	9-2, 14-17
Annual Visual Inspection .....	E-2
Duplex (Sister) Hook with Hole for Shackle Pin.....	E-6
Identification .....	E-4
Inspection and Testing of Hook Assemblies.....	E-1
Use Criteria.....	14-20
Host Activity Responsibilities.....	11-6
Housekeeping .....	9-4, 9-5
Implementing Instructions .....	2-1
Identification .....	6-8
OEM .....	14-18
Indicator Lights.....	9-5
Industry Consensus Standard Equivalents.....	6-3
Initial Accident Notification .....	12-3
Inspection Action, Lubrication and Servicing.....	3-6
Inspection and Corrective Action.....	3-2
Inspection, Deferral of (Rigging Gear and Misc. Equipment) .....	14-6
Inspection of Work.....	3-4
Inspection Specifications.....	3-1
Instructions, Required .....	9-5, 9-7

Insulated Links .....	14-23
Inspection and Testing of .....	E-5
Interchangeability .....	6-3
Interim Recertification.....	4-2
Requirements for WHE in Relocatable Buildings.....	4-9
Introduction, Manual.....	1-1
Jib .....	9-3, E-9
Joint Bases.....	1-4, 14-1, 14-2
Ladders .....	9-3
Lashing.....	14-22
Load Test .....	14-5
Leaks .....	9-3, 9-4
Level Indicator (Mobile Cranes) .....	9-5
Levelness .....	10-19
License, Crane Operator .....	8-13
Applicability.....	8-1
Application Form.....	8-6, 8-11
Attachment .....	8-8
Authorized Operation.....	8-1
Capacity .....	8-8
Contractor.....	8-1
Crane Familiarity Checkouts.....	8-2
Crane Safety Course .....	8-4
Crane Type.....	8-8
Date Expires.....	8-8
Date Issued .....	8-8
Disqualification, Grounds for.....	8-3
Examiner .....	8-8
Files.....	8-9
Form and Content.....	8-7
Grading of Examinations .....	8-4
Identification .....	8-7
Language Ability .....	8-3
Name.....	8-7
Non-Cab Operated Category 3.....	8-1
Notation on Test Forms .....	8-6
Number.....	8-7
Operation by Maintenance, Inspection, and Engineering Personnel .....	8-2
Other Qualification.....	8-3
Performance Tests .....	8-4, J-1, K-1, L-1
Personal and Physical Qualifications.....	8-2
Physical Faculties and Fitness .....	8-2
Physical Qualification Requirements, Deviation from .....	8-3
Possession of .....	8-2
Qualified to Operate .....	8-7, 8-13
Record.....	8-8, 8-14
Renewal .....	8-8
Restrictions.....	8-8

Revocation.....	8-9
Safety Instruction.....	8-4
Signature of Issuing Official and Operator .....	8-8
Significance .....	8-1
Suspension.....	8-9
Test Equipment .....	8-6
Test Facilities.....	8-6
Test Reports .....	8-3
Type of Controls .....	8-8
Use and Limitations of .....	8-1
Written Examinations.....	8-4
License Program Personnel, Designation of .....	8-2
Lifting of Personnel.....	10-15
Lifting Operations .....	10-6
Lift Safety, Personnel Platform.....	10-18
Lights .....	9-4
Limit Switches .....	9-6
No-Load Test.....	E-6
Links .....	14-17
Insulated (See Insulated Links)	
List and Trim Indicator (Floating Cranes) .....	4-15, 9-5
Load	
Control.....	10-24
Hoisting and Lowering .....	10-23
Rotating .....	10-23
Load Bearing Parts.....	9-8, F-1
Load Chain.....	9-3
Load Charts, Posting of.....	4-15
Load Controlling Parts.....	9-8, F-2
Load Indicating Device (LID) .....	10-8
Portable (Dynamometers, Load Cells, Crane Scales, etc.) .....	14-22
Load/Moment Indicating Devices .....	4-8
Load Rating.....	6-8
Charts.....	9-5
Load's Weight, Estimate of.....	10-8
Load Test .....	4-11, 4-14, 6-6, E-9
Articulating Boom Cranes .....	E-31
Bridge/Overhead Traveling, Wall, Gantry, and Semi-Gantry Cranes.....	E-35
Exceptions.....	6-6
Hammerhead Cranes .....	E-18
Horizontal Movement Function .....	4-3
Jib, Pillar, Pillar Jib, Monorail, Davit, and Fixed Overhead Hoist .....	E-39
Lashing.....	14-5
Lattice Boom Cranes .....	E-25
Mobile Boat Hoists .....	E-42
Mobile Cranes, Aircraft Crash Cranes, and Category 4 Cranes .....	E-18, E-20
No-Load Test (See No-Load Test)	
Periodic Load Testing.....	14-5, 14-8

Portal and Floating Cranes.....	E-9
Prerequisites.....	E-5, E-6
Requirements .....	4-2
Rigging Assemblies .....	14-4
Sling .....	14-11
Tower Cranes and Derricks.....	E-17
Loading in Excess of Certified or Test Capacity.....	4-9
Locally Approved Crane Alterations .....	6-2
Lockout/Tagout Procedures .....	2-3
Loss of Load, Prevention of.....	10-8
Lubrication.....	3-5, 9-4
Lubrication and Servicing/Maintenance.....	3-5
Luffing Drum Pawl (Dog) .....	E-8
Lugs .....	14-21
Machinery House/Machinery Area Check .....	9-4
Maintenance Inspection Specification and Record	
Category 1 and 4 Cranes .....	Appendix C
Category 2 and 3 Cranes .....	Appendix D
Maintenance Inspections.....	3-1
Types and Frequency.....	3-4
Maintenance Precautions.....	3-3
Maintenance, Repairs, and Alterations (Rigging Gear and Misc. Equipment).....	14-6
Major Deficiency.....	4-10
Mandatory Crane Alterations.....	6-1, 6-17
Margin of Stability.....	6-8
Materials Handling Equipment (MHE) .....	10-25, 11-1
Metal Mesh Slings.....	14-14
Inspection Criteria.....	14-14
Rejection Criteria .....	14-14
Use Criteria.....	14-14
Metrics.....	2-2
Microprocessor-Controlled Cranes	
Alterations and Requirements for .....	6-5
Exceptions.....	6-6
Procedures for Maintaining.....	3-6
Special Requirements for Brake Servicing/Maintenance.....	3-6
Mobile Crane Configuration.....	10-9
Mobile Cranes Temporarily Mounted on Barges or Other Floating Structures ..	4-14, E-19
Modernization.....	6-2
Monitor (Observation) Program.....	2-2
Multiple-Crane Lifts, Communication Requirements for .....	10-10
Multi-Purpose Machines.....	10-25, 11-1
Navy Owned Cranes, Third Party Certification.....	4-13, M-1
Near Misses and Unplanned Occurrences.....	12-4, 12-5
Reporting of.....	12-5, 12-8, 12-9
No-Load Test	
Articulating Boom Cranes.....	E-31
Bridge/Overhead Traveling, Wall, Gantry, and Semi-Gantry Cranes.....	E-34

Jib, Pillar, Pillar Jib, Monorail, Davit, and Fixed Overhead Hoist .....	E-39
Licenses .....	8-2
Hammerhead Cranes .....	E-18
Lattice Boom Cranes .....	E-24
Mobile Boat Hoists.....	E-42
Mobile Cranes, Aircraft Crash Cranes, and Category 4 Cranes .....	E-19
Portal and Floating Cranes.....	E-6
Tower Cranes and Derricks.....	E-17
Non-Applicable Equipment.....	1-4
Non-Complex Lifts.....	10-8
Nondestructive Test (NDT)	
Hook.....	E-3
Insulated Links.....	E-5
Quality Assurance Requirements .....	E-4
Non-Navy Owned	
Cranes and Rigging Equipment at Naval Activities.....	11-6
Operated WHE Inspected, Maintained, Tested, or Certified by Navy Personnel.....	11-5
Non-Shouldered Eye Bolt (See Shackles, Links, Rings, Swivels, Eye Bolts, etc.)	
OEM Changes Requiring Alteration Approval .....	6-4
OEM Identification.....	14-18
OEM's Operation Manual.....	10-5
OEM's Rated Capacity, Changes to.....	6-2
OEM's Supplemental Safety Information.....	10-5
OEM's Supplemental Service Information.....	3-2
Operating Envelope.....	12-1
Operating Precautions, General.....	10-11
Operation	
Additional Measures .....	10-21
Communication Towers.....	10-22
Power Line.....	10-22
Operational Check.....	9-6
Operational Requirements .....	4-15
Operational Risk Management (ORM) .....	10-1
Operational Safety Devices.....	9-7, 9-8, 10-3, F-2
Operation Safety Procedures.....	10-1
Operator Cab Check .....	9-5
Operator Checks .....	9-1
Deficiencies .....	9-8, 9-9
Documentation .....	9-1
Machinery House.....	9-4
Pre-Use Check .....	9-1, 9-7, 9-8
Procedure .....	9-1
Special Instructions .....	9-1
Walk Around Check.....	9-2
Operator Condition.....	10-2
Operator-Detected Deficiencies .....	9-8
Other Deficiencies .....	9-9
Operator Licensing (See License, Crane operator)	

Operator Responsibilities .....	10-2
Operator's Daily Checklist (ODCL).....	9-10
Operator Turnover With a Suspended Load.....	10-24
Outriggers/Stabilizers .....	9-3, 9-6
Requirements .....	10-14
Setup .....	10-19
Outrigger Extension Pins, Exception for.....	4-7
Outrigger Pads on Mobile Cranes, Exception for .....	4-7
Overhaul Contracts .....	6-2
Overload, Prevention of.....	10-8
Overload Indicators .....	4-8
Over the Side Lifting Limitation .....	6-10
Padeyes/Lugs, Portable .....	14-21
Pawls .....	9-4
Pendants .....	9-3
Performance Tests for Operators .....	8-4, J-1, K-1, L-1
Evaluating and Grading .....	8-6
Periodic Inspection (Rigging Gear and Misc. Equipment) .....	14-5, 14-8
Periodic Load Testing.....	14-5, 14-8
Personnel Competencies .....	Appendix N
Personnel Platform Loading .....	10-16
Lift Safety .....	10-18
Operation.....	10-16
Proof Test.....	10-17
Trial Lift.....	10-16
Portable	
A-Frames.....	14-21
Floor Cranes.....	7-3
Gantries.....	14-21
Hoists .....	7-3, 14-5, 14-21
Load Indicating Devices .....	14-22
Padeyes/Lugs.....	14-21
Positioning the Crane for Stability .....	10-19
Post-Assembly Inspection Requirements.....	10-15
Poured Socket End Connections .....	6-10
Power Lines (See Electrical Power Lines)	
Pre-Lift Preparation .....	10-8
Pre-Use and Post-Use Inspections (Rigging Gear and Misc. Equipment).....	14-5
Pre-Use Check (Category 1, 2, 4, and Cab Operated Category 3 Cranes).....	9-1
Pre-Use Check (Non-Cab Operated Category 3 Cranes) .....	9-8
Pre-Use Checks for Floating Cranes, Including Mobile Cranes on Barges .....	9-7
Prevention .....	10-8
Procedures for Maintaining Microprocessor Controlled Crane Systems .....	3-6
Procurement and Design Requirements .....	14-2
Proof Load Requirements .....	6-12
Proof Test, Personnel Platform .....	10-17
Purpose of Manual .....	1-1
Quadrennial Load Test.....	4-2



Qualifications of Personnel.....	1-4, 7-1
Rated Capacity.....	6-9
Changes to OEM's Rated Capacity .....	6-2
Radius Indicator .....	4-15, 9-5, 9-6
Rails .....	E-6
Ratchets.....	9-4
Recalibration, Exceptions for.....	4-8
Recertification Not Required .....	4-3
Recertification Requirements, Exception.....	4-15
Record Formats .....	1-5
Record Keeping (Rigging Gear and Misc. Equipment).....	14-2
Reeving.....	9-2
References.....	Appendix Q
Related Documents.....	Appendix R
Rented or Leased Cranes or Other WHE.....	11-6
Repairs.....	6-4
Rigging Gear and Misc. Equipment.....	14-6, 14-18
Replacement and Modernization Plan.....	2-3
Replacement Parts.....	3-3, 6-3
Requests for Clarification, Deviation, or Revision Instructions .....	1-5
Resin Sockets .....	6-10
Reverse Engineering.....	6-4
Revision, Request for .....	1-5
Rigger .....	10-2
Rigger-in-Charge.....	10-1
Rigging Accidents .....	12-2
Rigging Equipment.....	11-1
Owned and Operated by BOS Contractors .....	11-6
Rigging Gear and Miscellaneous Equipment .....	14-1, E-5
Covered Equipment.....	14-1
Deficiencies .....	14-6
Emergent Conditions .....	14-5
Inspection .....	14-5, 14-6
Lashing.....	14-5
Load Test .....	14-4, 14-5
Maintenance, Repairs, and Alterations.....	14-6
Markings.....	14-2, 14-3
Practices.....	14-24
Procurement and Design Requirements.....	14-2
Record Keeping.....	14-2
Repairs .....	14-6, 14-18
Requirements .....	Appendix P
Rigging Assemblies .....	14-4
Safe Capacity of Equipment.....	14-26
Safety .....	14-25
Slings.....	14-6
Test and Inspection Program.....	14-3
Rigging Gear used in Cargo Transfer.....	4-13

Rigging Operations, Critical Non-Crane .....	14-23
Requirements .....	14-24
Rigging Practices .....	14-24
Rigging Safety, General .....	14-25
Rings (See Shackles, Links, Rings, Swivels, Eye Bolts, etc.)	
Rotate Base .....	9-2
Rotating the Load .....	10-23
Rotation .....	E-8, E-17
Rotation Lock (Wind Lock, Spud Lock) .....	E-8
Safety Course for Operators .....	7-2, 7-3, 7-5, 8-4
Safety Devices .....	10-3
Safety Guards and Plates .....	9-2
Safety Messages .....	2-3
Section 13 .....	1-3
Section 14 .....	1-3
Securing of WHE for Adverse Weather Conditions .....	10-19
Securing/Transiting the Crane .....	10-24
Self-Assessments .....	2-1
Servicing/Maintenance .....	3-5
Shackles, Links, Rings, Swivels, Eye Bolts, etc. ....	14-17
Blocks .....	9-2, 14-17, 14-20
General Inspection .....	14-17
Hook (See Hook)	
Non-Shouldered Eye Bolt Use Criteria .....	14-19
Shoulder Eye Bolt Use Criteria .....	14-18
Swivel Hoist Ring Use Criteria .....	14-20
Turnbuckle Use Criteria .....	14-20
Use Criteria .....	14-18
Sheaves .....	9-3
Shoulder Eye Bolt (Shackles, Links, Rings, Swivels, Eye Bolts, etc.)	
Signal Person .....	10-2
Significant Accident .....	12-1
Slack Line Conditions .....	10-9
Slings .....	14-6, 14-9
Chain Slings (See Chain Slings)	
Choker Hitch, Rated Loads .....	14-12
Load Test .....	14-11
Marking and Usage .....	14-11
Metal Mesh Slings (See Metal Mesh Slings)	
Synthetic Rope Slings (See Synthetic Rope Slings)	
Synthetic Roundslings (See Synthetic Roundslings)	
Synthetic Webbing Slings (See Synthetic Webbing Slings)	
Wire Rope Slings (See Wire Rope Slings)	
Specification Data Sheets .....	3-2
Spotter .....	10-21
Sprockets .....	9-3

Stability	
Other Factors.....	6-9
Test .....	E-9, E-16
Testing and Load Rating (Used and Altered Cranes) .....	6-8
Stabilizers (See Outriggers/Stabilizers)	
Standing Crane Alterations .....	6-2
Static Test .....	Appendix E
Stops .....	9-3
Structures, Crane .....	14-5
Supervisor or Working Leader Review and Oversight.....	10-7
Suspended Load, Operator Turnover.....	10-24
Swaged Connections .....	6-10
Swivel Hoist Rings (See Shackles, Links, Rings, Swivels, Eye Bolts, etc.)	
Swivels (See Shackles, Links, Rings, Swivels, Eye Bolts, etc.)	
Synthetic Rope Slings .....	14-15
Inspection Criteria.....	14-15
Rejection Criteria .....	14-15
Use Criteria.....	14-15
Synthetic Roundslings.....	14-16
Inspection Criteria.....	14-16
Rejection Criteria .....	14-16
Use Criteria.....	14-17
Synthetic Slings.....	14-14
Synthetic Webbing Slings.....	14-16
Inspection Criteria.....	14-16
Rejection Criteria .....	14-16
Use Criteria.....	14-16
Technical Bulletin .....	6-4
Test Area.....	E-5
Test Loads .....	4-11, 14-8, Appendix E
Test Speeds .....	E-6
Test Weights .....	4-11, E-5
Third Party Certification.....	4-12, 4-15, M-1
Tires .....	9-3
Tracks .....	9-3, E-6
Training and Qualification .....	7-1
Courses for WHE Job Functions .....	7-4, 7-5
Crane Operators Licensed Prior to 2001 .....	7-2
Exceptions.....	7-2
Mechanics, Electricians, Inspectors, and Load Test Directors .....	7-3
Operation/Rigging in a Training Environment.....	7-3
Operator License Candidates .....	7-2
Portable Manual and Powered Hoists and Portable Floor Cranes.....	7-3
Record Keeping.....	7-3
Refresher.....	7-2
Rigging Gear and Miscellaneous Equipment.....	7-3
Supervisors.....	7-3
Travel Components.....	4-3

Traveling the Crane.....	10-23
Trial Lift, Personnel Platform .....	10-16
Trim Indicator .....	9-5
Trolleys.....	14-21
Truck, Rough-Terrain, All-Terrain, and Crawler Cranes .....	6-9
Turnbuckles (See Shackles, Links, Rings, Swivels, Eye Bolts, etc.)	
Type “A” Inspection .....	3-4, Appendix C
Type “B” Inspection .....	3-4, Appendix C
Type “C” Inspection.....	3-4, Appendix C
Types and Capacities of Cranes .....	8-5
Types of Weight Handling Equipment .....	Appendix B
Understanding the Crane .....	10-2
Unplanned Occurrences (See Near Misses and Unplanned Occurrences)	
Unusual Noises .....	9-6
Vibration Analysis.....	5-2, Appendices C, D
Visibility .....	9-5
Voiding of Certifications.....	4-4
Walk Around Check.....	9-2
Walkways .....	9-3
Warning Lights .....	9-5
Wedge Sockets .....	6-11
Special Precautions.....	6-11
Weight Handling Equipment Deficiency Report Instructions .....	3-8
Weight Handling Program Manager .....	2-1
Designation.....	2-1
Welding on Loads Attached to the Crane.....	10-15
Wheels .....	9-3
WHE, Joint Bases .....	1-4
WHE, Other Military Services, Other Government Agencies.....	1-4
Winches and Trolleys .....	14-21
Wind Locks.....	9-3, E-8
Wind Speed Indicator .....	4-15
Wire Rope .....	9-2, 9-6
End Connections .....	6-10
Inspection .....	6-10
Rejection Criteria .....	Appendices C-14, D-8
Test for New Rope.....	E-30
Wire Rope Slings	
Braided .....	14-14
Efficiency Factors .....	14-11
Endless Slings (Grommets).....	14-10, 14-11
Inspection Criteria.....	14-9
Rejection Criteria .....	14-9
Use Criteria.....	14-10
Work Area Control.....	10-12
Work Documents.....	3-2
Working Leader .....	10-7
Work Zone.....	10-20

Written Examinations for Operators .....	8-4
Evaluation and Scoring.....	8-4
Specific Crane .....	8-4

(INTENTIONALLY LEFT BLANK)